

## 4-MD-HC SERIES - 1/25 HP

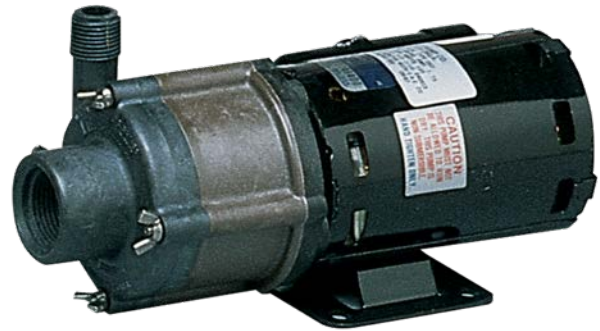
### APPLICATIONS

The Little Giant MD-HC series features leakproof, seal-less magnetic drives and are designed for in-line, non-submersible use. Volute, magnet housing and impeller are glass-filled PPS for excellent chemical resistance. Ceramic shaft and thrust washers are 99.5% pure alumina for excellent wear and trouble-free service. Pumping heads are easily rotated, cleaned or serviced with no special tools required. Spindle shaft is supported at both ends to prevent impeller damage during start-up and stop of pump.

### FEATURES

- Thermally protected, open, fan-cooled, split capacitor motor
- Impeller magnet is GFPPS encapsulated and includes pure carbon bushing
- Run-dry capability up to 8 hours
- Sleeve bearings
- 6' power cord with 3-prong plug
- Specific gravity to 1.1
- Fluid temperature to 200°F
- Ambient air temperature to 77°F

NOTE: Consult your local distributor or the factory for applications with higher ambient temperatures, specific gravities and viscosities.

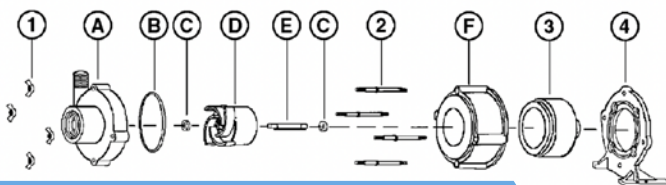


4-MD-HC



### SERIES SPECIFICATIONS

Model No.	Item No.	Intake Size	Discharge Size	Listing(s)	HP	Volts	Hertz	Amps	Watts	Performance (GPM@Head)					Shutoff		Power Cord (ft.)	Weight (lbs.)
										1'	3'	6'	9'	15'	Ft.	P.S.I.		
4-MD-HC	578603	1/2" FNPT	1/2" MNPT	UR/C-CSA	1/25	115	60	1.3	94	8.3	7.6	7.1	5.9	1.7	16.2	7.0	6	7.20
4-MD-HC	578697	1/2" FNPT	1/2" MNPT	Pump Head Less Motor													2.00	



### REPLACEMENT PARTS

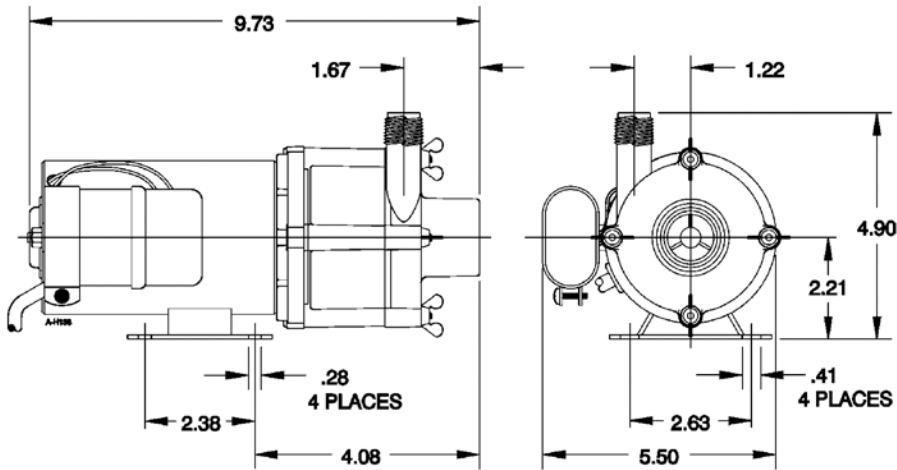
Item	Part No.	Description
A	182011	Volute
B	924008	O-Ring
C	921077	Thrust washer
D	182134	Impeller/Bushing
E	180057	Shaft
F	182006	Housing
1	920003	Wing nut
2	911403	Stud, collared
3	180602	Drive Magnet
4	180048	Mounting Bracket

NOTE: Parts A-F contact fluid

# CHEMICAL TRANSFER PUMPS

## 4-MD-HC SERIES - 1/25 HP

### ENGINEERING DATA



NOTE: Designs and dimensions may vary for various reasons (i.e. type of motor). This information should be used as general guide rather than an unqualified guarantee. Specifications are subject to change without prior notice.

### PERFORMANCE DATA

