

# Liberty Pumps®

## X-Series™

### XLE100-Series

1 hp

### XLE150-Series

1-1/2 hp

**Explosion-proof  
Submersible  
Sewage Pumps  
for Hazardous  
Locations**

**Class 1, Division 1  
Groups C & D**

**Class 1, Zone 1 and  
Group IIA and IIB**

**Features:**

- Dual 2" or 3" discharge
- 2" solids-handling
- Heavy cast iron construction
- Dual shaft seals
- Seal fail sensor
- 2 vane semi-open cast iron impeller (bronze optional)
- 416 stainless steel rotor shaft
- 1-1/2" threads provided at power cords for optional conduit connection

For use with ISS-Series and  
ISD-Series intrinsically safe panels.

Consult factory for proper panel sizing.



Patent: See  
[www.libertypumps.com/patents](http://www.libertypumps.com/patents)



**Dual Sized Discharge  
2" or 3"**



innovate. evolve.

# XLE100-SERIES      XLE150-SERIES

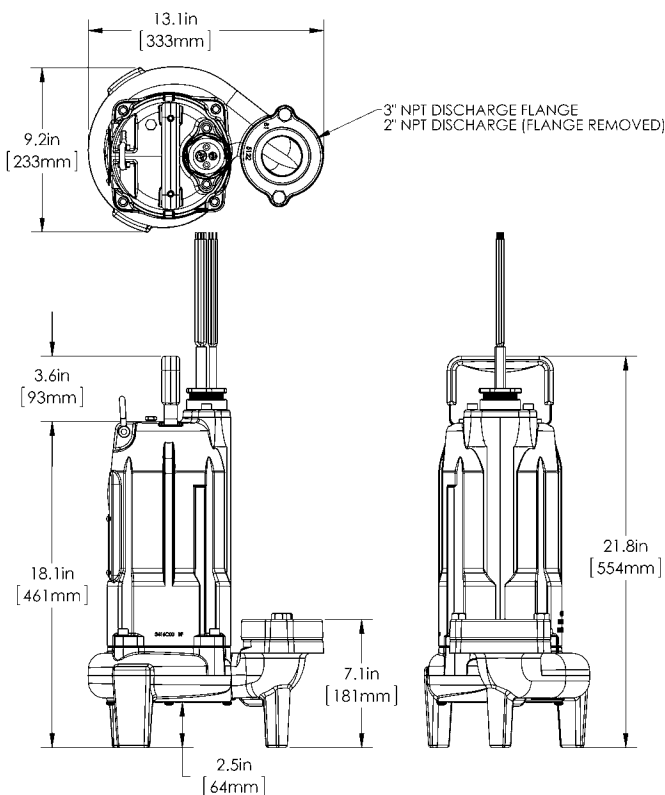
1 hp                                  1-1/2 hp

## TECHNICAL SPECIFICATIONS

MODELS	HP	VOLTS	HZ	PHASE	FULL LOAD AMPS	CAPACITOR KIT	DISCHARGE SIZE	CORD LENGTH	WEIGHT (Lbs.)
XLE102M-2	1	208/230	60	1	11.5	K001585	2" & 3"	25'	102
XLE103M-2	1	208/230	60	3	8	N/A	2" & 3"	25'	102
XLE104M-2	1	440-480	60	3	4.2	N/A	2" & 3"	25'	102
XLE105M-2	1	575	60	3	3	N/A	2" & 3"	25'	102
XLE152M-2	1-1/2	208/230	60	1	12.5	K001585	2" & 3"	25'	102
XLE153M-2	1-1/2	208/230	60	3	9	N/A	2" & 3"	25'	102
XLE154M-2	1-1/2	440-480	60	3	4	N/A	2" & 3"	25'	102
XLE155M-2	1-1/2	575	60	3	3.2	N/A	2" & 3"	25'	102

25' cords are standard. For 35' or 50' cords, add "-3" or "-5" suffix respectively. Example: XLE152M-5  
 Cast iron impeller standard. For bronze impeller add "B" to model number. Example: XLE102BM-2  
 NOTE: 3-phase models require a control panel with overloads properly sized for the pump. See intrinsically safe panels ISS-Series (simplex) or ISD-Series (duplex) literature for complete panel information. Consult factory for proper panel sizing.

### DIMENSIONAL DATA:

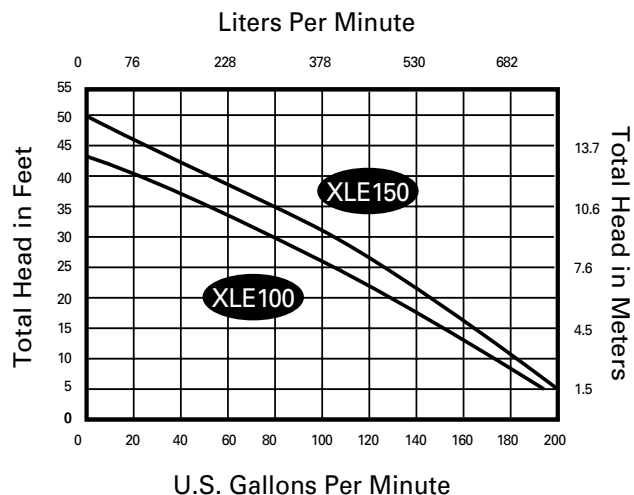


### CONSTRUCTION:

- Pump and Motor Housing:** Heavy cast iron - Class 30
- Impeller:** Cast Iron (standard), Bronze option available (order "B" models)
- Motor:** Submersible type, oil-filled, hermetically sealed
- Bearings:** Ball bearings upper and lower
- Thermal Protection:** Single-phase models - built into motor windings with automatic reset. Three-phase models require overloads in the control panel
- Capacitor:** External run capacitor required in panel
- Shaft Seal:** Dual seals, silicon carbide with BUNA N elastomers and stainless steel housing
- Seal Fail Sensor:** Integral moisture sensing probe (functionality requires indicator in panel - see ISS or ISD-Series panels)
- Maximum Fluid Temperature:** 104° F (40° C)

### PERFORMANCE CURVE

60Hz. 3450 RPM



Specifications are subject to change without notice.