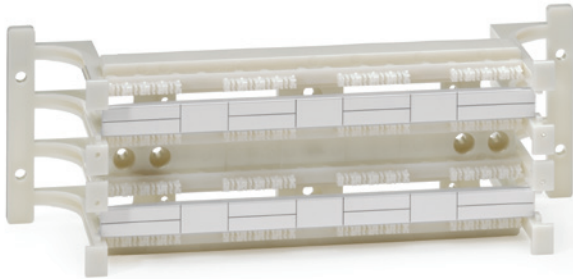


Cat 6A 110-Style Wiring Block

APPLICATION

The Leviton Cat 6A 110-Style Block provides a centralized location to easily terminate 22-26 gauge solid copper wire for telephone, voice, and data applications. The block meets Category 6A component requirements.



SPECIFICATION

The cross-connect shall be Category 6A 110-style wiring bases, available for wall mount. They shall provide 110 terminations supporting voice, data, video, and Category 6A data applications, including high megabit and shared-sheath applications when used with Category 6A rated cabling. The components shall be UL listed and ANSI/TIA-568.2-D compliant. Bases shall support 64-pair densities with provision for ANSI/TIA-606-C compliant labeling. Plastic bases and blocks must be made of fire-retardant plastic rated UL 94V-0.

FEATURES

- Supports high-frequency data signals up to 500 MHz
- Can be used as a consolidation point (CP) in a TIA defined 90 meter permanent link
- Designed to mitigate alien crosstalk (AXT)
- Independently tested and verified to meet all TIA link and channel requirements
- Available in 64-pair wall-mount block

DESIGN CONSIDERATIONS

- Use where space limitations and low cost are factors
- Includes labels, label holders, and 16 Category 6A C-4 clips
- Port ID options: Use the label strips and holders provided

STANDARDS COMPLIANCE

Meets or exceeds all applicable standards: UL listed components; complies with ANSI/TIA-568.2-D component requirements; and supports emerging PoE standards such as the draft IEEE 802.3bt, including 100 watts

COUNTRY OF ORIGIN

Taiwan

PHYSICAL SPECIFICATIONS

Dimensions: See page two

Materials: 110 wiring bases are made of fire-retardant plastic rated UL 94V-0; C-4 clips are made of fire-retardant plastic rated UL 94V-0 with solder plated IDCs

WARRANTY INFORMATION

For a copy of Leviton product warranties, visit www.leviton.com/warranty.

Leviton Network Solutions

2222 - 222nd St. SE
Bothell, WA 98021-4416

tel 1-800-824-3005
tel +1-425-486-2222
appeng@leviton.com
www.leviton.com

Asia / Pacific

T +1.631.812.6228
E infoasean@leviton.com

Europe

T +44.0.1592.772124
E customerserviceeu@leviton.com

Canada

T +1.514.954.1840
E pcservice@leviton.com

India / SAARC

T +971.4.886.4722
E infoindia@leviton.com

Caribbean

T +1.954.593.1896
E infocaribbean@leviton.com

Mexico

T +52.55.5082.1040
E lsamarketing@leviton.com

China

T +852.2774.9876
E infochina@leviton.com

Middle East & Africa

T +971.4.247.9800
E lmeinfo@leviton.com

Colombia

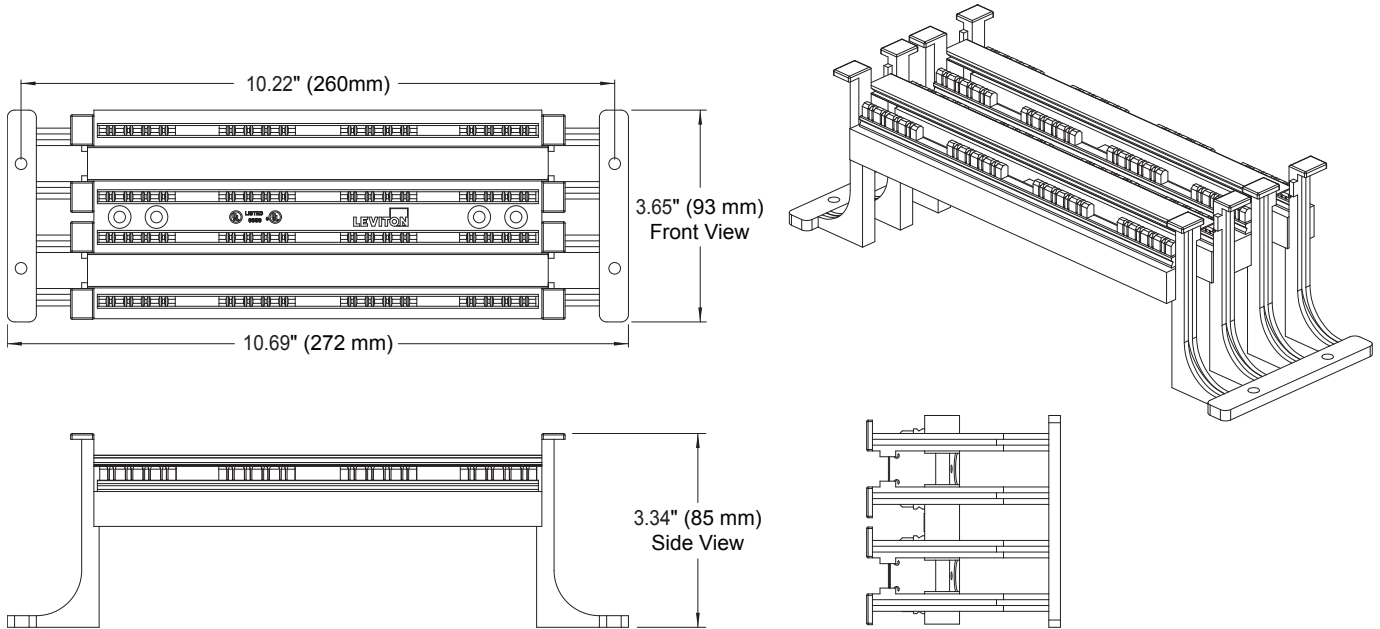
T +57.1.743.6045
E infocolombia@leviton.com

South Korea

T +82.2.3273.9963
E infokorea@leviton.com

ELECTRONIC FILES

For CAD files, typical specs, or technical drawings (.DXF, .DWG), visit www.leviton.com.



41D6A-1F4

PART NUMBERS	
Description	Part No.
Cat 6A 110-Style Wiring Block Kit, includes 64-port block with legs, labels, and 16 C-4 clips*	41D6A-1F4

*Note: Standoff legs are not removable

Leviton Network Solutions 2222 - 222nd St. SE Bothell, WA 98021-4416 tel 1-800-824-3005 tel +1-425-486-2222 appeng@leviton.com www.leviton.com	Asia / Pacific T +1.631.812.6228 E infoasean@leviton.com	Canada T +1.514.954.1840 E pcservice@leviton.com	Caribbean T +1.954.593.1896 E infocaribbean@leviton.com	China T +852.2774.9876 E infochina@leviton.com	Colombia T +57.1.743.6045 E infocolombia@leviton.com
	Europe T +44.0.1592.772124 E customerserviceeu@leviton.com	India / SAARC T +971.4.886.4722 E infoindia@leviton.com	Mexico T +52.55.5082.1040 E lsamarketing@leviton.com	Middle East & Africa T +971.4.247.9800 E lmeinfo@leviton.com	South Korea T +82.2.3273.9963 E infokorea@leviton.com