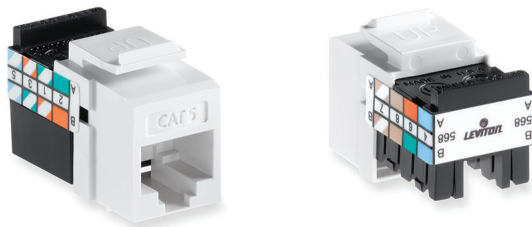


CAT 5 UTP QuickPort® Connectors

APPLICATION

The Leviton CAT 5 UTP Connector is designed for use with the QuickPort family of housings, including the Multimedia Outlet System, Decora® inserts, patch panels, and patch blocks.



SPECIFICATION

CAT 5 Connectors shall be individual snap-in style. The connectors shall be in compliance with all National Electrical Codes and ANSI/TIA-1096-A; UL listed; and independently UL certified to meet CAT 5 requirements. All plastics used in construction of the connector bodies shall be fire retardant with a UL flammability rating of 94 V-0. Termination of all connectors shall be 110-style IDC with solder-plated phosphor bronze contacts. The connector shall provide a ledge directly adjacent to the 110-style termination, against which the wires can be directly terminated and cut in one action by the installer.

FEATURES

- Features T568A and T568B wiring labels for 110-style terminations
- Available in 13 colors

DESIGN CONSIDERATIONS

- Use in any QuickPort connector housing to support CAT 5 UTP applications in surface-mount, flush-mount, or modular furniture environments
- Can be used in conjunction with other QuickPort snap-in modules for voice/data and video applications over UTP, coax, and fiber
- For port identification, use different colored connectors for each application (13 connector colors available), or pre-printed Port Designation Labels

STANDARDS COMPLIANCE

Meets or exceeds all applicable standards: UL listed; meets or exceeds ANSI/TIA-1096-A.

PHYSICAL SPECIFICATIONS

Dimensions: See page two

Materials: Connector body is high-impact, fire-retardant plastic rated UL 94V-0. Connector 110 IDC contacts are solder-plated phosphor bronze.

COUNTRY OF ORIGIN

USA

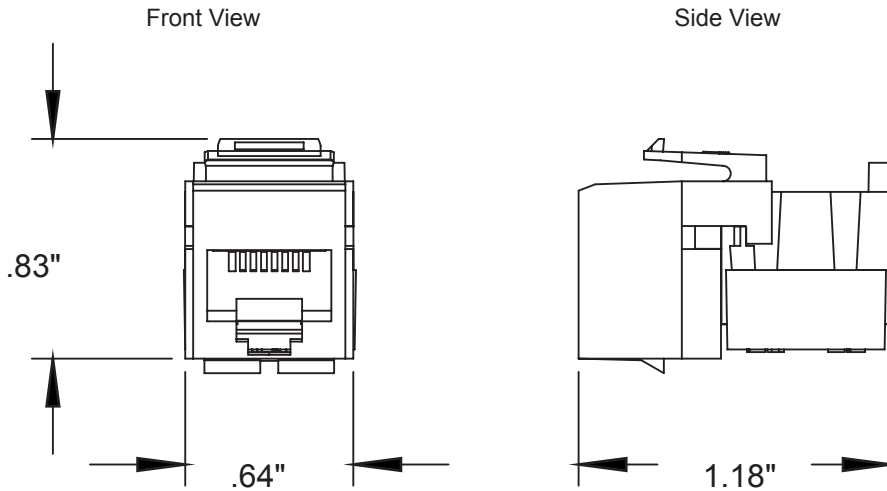
WARRANTY INFORMATION

For a copy of Leviton product warranties, visit www.leviton.com/warranty.

ELECTRONIC FILES

For CAD files, typical specs, or technical drawings (.DXF, .DWG), visit www.leviton.com.

41108-Rx5



PART NUMBERS

Description	Part No.
CAT 5 UTP QuickPort® 8-conductor Connector	41108-Rx5

x = colors: Ivory (I), White (W), Grey (G), Black (E), Orange (O), Blue (L), Yellow (Y), Dark Red (R), Brown (B), Light Almond (T), Green (V), Purple (P), Crimson Red (C)

Leviton Network Solutions 2222 - 222nd St. SE Bothell, WA 98021-4416 tel 1-800-824-3005 tel +1-425-486-2222 appeng@leviton.com www.leviton.com	Asia / Pacific T +1.631.812.6228 E infoasean@leviton.com	Canada T +1.514.954.1840 E pcservice@leviton.com	Caribbean T +1.954.593.1896 E infocaribbean@leviton.com	China T +852.2774.9876 E infochina@leviton.com	Colombia T +57.1.743.6045 E infocolombia@leviton.com
	Europe T +33.6.8869.1380 E infoeurope@leviton.com	India / SAARC T +91.80.4322.5678 E infoindia@leviton.com	Mexico T +52.55.5082.1040 E lsamarketing@leviton.com	Middle East & Africa T +971.4.886.4722 E lmeinfo@leviton.com	South Korea T +82.2.3273.9963 E infokorea@leviton.com