

T5825-W

Ultrasonically welded, 20A Tamper-Resistant, Decora duplex receptacle/outlet. Residential grade, NEMA 5-20R, side wired only, UL, CSA and NOM

Leviton's Decora duplex receptacles are designed for a chic appearance, quick installation and durability. The impact-resistant thermoplastic design allows for a long service life and high performance in homes, offices, schools and other settings. It also coordinates beautifully with Leviton's complete line of Decora devices.



Color :  White

UPC Code : 078477450352

Country Of Origin : China

NEMA :  5-20R

Available Colors :



Black



Brown



Gray



Ivory



Light Almond

Technical Information

Product Features

Amperage : 20 A

Color : White

Feature : Tamper-Resistant

NEMA : 5-20R

Product Type : Decora

Ratings : 20A-125V

Torque Range : 14 – 18 in.-lbs

Type : Duplex Receptacle

Warranty : 2-Year Limited

Standards & Certifications

CSA C22.2 No. 42 : File 152105; Class 6233-01

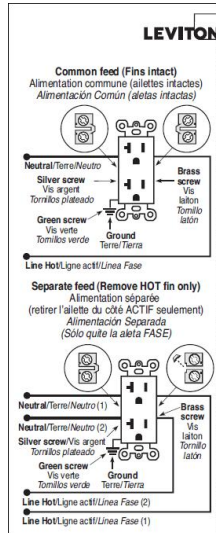
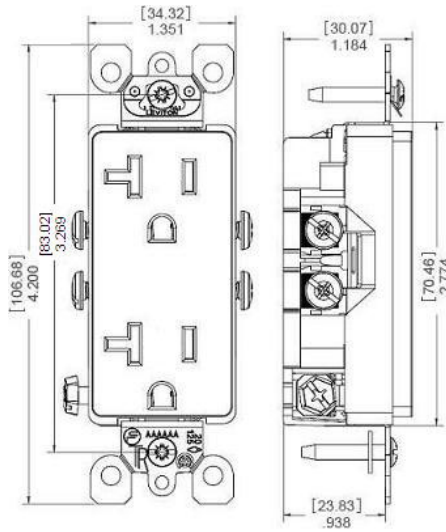
NOM : NOM Certified

UL 498 : File E13399

Patents*

US8242362

*This list is provided for patent marking purposes only. A good faith effort is made to maintain the accuracy and completeness of this list. No legal inference should be drawn from the omission of a patent from this list.



WARNING: TURN OFF POWER, TEST POWER IS OFF. TO BE INSTALLED AND/OR USED IN ACCORDANCE WITH APPROPRIATE ELECTRICAL CODES AND REGULATIONS.

To Side Wire: Terminal screws accept up to #10 AWG copper or copper clad wire. Remove wire insulation approx. 3/4" (1.9 cm). Connect wires per wiring diagram as follows: Loop wires clockwise 3/4 turn around terminal screws. Firmly tighten screws over wire loops.

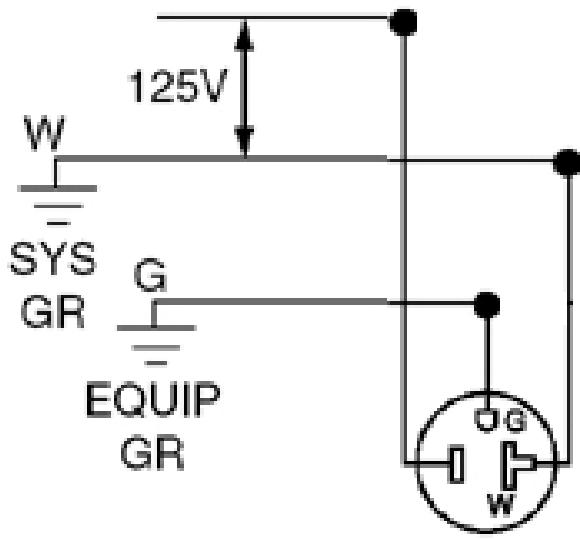
AVERTISSEMENT : VÉRIFIER QUE L'ALIMENTATION SOIT BIEN COUPÉE. INSTALLER ET UTILISER CONFORMÈMENT AUX CODES DE L'ÉLECTRICITÉ EN VIGUEUR. COUPER L'ALIMENTATION.

CÂBLAGE LATÉRAL : Les bornes acceptent les fils de cuivre ou plaqués cuivre d'un calibre pouvant atteindre 10 AWG. Dénuder les fils sur un peu moins de 2 cm. Raccorder les fils conformément au SCHEMA DE CÂBLAGE : enrouler les fils sur les bornes de trois quarts de tour vers la droite. Serrer fermement les vis sur les fils.

ADVERTENCIA: DESCONECTE LA CORRIENTE. PRUEBE QUE LA CORRIENTE ESTÁ DES-CONECTADA. PARA INSTALARSE Y/O USARSE DE ACUERDO CON LOS CODIGOS ELECTRICOS Y NORMAS APROPIADAS. Para Cableado Lateral: Los tornillos terminales aceptan cable de cobre o revestido de cobre hasta #10 AWG. Quite 1.9 cm. (3/4") de aislante. Conecte los cables según el diagrama de cableado: Entrosque los alambres 3/4 de vuelta hacia la derecha alrededor de los tornillos terminales. Apriete los tornillos sobre el alambre entroscado.

© 2009 Leviton Mfg. Co., Inc. PK-84449-10-02-2A

Wiring Diagram



5-20R

USB Outlet FAQ's

What are Leviton USB In-Wall Charger Outlets?

Leviton USB In-Wall Chargers have USB Ports and most models have 15 Amp or 20 Amp Tamper-Resistant Outlets. They are designed for adapter-free charging for two USB powered electronic devices at once, leaving the outlets free for additional power needs.

What are the ratings for the outlets?

- The T5635 Tamper-Resistant Outlet is rated at 15A-125V and is NEC® compliant.
- The T5633 Tamper-Resistant Outlet is rated at 15A-125V and is NEC® compliant.
- The T5833 Tamper-Resistant Outlet is rated at 20A-125V and is NEC® compliant.
- The T5632 Tamper-Resistant Outlet is rated at 15A-125V and is NEC® compliant.
- The T5832 Tamper-Resistant Outlet is rated at 20A-125V and is NEC® compliant.

Do Leviton USB In-Wall Chargers fit in a standard wallbox?

Yes, all the Leviton USB In-Wall Chargers are designed to fit in a standard single gang wallbox measuring at least 3" x 2" x 1½".

Do the USB In-Wall Chargers wire differently than standard outlets?

No. USB In-Wall Chargers install the same as a standard outlet and can replace an existing outlet.

Do the Leviton USB In-Wall Chargers have a breakoff tab for split power applications?

No. USB In-Wall Chargers cannot be used for split power applications.

What devices can be charged using the Leviton USB In-Wall Chargers?

The Leviton USB In-Wall Chargers can charge the latest tablets, smartphones, standard mobile phones, handheld gaming devices, e-readers, digital cameras, and many more USB powered devices including but not limited to:

- Apple® Devices
- Samsung® Devices
- Google® Phones
- Tablets
- Smart and Mobile Phones
- Blackberry®, Android Phones
- Windows® Phones
- Nintendo Switch
- Bluetooth® Headsets
- Digital Cameras
- Kindle™, e-readers
- GPS
- Laptops with Type-C™ power ports (MacBook Pro® 2016 or later)
- Watches including: Garmin, Fitbit® and Apple

Can I install two Leviton USB In-Wall Chargers side-by-side?

Yes, they can be installed side-by-side or with any other standard wiring device.

How do I know if the Leviton USB In-Wall Chargers are charging my electronic device?

The electronic device will indicate that it is charging. In addition, Leviton USB In-Wall Chargers have a smart chip that recognizes the requirements of the electronic device connected and delivers the optimal level of charge.

How long will it take my electronic device(s) to charge?

Charging time depends on the electronic device battery, the cord used and the electronic device capability. The Leviton USB In-Wall Chargers are designed with a smart chip that recognizes your electronic device's charging requirements and maximizes the current delivered throughout the charging process to ensure the most efficient charging time.

Can I charge multiple tablets at once?

Yes. Leviton In-Wall Chargers can charge as many tablets as there are available USB ports.

SPECIFICATION SUBMITTAL

JOB NAME: <input type="text"/>	CATALOG NUMBERS: <input type="text"/>	
JOB NUMBER: <input type="text"/>	<input type="text"/>	<input type="text"/>

Leviton Manufacturing Co., Inc.

201 North Service Road, Melville, NY 11747

Telephone: +1-800-323-8920 · FAX: +1-800-832-9538 · Tech Line (8:30AM-7:30PM E.S.T. Monday-Friday):
+1-800-824-3005

Leviton Manufacturing of Canada, Ltd.

165 Hymus Boulevard, Pointe Claire, Quebec H9R 1E9 · Telephone: +1-800-469-7890 ·
FAX: +1-800-824-3005 · www.leviton.com/canada

Leviton S. de R.L. de C.V.

Lago Tana 43, Mexico DF, Mexico CP 11290 · Tel.: (+52)55-5082-1040 · FAX: (+52)5386-
1797 · www.leviton.com.mx

Visit our Website at: www.leviton.com

© 2018 Leviton Manufacturing Co., Inc. All Rights Reserved. Subject to change without notice.

Leviton has a global presence.

If you would like to know where your local Leviton office is located please go to:
www.leviton.com/international/contacts/

