

# 8300-W



UPC Code: 07847781863

Country of Origin: Please Contact Customer Service

NEMA: 5-20R



## Straight Blade Wiring Devices

### Brand Features

All Leviton Hospital Grade Receptacles undergo the most stringent UL testing to assure continuous, safe operation in any application requiring high-abuse tolerance, including health care facilities, manufacturing plants and schools.

### Item Description

20 Amp, 125 Volt, NEMA 5-20R, 2P, 3W, Extra Heavy Duty Hospital Grade, Duplex Receptacle, Straight Blade, Self Grounding, Back & Side Wired, 8 Hole Feed-Thru - WHITE

### Technical Information

#### AC Horsepower Ratings

**Horsepower Rating:** 1 HP

#### Electrical Specifications

**Amperage:** 20 Amp

**Voltage:** 125 Volt

**NEMA:** 5-20R

**Pole:** 2

**Wire:** 3

**Grounding:** Self-Grounding

**Dielectric Voltage:** Withstands 2000V per UL498

**Current Limiting:** Full Rated Current

**Temperature Rise:** Max 30C after 250 cycles OL at 200 percent rated current

#### Environmental Specifications

**Flammability:** Rated V-2 per UL94

**Operating Temperature:** -40C to 60C

#### Material Specifications

**Line Contacts:** Nickel-Plated Brass Triple -Wipe .031 Thick

**Grounding Screw:** Nickel-Plated Brass 8-32

**Yoke:** Nickel-Plated Brass

**Clamp Nuts:** Nickel-Plated Brass

**Body Material:** Nylon

**Face Material:** Nylon

**Strap Material:** Nickel-Plated Brass

**Line Contacts:** Nickel-Plated Brass Triple -Wipe .040 Thick

**Terminal Screws:** Nickel-Plated Brass 10-32

**Grounding Screw:** Plated Brass

**Ground Clips:** Nickel-Plated Brass

**Clamp Nuts:** Zinc-Plated Steel

**Color:** White

#### Mechanical Specifications

**Terminal ID:** Brass-Hot, Green-Ground, White-Neutral

**Product ID:** Ratings are permanently marked on device

**Terminal ID:** Brass-Hot, Green-Ground, Silver-Neutral

**Terminal Accom.:** 14-10 AWG

**Product ID:** Markings are permanently marked on device

**Torque Range:** 14-16 inch pounds

#### Product Features

**Grounding:** Self Grounding

**NEMA:** 5-20R

**Color:** White

**Strap Material:** Nickel Plated Brass

**Warranty:** 10 Year Limited

#### Standards and Certifications

**NEMA:** WD-6

**ANSI:** C-73

**UL498HG:** File E13399

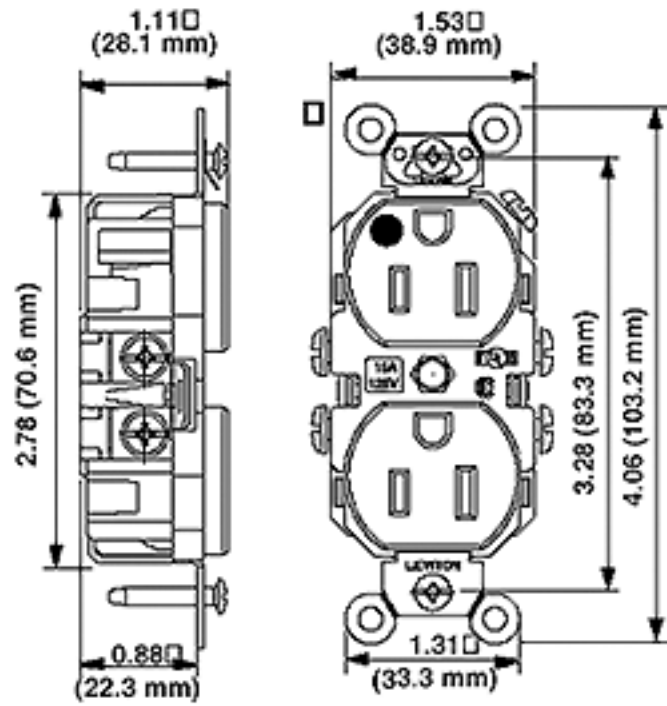
**UL Fed Spec WC-596:** File E13399

**CSA C22.2 No. 42:** File 152105

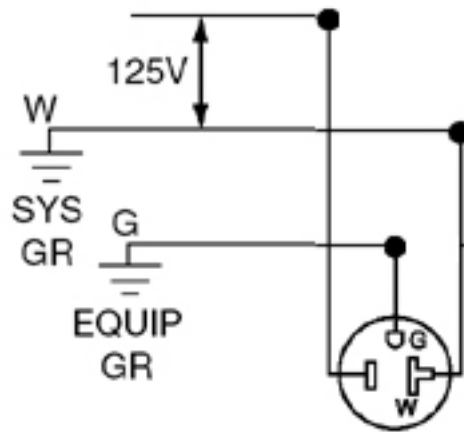
**NOM:** 057

**Warranty:** 10-Year Limited

**RoHS:** Non-Compliant



**Wiring Diagram**



5-20R

**SPECIFICATION SUBMITTAL**

JOB NAME:	CATALOG NUMBERS:	
JOB NUMBER:		

**Leviton Manufacturing Co., Inc.**

201 North Service Road, Melville, NY 11747

Telephone: 1-800-323-8920 · FAX: 1-800-832-9538 · Tech Line (8:30AM-7:30PM E.S.T. Monday-Friday): 1-800-824-3005

**Leviton Manufacturing of Canada, Ltd.**

165 Hymus Boulevard, Pointe Claire, Quebec H9R 1E9 · Telephone: 1-800-469-7890 ·

FAX: 1-800-824-3005 · [www.leviton.com/canada](http://www.leviton.com/canada)

**Leviton S. de R.L. de C.V.**

Lago Tana 43, Mexico DF, Mexico CP 11290 · Tel.: (+52)55-5082-1040 · FAX: (+52)5386-1797 · [www.leviton.com.mx](http://www.leviton.com.mx)

**Visit our Website at: [www.leviton.com](http://www.leviton.com)**

© 2012-2015 Leviton Manufacturing Co., Inc. All rights reserved. Subject to change without notice.

**Leviton has a global presence.**

If you would like to know where your local Leviton office is located please go to: [www.leviton.com/international/contacts/](http://www.leviton.com/international/contacts/)

