

8300-T



UPC Code: 07847732162

Country of Origin: Please Contact Customer Service

NEMA: 5-20R



Straight Blade Wiring Devices

Brand Features

All Leviton Hospital Grade Receptacles undergo the most stringent UL testing to assure continuous, safe operation in any application requiring high-abuse tolerance, including health care facilities, manufacturing plants and schools.

Item Description

20 Amp, 125 Volt, NEMA 5-20R, 2P, 3W, Extra Heavy Duty Hospital Grade, Duplex Receptacle, Straight Blade, Self Grounding, Back & Side Wired, 8 Hole Feed-Thru - LIGHT ALMOND

Technical Information

AC Horsepower Ratings

Horsepower Rating: 1 HP

Electrical Specifications

Amperage: 20 Amp

Voltage: 125 Volt

NEMA: 5-20R

Pole: 2

Wire: 3

Grounding: Self-Grounding

Dielectric Voltage: Withstands 2000V per UL498

Current Limiting: Full Rated Current

Temperature Rise: Max 30C after 250 cycles OL at 200 percent rated current

Environmental Specifications

Flammability: Rated V-2 per UL94

Operating Temperature: -40C to 60C

Material Specifications

Line Contacts: Nickel-Plated Brass Triple -Wipe .031 Thick

Grounding Screw: Nickel-Plated Brass 8-32

Yoke: Nickel-Plated Brass

Clamp Nuts: Nickel-Plated Brass

Body Material: Nylon

Face Material: Nylon

Strap Material: Nickel-Plated Brass

Line Contacts: Nickel-Plated Brass Triple -Wipe .040 Thick

Terminal Screws: Nickel-Plated Brass 10-32

Grounding Screw: Plated Brass

Ground Clips: Nickel-Plated Brass

Clamp Nuts: Zinc-Plated Steel

Color: Light Almond

Mechanical Specifications

Terminal ID: Brass-Hot, Green-Ground, White-Neutral

Product ID: Ratings are permanently marked on device

Terminal ID: Brass-Hot, Green-Ground, Silver-Neutral

Terminal Accom.: 14-10 AWG

Product ID: Markings are permanently marked on device

Torque Range: 14-16 inch pounds

Product Features

Grounding: Self Grounding

NEMA: 5-20R

Color: Light Almond

Strap Material: Nickel Plated Brass

Warranty: 10 Year Limited

Standards and Certifications

NEMA: WD-6

ANSI: C-73

UL498HG: File E13399

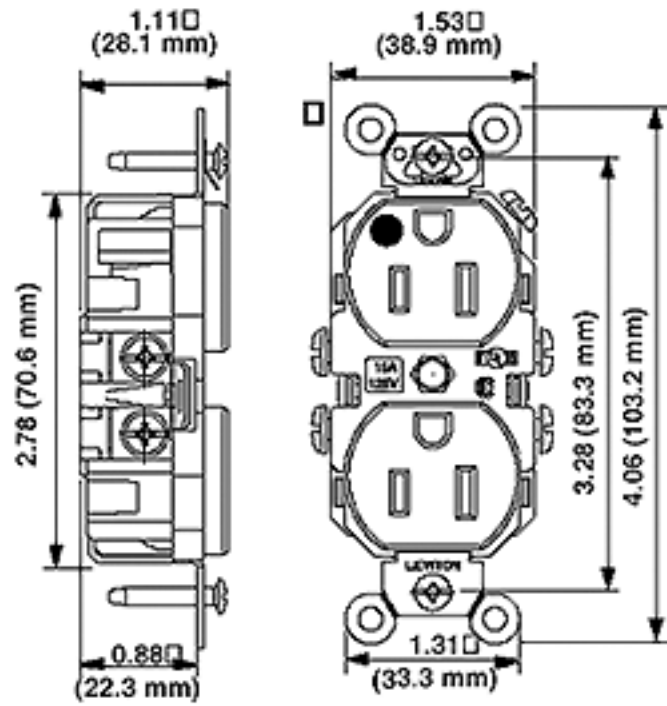
UL Fed Spec WC-596: File E13399

CSA C22.2 No. 42: File 152105

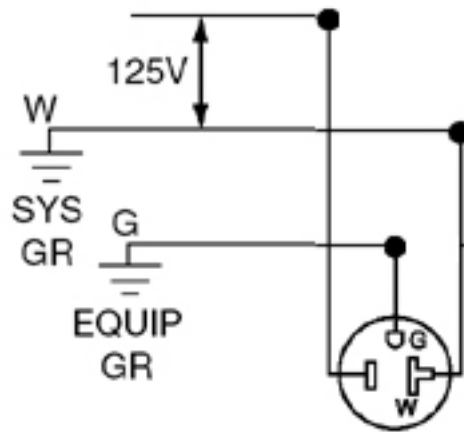
NOM: 057

Warranty: 10-Year Limited

RoHS: Non-Compliant



Wiring Diagram



5-20R

SPECIFICATION SUBMITTAL

JOB NAME:	CATALOG NUMBERS:	
JOB NUMBER:		

Leviton Manufacturing Co., Inc.

201 North Service Road, Melville, NY 11747

Telephone: 1-800-323-8920 · FAX: 1-800-832-9538 · Tech Line (8:30AM-7:30PM E.S.T. Monday-Friday): 1-800-824-3005

Leviton Manufacturing of Canada, Ltd.

165 Hymus Boulevard, Pointe Claire, Quebec H9R 1E9 · Telephone: 1-800-469-7890 ·

FAX: 1-800-824-3005 · www.leviton.com/canada

Leviton S. de R.L. de C.V.

Lago Tana 43, Mexico DF, Mexico CP 11290 · Tel.: (+52)55-5082-1040 · FAX: (+52)5386-1797 · www.leviton.com.mx

Visit our Website at: www.leviton.com

© 2012-2015 Leviton Manufacturing Co., Inc. All rights reserved. Subject to change without notice.

Leviton has a global presence.

If you would like to know where your local Leviton office is located please go to: www.leviton.com/international/contacts/

