

Product Bulletin

Type A and Type-C USB Charger/
Weather-Resistant Receptacle

LEVITON®

Powerful Charging Moves Outdoors



Convenient, reliable charging when and where you need it.

The Type A and Type-C USB Charger/Weather-Resistant Receptacle offers convenient outdoor access to charging power for smartphones, tablets, laptops, and more. The device is the industry's first Weather-Resistant USB to utilize an innovative process which provides added protection to electrical components for long-lasting durability. Install it on any GFCI protected circuit to enhance outdoor living. The Type A and Type-C USB Charger/Weather-Resistant Receptacle features easy-to-install wire lead termination and can be paired with Leviton's durable While-In-Use (WIU) Outdoor Cover to meet the requirements of NEC® 406.9B. The two USB ports deliver a combined total of 5.1A charging current and 25+ watts of power. A smart chip recognizes and optimizes the charging requirements of individual devices. The USB Type-C™ port delivers faster charging and enables the cables to be inserted easily in either direction.

Applications

Ideal for residential and commercial applications including decks, patios, porches, cabanas, restaurants, parks and more.



Cover sold separately

Features and Benefits

- Weather-resistant rated to provide added protection against corrosion, UV degradation, and exposure to the elements
- Smart chip recognizes and optimizes the charging requirements of individual devices
- One Type A Port and one Type-C Port; combined total of 5.1A of charging power
 - Type-C Port can charge maximum 3 Amps @ 5V
 - Type A Port can charge maximum 2.4 Amps @ 5V
- Tamper-Resistant to help prevent access by most non-rated/foreign objects
- Wire leads for ease of installation
- USB Ports tested to withstand over 10,000 insertions
- Charges most Type A and Type-C USB powered devices
- Spec Grade
- For use with NEC required While-In-Use Outdoor Cover

Typical Specification

Operating Temperature Range: -10°C to 40°C

2017 National Electrical Code

406.9 Receptacles in Damp and Wet Locations

(B) Wet Locations. (1) 15 and 20 Ampere Receptacles in a Wet Location. 15 and 20 ampere, 125 and 250 volt receptacles installed in a wet location shall have an enclosure that is weatherproof whether or not the attachment plug cap is inserted. An outlet box hood installed for this purpose shall be listed, and shall be identified as “extra-duty.” Other listed products, enclosures, or assemblies providing weatherproof protection that do not utilize an outlet box need not be marked “extra-duty.” All 15 and 20 ampere, 125 and 250 volt non locking-type receptacles shall be listed weather resistant type. Exception: 15 and 20 ampere, 125 through 250 volt receptacles installed in a wet location and subject to routine high-pressure spray washing shall be permitted to have an enclosure that is weatherproof when the attachment plug is removed. (2) Other Receptacles. All other receptacles installed in a wet location shall comply with (B)(2)(a) or (B)(2)(b). (a) A receptacle installed in a wet location, where the product intended to be plugged into it is not attended while in use, shall have an enclosure that is weatherproof with the attachment plug cap inserted or removed. (b) A receptacle installed in a wet location where the product intended to be plugged into it will be attended while in use (e.g., portable tools) shall have an enclosure that is weatherproof when the attachment plug is removed.

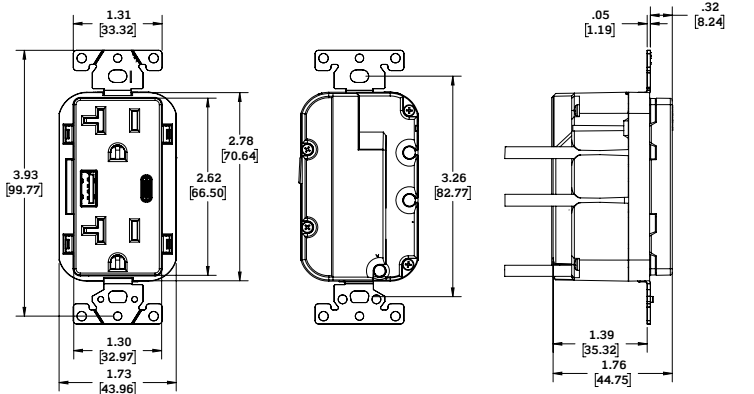
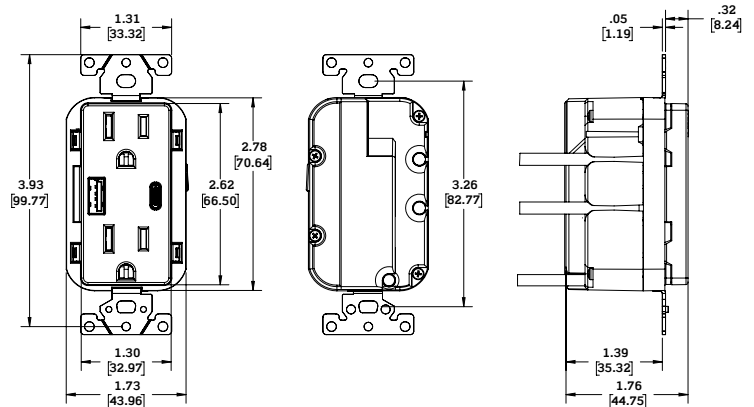
Agency Standards and Compliance

cCSAus Listed

Warranty Information

Two-Year Limited Warranty

Dimensional Drawings



Ordering Information

Cat. No.	Description	Combined Charging Capability	Rating	Color
W5633	15A Type A and Type-C USB Charger Weather-Resistant Receptacle	5.1A	15A – 125V	White
W5833	20A Type A and Type-C USB Charger Weather-Resistant Receptacle	5.1A	20A – 125V	White
5980-UCL	1 Gang Extra Duty While-In-Use Cover (Vertical)	-	-	Clear
5981-UCL	1 Gang Extra Duty While-In-Use Cover (Horizontal)	-	-	Clear



Leviton Manufacturing Co., Inc.

Tech Line: 1-800-824-3005

Mon-Fri 8am-10pm EST, Saturday 9am-7pm EST, Sunday 9am-5pm EST

For 24/7 product support visit www.leviton.com/support

Visit our Website at: www.leviton.com

© 2022 Leviton Manufacturing Co., Inc. All rights reserved. All trademarks are the property of their respective owners.



TS-052622-dp