



## 5633-2T

### Brand Features

Decora Plus devices combine designer styling with all the benefits of rugged Commercial Grade construction. The robust product offering includes: single pole, double pole, 3 and 4-way switches, momentary and maintained contact switches, as well as pilot light and illuminated switches.

### Item Description

20 Amp, 120 Volt, Decora Plus Rocker Lighted Handle - Illuminated OFF 3-Way AC Quiet Switch, Commercial Spec Grade, Self Grounding, Back & Side Wired - LIGHT ALMOND

### Technical Information

#### AC Horsepower Ratings

**HP Rating:** 1HP-120V  
**Max. Amperage:** 16 Amp

#### Electrical Specifications

**Grounding:** Self-Grounding  
**Amperage:** 20 A  
**Voltage:** 120 VAC  
**Dielectric Voltage:** Withstands 1500V for 1 minute  
**Overload UL20 Test:** 100 cycles of OL at 4.8 times rated current  
**Temperature Rise:** Maximum 30 degrees C rise  
**Endurance:** 50,000 cycles minimum

#### Environmental Specifications

**Flammability:** Rated V-2 per UL 94  
**Operating Temperature:** -40°C to 65°C

#### Material Specifications

**Actuator Material:** Thermoplastic  
**Body Material:** Thermoplastic  
**Strap Material:** Steel  
**Color:** Light Almond

#### Mechanical Specifications

**Terminal ID:** Brass-Hot Black-Hot White-Neutral Green-Gnd  
**Terminal Accom.:** 14-#10 AWG back wired; #14-#12 AWG side wired  
**Product ID:** Stamped on Strap  
**Torque Range:** 12-14 inch pounds  
**Termination:** Back or Side Wire

#### Product Features

**Grounding:** Self-Grounding  
**Voltage:** 120 VAC  
**Body Material:** Thermoplastic  
**Color:** Light Almond  
**Function:** 3-Way  
**Grade:** Commercial Specification Grade  
**Brand:** Decora Plus  
**Feature 2:** Illuminated - Load OFF  
**Device Type:** Rocker Switch

#### Standards and Certifications

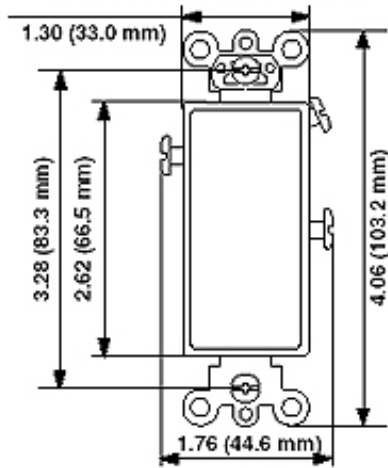
**NEMA:** WD-1 & WD-6  
**ANSI:** C-73  
**UL Standard:** UL 20  
**CSA C22.2 No. 111:** File #152105  
**NOM:** 057  
**Warranty:** 10 Year Limited

**Color:** **N/A** Light Almond

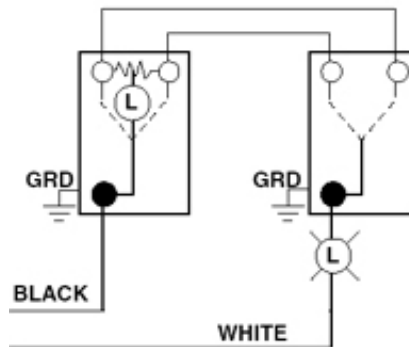
**UPC Code:** 07847727647

**Country Of Origin:** Mexico

### Dimensional Diagram



### Wiring Diagram 3-Way Lighted



### SPECIFICATION SUBMITTAL

JOB NAME:	CATALOG NUMBERS:	
<input type="text"/>	<input type="text"/>	<input type="text"/>
JOB NUMBER:	<input type="text"/>	<input type="text"/>

#### Leviton Manufacturing Co., Inc.

201 North Service Road, Melville, NY 11747

Teléfono: +1-800-323-8920 · FAX: +1-800-832-9538 · Tech Line (8:30AM-7:30PM E.S.T. Monday-Friday): +1-800-824-3005

#### Leviton Manufacturing of Canada, Ltd.

165 Hymus Boulevard, Pointe Claire, Quebec H9R 1E9 · Telephone: +1-800-469-7890 ·

FAX: +1-800-824-3005 · [www.leviton.com/canada](http://www.leviton.com/canada)

#### Leviton S. de R.L. de C.V.

Lago Tana 43, Mexico DF, Mexico CP 11290 · Tel.: (+52)55-5082-1040 · FAX: (+52)5386-

1797 · [www.leviton.com.mx](http://www.leviton.com.mx)

Visit our Website at: [www.leviton.com](http://www.leviton.com)

© 2018 Leviton Manufacturing Co., Inc. Todos los derechos reservados. Subject to change without notice.

#### Leviton has a global presence.

If you would like to know where your local Leviton office is located please go to:

[www.leviton.com/international/contacts/](http://www.leviton.com/international/contacts/)

