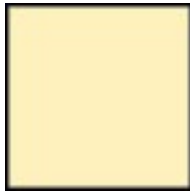




Color: Ivory



## 54504-2I

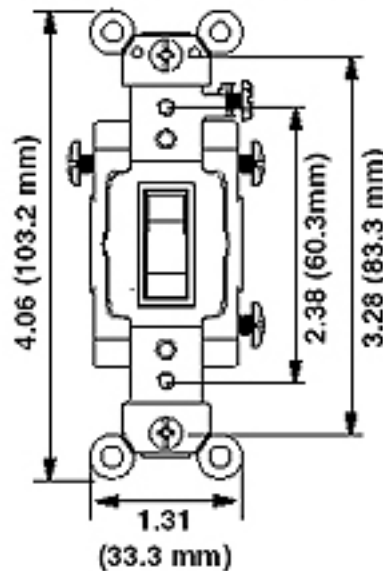
### Description

15 Amp, 120/277 Volt, Toggle Framed 4-Way AC Quiet Switch, Commercial Grade, Grounding, Side Wired, - Ivory

### Product Features

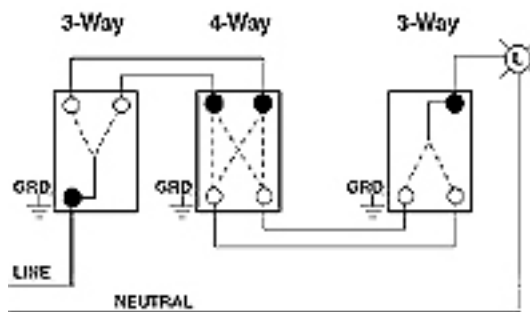
- Grounding: Grounding
- Feature: Framed
- Amperage: 15 Amp
- Voltage: 120/277 Volt
- HP Rating: 1/2HP-120V 2HP-240V-277V
- Max. Amperage: 12 Amp
- Termination: Side
- Actuator Material: Thermoplastic
- Body Material: Thermoplastic
- Strap Material: Steel
- Color: Ivory
- Standards and Certifications: UL/CSA
- Warranty: 10 Year Limited

### Dimensional Diagram



# Wiring Diagram

## 4-Way



### SPECIFICATION SUBMITTAL

JOB NAME:	CATALOG NUMBERS:	
<input type="text"/>	<input type="text"/>	<input type="text"/>
JOB NUMBER:	<input type="text"/>	<input type="text"/>

#### Leviton Manufacturing Co., Inc.

59-25 Little Neck Parkway, Little Neck, NY 11362-2591

Telephone: 1-800-323-8920 · FAX: 1-800-832-9538 · Tech Line (8:30AM-7:30PM E.S.T. Monday-Friday): 1-800-824-3005

#### Leviton Manufacturing of Canada, Ltd.

165 Hymus Boulevard, Pointe Claire, Quebec H9R 1E9 · Telephone: 1-800-469-7890 · FAX: 1-800-824-3005

#### Leviton S. de R.L. de C.V.

Lago Tana 43, Mexico DF, Mexico CP 11290 · Tel.: (+52)55-5082-1040 · FAX: (+52)5386-1797 · [www.leviton.com.mx](http://www.leviton.com.mx)



Visit our Website at: [www.leviton.com](http://www.leviton.com)

©2007 Leviton Manufacturing Co., Inc. All rights reserved. Subject to change without notice.