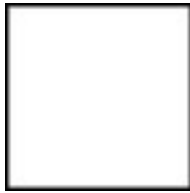




Color: White



NEMA: 5-20R



## 5352-W

UPC Code: 07847781962

Country of Origin: United States - *\*Eligible for ARRA funded projects*

### Description

20 Amp, 125 Volt, NEMA 5-20R, 2P, 3W, Industrial Series Heavy Duty Specification Grade, Duplex Receptacle, Straight Blade, Self Grounding, Back & Side 8 Hole Feed-Thru Wired, Steel Strap, - WHITE

### Product Features

NEMA: 5-20R

Color: White



*\*Disclaimer*

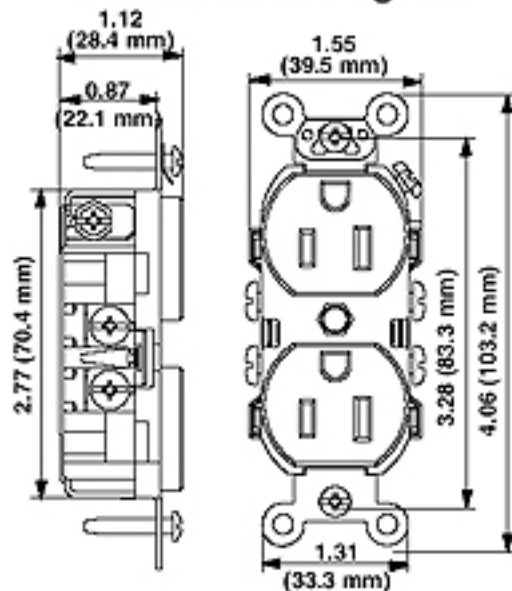
|                                     |  |
|-------------------------------------|--|
| <b>AC Horsepower Ratings</b>        |  |
| At Rated Voltage                    | 1 HP                                     |
| <b>Environmental Specifications</b> |  |
| Flammability                        | Rated V-2 per UL94                       |
| Operating Temperature               | -40C to 60C                              |
| <b>Mechanical Specifications</b>    |  |
| Terminal ID                         | Brass-Hot, Green-Ground, Silver-Neutral  |
| Terminal Accom.                     | 14-10 AWG                                |
| Product ID                          | Ratings are permanently marked on device |
| Torque Range                        | 14-16 inch pounds                        |

|                                  |  |
|----------------------------------|--|
| <b>Electrical Specifications</b> |  |
| Grounding                        | Self Grounding   |
| Amperage                         | 20 Amp   |
| Voltage                          | 125 Volt   |
| NEMA                             | 5-20R  |
| Pole                             | 2  |
| Wire                             | 3  |
| Dielectric Voltage               | Withstands 2000V per UL498                               |
| Current Limiting                 | Full Rated Current                                       |
| Temperature Rise                 | Max 30C after 250 cycles OL at 200 percent rated current |

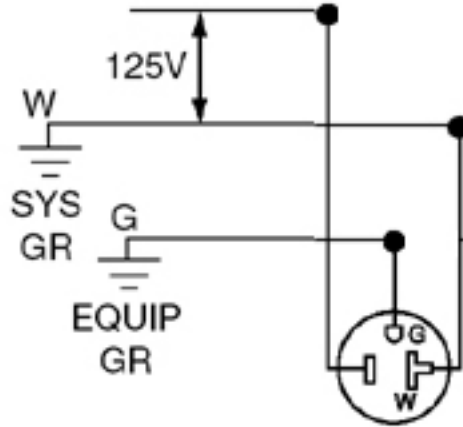
|                                |   |
|--------------------------------|---|
| <b>Material Specifications</b> |   |
| Face Material                  | Nylon   |
| Body Material                  | Nylon   |
| Line Contacts                  | Phosphor Bronze                               |
| Terminal Screws                | Plated Brass                                  |
| Grounding Screw                | Plated Steel                                  |
| Strap Material                 | Galvanized Steel with Riveted Ground Contacts |
| Clamp Nuts                     | Galvanized Steel                              |
| Ground Clips                   | Brass   |
| Color                          | White   |

|                                     |                 |
|-------------------------------------|-----------------|
| <b>Standards and Certifications</b> |                 |
| NEMA                                | WD-6            |
| ANSI                                | C-73            |
| UL498                               | File E13399     |
| UL Fed Spec WC-596                  | File E13399     |
| CSA C22.2 No. 42                    | File 152105     |
| NOM                                 | 057             |
| Warranty                            | 10 Year Limited |

### Dimensional Diagram



## Wiring Diagram



5-20R

### SPECIFICATION SUBMITTAL

|   |  |
|---|--|
| JOB NAME:<br><input style="width: 90%;" type="text"/> | CATALOG NUMBERS:<br><input style="width: 95%;" type="text"/> |
| JOB NUMBER: <input style="width: 80%;" type="text"/>  | <input style="width: 95%;" type="text"/>                     |

**Leviton Manufacturing Co., Inc.**

201 North Service Road, Melville, NY 11747  
 Telephone: 1-800-323-8920 · FAX: 1-800-832-9538 · Tech Line (8:30AM-7:30PM E.S.T. Monday-Friday): 1-800-824-3005

**Leviton Manufacturing of Canada, Ltd.**

165 Hymus Boulevard, Pointe Claire, Quebec H9R 1E9 · Telephone: 1-800-469-7890 · FAX: 1-800-824-3005 · [www.leviton.com/canada](http://www.leviton.com/canada)

**Leviton S. de R.L. de C.V.**

Lago Tana 43, Mexico DF, Mexico CP 11290 · Tel.: (+52)55-5082-1040 · FAX: (+52)5386-1797 · [www.leviton.com.mx](http://www.leviton.com.mx)

**Visit our Website at: [www.leviton.com](http://www.leviton.com)**

© 2007-2010 Leviton Manufacturing Co., Inc. All rights reserved. Subject to change without notice.

**Leviton has a global presence.**

If you would like to know where your local Leviton office is located please go to:  
[www.leviton.com/international/contacts/](http://www.leviton.com/international/contacts/)



*\*Buy American Compliant Logo -- The American Recovery And Reinvestment Act of 2009 ("ARRA") provides federal grants and loans for projects throughout the country. Section 1605 of the Act, named the "Buy American" provision, requires that certain materials and manufactured products used in projects funded by the Act be manufactured in the United States. The appearance of the Recovery Act Logo in relation to a Leviton product is only intended to reflect that such product may be used in an ARRA funded project. It does not mean that such product or Leviton is sponsored or endorsed by, or that Leviton receives funds from, the federal government or the Recovery Accountability and Transparency Board. Nothing in Leviton's use of the logo is intended to suggest anything regarding the requirements for funding under ARRA.*