

5262-SR

Straight Blade Wiring Devices

Brand Features

Leviton's line of Heavy-Duty Industrial Grade Receptacles are available with a number of wiring options and features. These heavy-duty receptacles are engineered for fine appearance and top performance in demanding commercial and institutional applications using a durable, thermoplastic face and impact-resistant construction.

Item Description

15 Amp, 125 Volt, NEMA 5-15R, 2P, 3W, Industrial Series Heavy Duty Specification Grade, Duplex Receptacle, Straight Blade, Self Grounding, Contractor Pack, 8 Hole Feed Thru Back & Side Wired, Steel Strap - RED

Technical Information

AC Horsepower Ratings

At Rated Voltage: 1/2 HP

Electrical Specifications

Grounding: Self-Grounding

Amperage: 15 Amp

Voltage: 125 Volt

NEMA: 5-15R

Pole: 2

Wire: 3

Dielectric Voltage: Withstands 2000V per UL498

Current Limiting: Full Rated Current

Temperature Rise: Max 30C after 250 cycles OL at 200 percent rated current

Environmental Specifications

Flammability: Rated V-2 per UL94

Operating Temperature: -40C to 60C

Material Specifications

Face Material: Thermoplastic Nylon

Body Material: Thermoplastic Nylon

Grounding Screw: Brass 8-32

Clamp Nuts: Zinc-Plated Steel

Ground Clips: Brass-Plated

Face Material: Nylon

Body Material: Nylon

Strap Material: Galvanized Steel with Riveted Ground Contacts

Line Contacts: Brass Triple-Wipe

Terminal Screws: Brass 10-32

Grounding Screw: Steel 8-32

Clamp Nuts: Galvanized Steel

Ground Clips: Brass

Color: Red

Mechanical Specifications

Terminal ID: Brass-Hot, Green-Ground, White-Neutral

Terminal ID: Brass-Hot, Green-Ground, Silver-Neutral

Terminal Accom.: 14-10 AWG

Product ID: Ratings are permanently marked on device

Torque Range: 14-16 inch pounds

Product Features

Grounding: Self Grounding

Face Material: Thermoplastic Nylon

NEMA: 5-15R

Body Material: Thermoplastic Nylon

Strap Material: Steel

Color: Red

Standards and Certifications

NEMA: WD-1 & WD-6

ANSI: C-73

UL498: File E13399

UL Fed Spec WC-596: File E13399

CSA C22.2 No. 42: File 152105

NOM: 057

Warranty: 2 Year Limited



Color:  Red

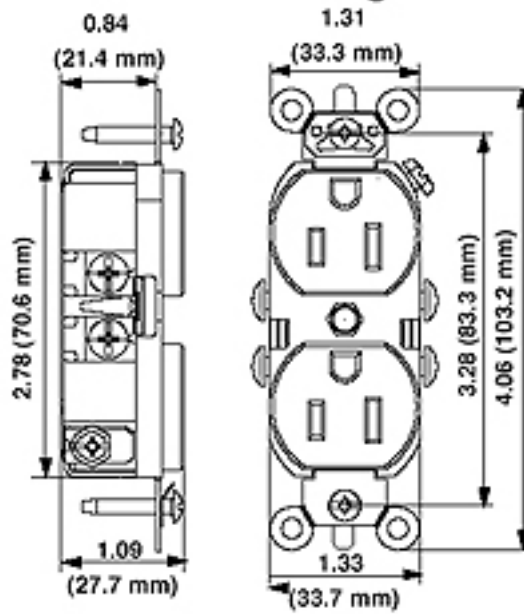
UPC Code: 07847714113

Country of Origin: Mexico - *Eligible for ARRA funded projects > \$7,443,000

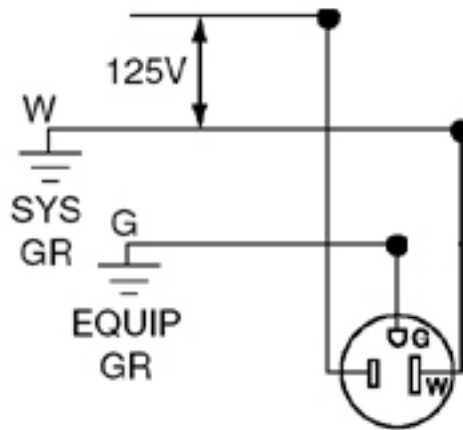
NEMA: 5-15R



Dimensional Diagram



Wiring Diagram



5-15R

SPECIFICATION SUBMITTAL

JOB NAME:	CATALOG NUMBERS:	
<input type="text"/>	<input type="text"/>	<input type="text"/>
JOB NUMBER:	<input type="text"/>	<input type="text"/>

Leviton Manufacturing Co., Inc.

201 North Service Road, Melville, NY 11747

Telephone: 1-800-323-8920 · FAX: 1-800-832-9538 · Tech Line (8:30AM-7:30PM E.S.T. Monday-Friday): 1-800-824-3005

Leviton Manufacturing of Canada, Ltd.

165 Hymus Boulevard, Pointe Claire, Quebec H9R 1E9 · Telephone: 1-800-469-7890 ·

FAX: 1-800-824-3005 · www.leviton.com/canada

Leviton S. de R.L. de C.V.

Lago Tana 43, Mexico DF, Mexico CP 11290 · Tel.: (+52)55-5082-1040 · FAX: (+52)5386-1797 · www.leviton.com.mx

Visit our Website at: www.leviton.com

© 2012-2014 Leviton Manufacturing Co., Inc. All rights reserved. Subject to change without notice.



Leviton has a global presence.

If you would like to know where your local Leviton office is located please go to: www.leviton.com/international/contacts/

**Buy American Compliant Logo -- The American Recovery And Reinvestment Act of 2009 ("ARRA") provides federal grants and loans for projects throughout the country. Section 1605 of the Act, named the "Buy American" provision, requires that certain materials and manufactured products used in projects funded by the Act be manufactured in the United States. The appearance of the Recovery Act Logo in relation to a Leviton product is only intended to reflect that such product may be used in an ARRA funded project. It does not mean that such product or Leviton is sponsored or endorsed by, or that Leviton receives funds from, the federal government or the Recovery Accountability and Transparency Board. Nothing in Leviton's use of the logo is intended to suggest anything regarding the requirements for funding under ARRA.*