

Decora® Insert with Telephone 6P4C Jack and F-Connector Coupler

APPLICATION

Leviton Telephone and Video Decora inserts are ideal where flush mount telephone or video connection plates are needed. The Decora inserts support voice and video applications in NEMA openings where a Decora-brand look is desired. Durable video connection wallplates are available with a nickel-plated female-to-female 75 Ohm F-Connector Coupler.



40659-00W

40682-00W

40681-00x

SPECIFICATION

The Leviton Telephone and Video Decora Inserts shall meet all applicable standards and be available in 3 configurations including a single F-Connector Coupler insert, a dual F-Connector Coupler insert, and a combination F-Connector Coupler and 6P4C telephone connector insert. The inserts shall fit standard NEMA openings and support Leviton Decora wallplates. The F-Connector Coupler shall support all video applications and support frequencies up to 3GHz. The 6P4C connector shall utilize a lead-frame design and provide four screw terminals for easy termination. USOC Terminal designation shall be molded into the connector.

FEATURES

- Mounts to single-gang backboxes or four-square boxes with appropriate user-provided reducer
- Smooth finish matches Leviton's existing Decora wallplates for a consistent look throughout the home or business
- Decora inserts are compatible with Decora wallplates and Decora Plus screwless wallplates
- Available with one F-Connector Coupler, two F-Connector Couplers or a combination F-Connector Coupler and 6P4C

DESIGN CONSIDERATIONS

- Compatible with Decora Plus Wallplates when used with standard NEMA back boxes that sit flush or are slightly recessed in the wall
- Not compatible with Decora Plus Wallplates when used with low-voltage box eliminators

STANDARDS & REGULATIONS

- cULus Listed and meets FCC part 68
- ANSI/SCTE (F-Connector)

MECHANICAL SPECIFICATIONS

Dimensions:	See page 2
Color:	See page 2
Material:	Polycarbonate

COUNTRY OF ORIGIN

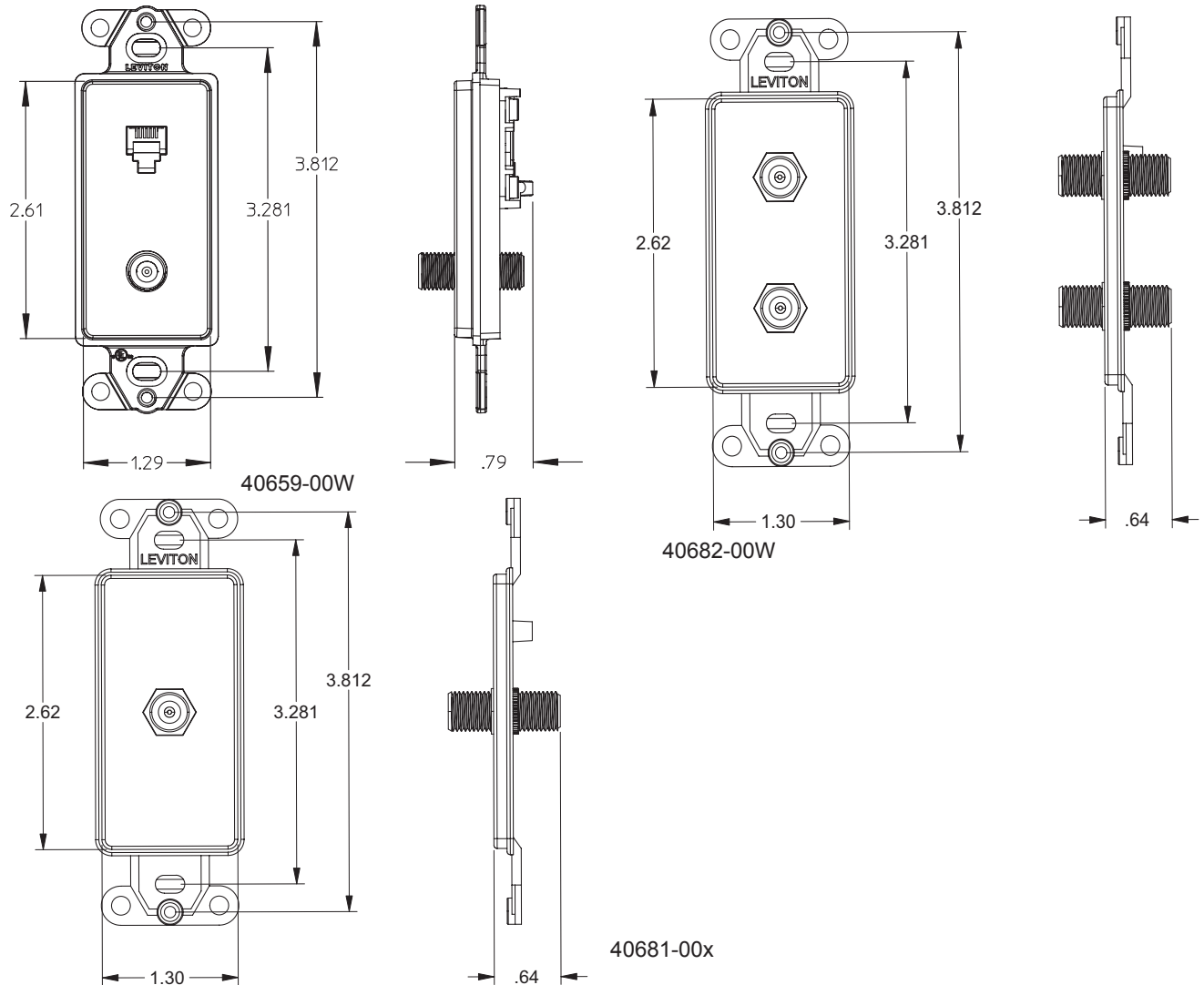
40659:	USA
40681, 40682:	Taiwan

WARRANTY INFORMATION

For Leviton product warranties, go to leviton.com/warranty

40659-00W, 40681-00x, 40682-00W

PRODUCT SPECIFICATIONS
40659-00W, 40681-00x, 40682-00W



40659-00W, 40681-00x, 40682-00W

PART NUMBERS

Description	White	Lt. Almond	Ivory	Gray	Brown
Decora Insert, 6P4C and F-Connector Coupler	40659-00W	—	—	—	—
Decora Insert, one F-Connector Coupler	40681-00W	40681-00T	40681-00I	40681-0GY	40681-00B
Decora Insert, two F-Connector Couplers	40682-00W	—	—	—	—

For further support information, visit leviton.com/ns/support



NETWORK SOLUTIONS GLOBAL HEADQUARTERS
 Bothell, WA, USA | leviton.com/ns
 (800) 824 3005 / +1 (425) 486 2222 | appeng@leviton.com

NETWORK SOLUTIONS EUROPEAN HEADQUARTERS
 Glenrothes, UK | leviton.com/ns/emea
 +44 (0) 1592 772124 | customerserviceeu@leviton.com

Leviton is dedicated to designing, developing and manufacturing sustainable high-performance structured cabling and speciality cabling solutions. Network Solutions products are available worldwide in over 100 countries. Visit us online to learn more.