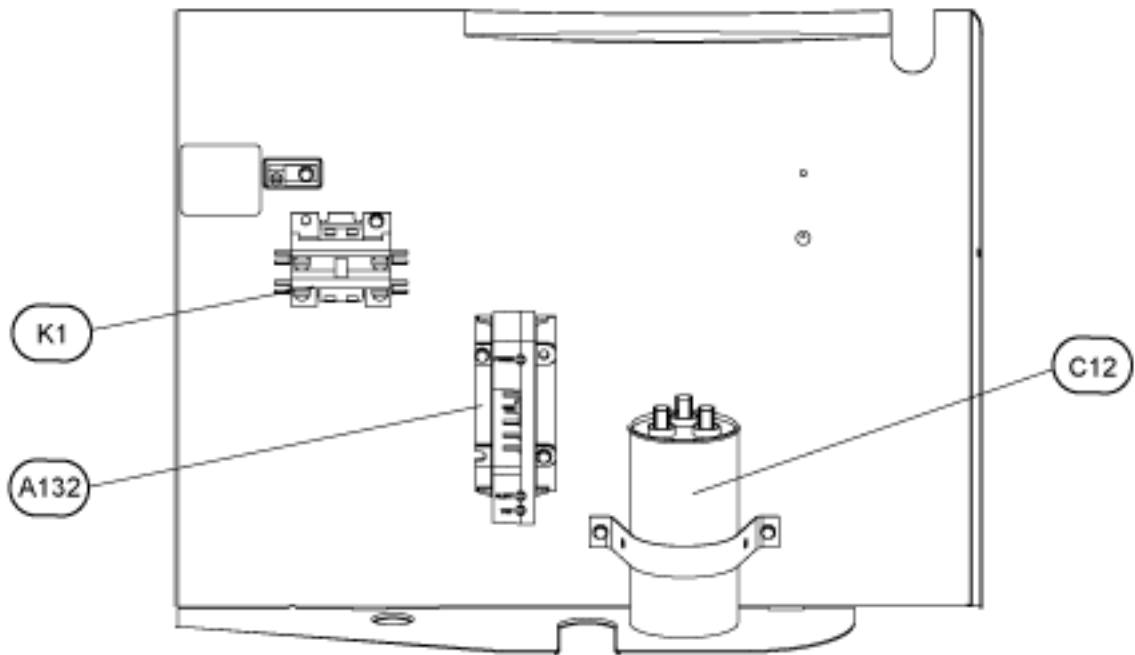


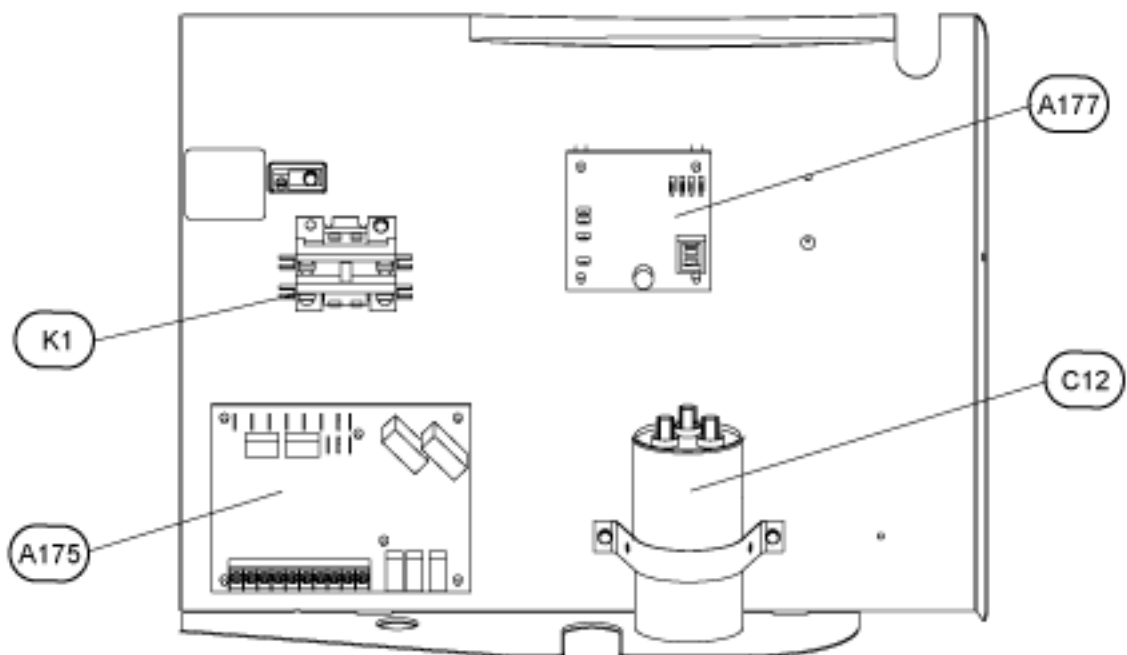
COOLING-CONDENSING
PRODUCTION STARTED FEBRUARY, 2005

XC21 CONTROL PANEL

WITH LSOM CONTROL



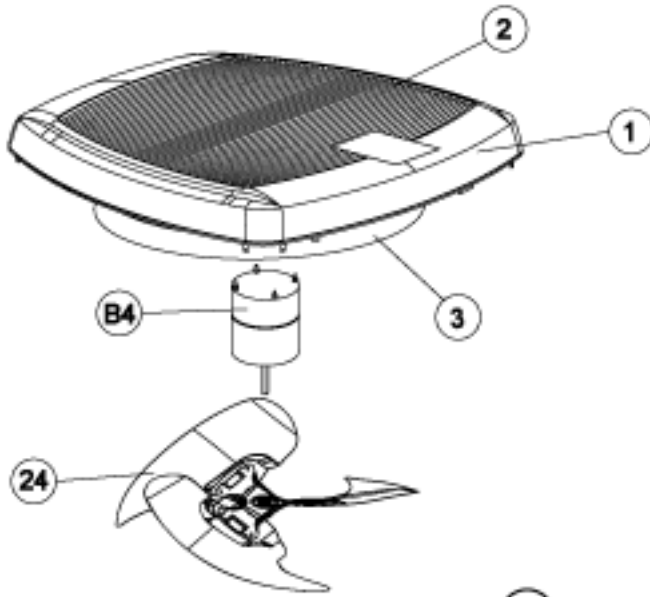
WITH COMMUNICATING CONTROL



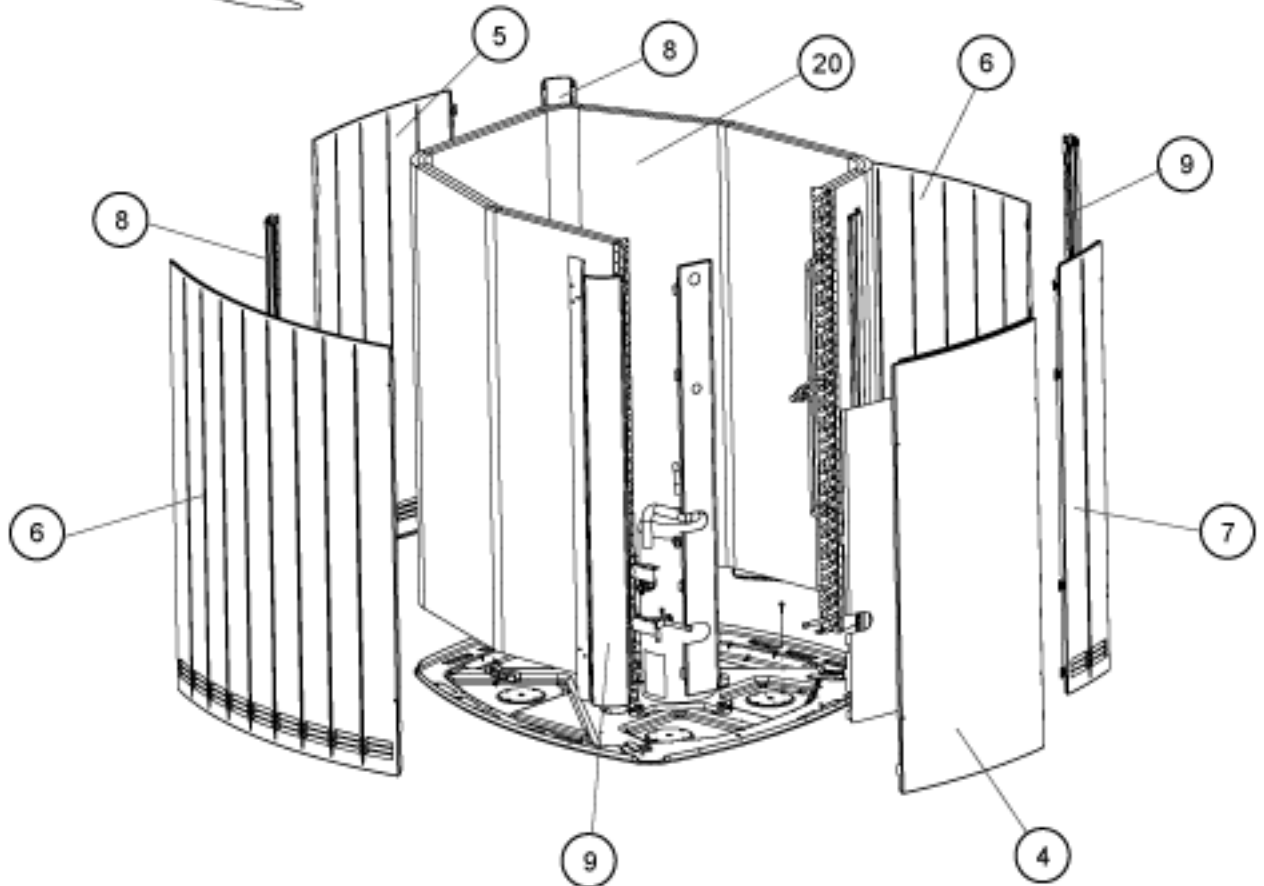
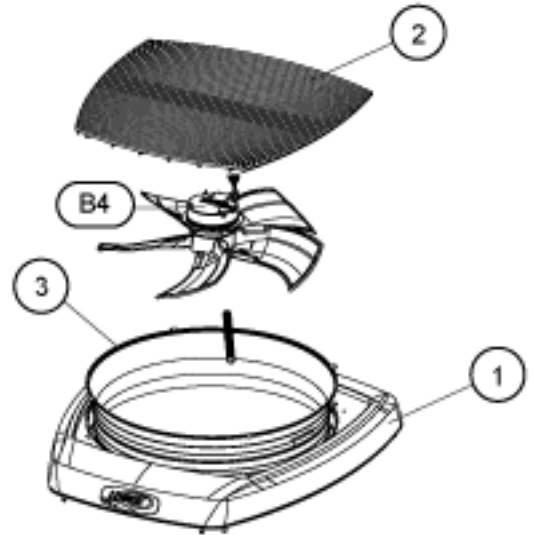
COOLING-CONDENSING
PRODUCTION STARTED FEBRUARY, 2005

XC21 SERIES

TOP PANEL FOR XC21-DASH 1 TO 4 ONLY

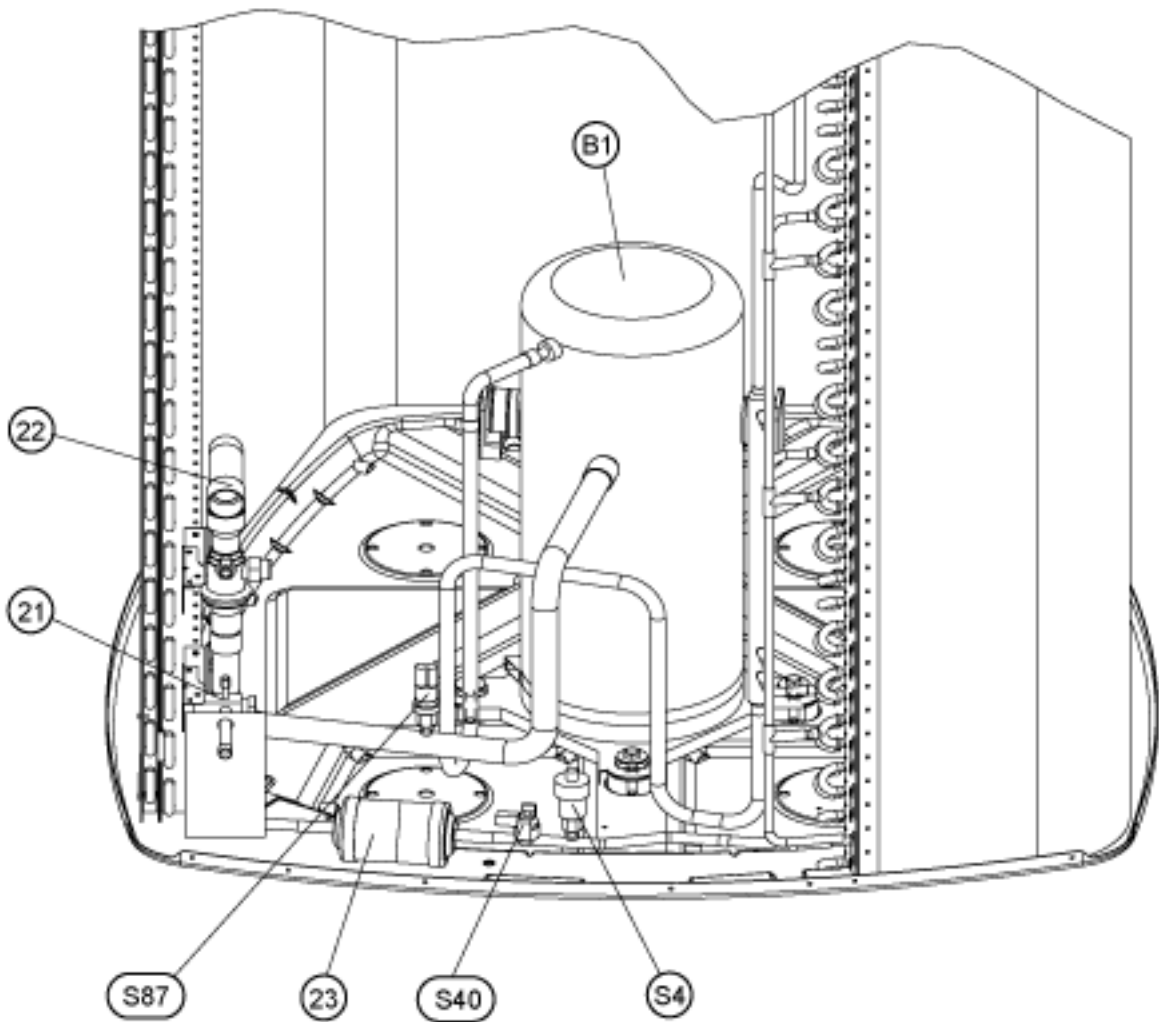


TOP PANEL FOR XC21-DASH 5 ON



COOLING-CONDENSING
PRODUCTION STARTED FEBRUARY, 2005

XC21 SERIES (XC21-060 SHOWN)



XC21-024-230				DASH/Revision # with Qty					
Key	Part Name	Part Number	Description	1	2	3	4	5	6
Category:CABINET PARTS									
1	ASSY-PANEL TOP LARGE	103402-02	ASSY-PANEL TOP (LARGE)						
1	ASSY-PANELTOP LARGE	103402-01	ASSY-PANEL TOP (LARGE)						
1	PANEL-TOP	LB-107731A	PANEL-TOP ASSY	1	1				
1	PANEL-TOP	LB-107731E	ASSY-PANEL TOP (LARGE)			1	1	1	1
2	GRILLE-DISCHARGE	100028-01	GRILLE-DISCHARGE (LARGE)	1	1	1	1	1	1
3	ORIFICE LARGE 26.5 I.D.	100002-03	ORIFICE LARGE 26.5 I.D.					1	1
3	ORIFICE-FAN	100002-01	ORIFICE (LARGE 26.5 I.D.)	1	1	1	1		
	MULLION	LB-107711-42	RIGHT	1	1	1	1	1	1
4	ACCESS PANEL	LB-107709-42	ACCESS PANEL						
4	PANEL	LB-59022CAC	ACCESS	1	1	1	1	1	1
5	PANEL	LB-107755-42	5 LOUVER	1	1	1	1	1	1
6	PANEL	LB-107759-42	9 LOUVER	2	2	2	2	2	2
7	PANEL-REAR	LB-107752-42	2 LOUVER	1	1	1	1	1	1
	PANEL-PIPING	LB-107712-42	PANEL - PIPING	1	1	1	1	1	1
8	CORNER POST	LB-107737-42	FRONT	2	2	2	2	2	2
B1A			CHECK TO SEE IF CC NEEDS BE CHANGED						
9	CORNER POST	LB-107738-42	REAR	2	2	2	2	2	2
	LEG	100007-01	BASE	4	4				
	LEG	101263-01	BASE (FRONT)			2	2	2	2
	LEG	101263-02	BASE (REAR)			2	2	2	2
	NUT-CAP	100094-01	MOTOR	4	4	4	4	4	4
Category:COOLING PARTS									
20	ASSY - REPAIR PART (XC21 COIL)	LB-110702H	W/MANIFOLD						
20	COIL-OUTDOOR	LB-110702A	W/MANIFOLD	1	1	1	1	1	1

XC21-024-230				DASH/Revision # with Qty					
Key	Part Name	Part Number	Description	1	2	3	4	5	6
	SUPPORT-COIL	LB-107705-42	COIL SUPPORT	1	1	1	1	1	1
21	VALVE-SERVICE	100033-01	"LIQUID LINE,3/8""	1	1	1	1	1	1
22	VALVE-BALL SERVICE 7/8 X 7/8	102831-05	VALVE-BALL 7/8 X 7/8 (SANHUA)						
22	VALVE-SERVICE	100280-01	"SUCTION LINE,7/8"" X 7/8""	1	1				
22	VALVE-SERVICE	100609-02	"SUCTION LINE,7/8"" X 7/8""			1	1	1	
22	VALVE-SERVICE	102831-02	VALVE-BALL 7/8 X 7/8 (SANHUA)						1
23	DRIER	100214-03	LIQUID LINE (FOOTNOTE 1)				1	1	1
23	DRIER	37L5201	LIQUID LINE (FOOTNOTE 1)	1	1	1			
	CORE-VALVE	100210-01	CORE - VALVE				2	2	2
	FITTING PRESS TAP	86G6401	FITTING, PRESSURE TAP	2	2	2			
	FITTING-PRESS TAP	100520-01	FITTING - PRESSURE TAP (BRASS)				2	2	2
	VALVE CORE	P-8-1897	VALVE, CORE	2	2	2			
24	FAN	100017-03	"1/2""BORE,26""DIA,3 BLADE"	1	1	1	1		
B1	COMPRESSOR	100504-01	"1.5 TON,208-230/60/1,COPE # (NOTE 1)	1	1	1	1	1	1
B1	COMPRESSOR ZPS20K5 E-PFV-130	103137-01	COMPRESSOR ZPS20K5E-PFV-130(NOTE 1)						
			RELAY-OVERLOAD COMP-INTERNAL	1	1	1	1	1	1
	HARNESS-COMP	100037-01	MOLDED PLUG FOR 2ND STAGE	1	1	1	1	1	1
	HARNESS-COMP	15M3501	MOLDED PLUG-POWER	1	1	1	1	1	1
	HARNESS-COMP	49M7301	HARNESS MOLDED PLUG (LOW VOLTAGE)						
	MOUNT PKG-COMP	LB-106528	MOUNT PKG-COMP	1	1	1	1	1	1
	WRAPPER	LB-89684Y	COMPRESSOR	1	1	1	1	1	1
B4	MOTOR w/FAN ASSY	102803-01	1/3HP, VARIABLE RPM, 208-230/60/1					1	
B4	MOTOR w/FAN ASSY	102803-02	1/3HP, VARIABLE RPM, 208-230/60/1						1
B4	MOTOR w/FAN ASSY	102803-04	1/3HP, VARIABLE RPM, 208-230/60/1						
B4	MOTOR-FAN	100016-01	"1/3HP, VARIABLE RPM,208-230/60/1(NOTE 2	1					

XC21-024-230				DASH/Revision # with Qty					
Key	Part Name	Part Number	Description	1	2	3	4	5	6
B4	MOTOR-FAN	100016-02	"1/3HP, VARIABLE RPM,208-230/60/1(NOTE 2		1	1	1		
HR1	HEATER-CRANKCASE	100499-01	"240V, 40 WATT"						
HR1	HEATER-CRANKCASE	100499-03	"240V, 70 WATT"				1	1	1
HR1	HEATER-CRANKCASE	67K9001	"240V, 70 WATT"	1	1	1			
S4	SWITCH-HI PRESS	100103-01	CUTOOUT 590 PSIG	1	1	1			
S4	SWITCH-HI PRESS-AUTO	100087-01	CUTOOUT 590 PSIG				1	1	1
S40	THERMOSTAT	56M6201	"CC HEATER, OPEN 70F, CLOSE 50 F"	1	1	1	1	1	1
S87	SWITCH-LO PRESS	49M4901	"IN 90PSIG,OUT 40PSIG"	1	1	1			
S87	SWITCH-LO PRESS-AUTO	100087-03	"IN 90PSIG,OUT 40PSIG"				1	1	1
Category:CONTROL PANEL PARTS									
A132	MODULE	100034-01	LSOM 2 (LENNOX SYSTEM OPERATION MODULE)	1	1	1			
A175	KIT - iCOMFORT CONTROL	605341-04	iCOMFORT CONTROL KIT-2 SPEED A/C				1	1	1
A175	KIT - iCOMFORT CONTROL	605341-08	KIT I-COMFORT CONTROL						
A175	KIT - iCOMFORT CONTROL	605341-09	KIT - iCOMFORT CONTROL						
	SENSOR HARNESS	101334-03	W/RT13 & RT28 SENSORS				1	1	1
A177	KIT (PWM - CONTROL BOARD)	605953-01	BOARD-PRINTED CIRCUIT (MOTOR CONTROL)					1	1
	PROTECTOR-MOTOR MOV SURGE PROTECTOR	103006-01	PROTECTOR-MOTOR/SURGE PROTECTOR					1	
C12	CAPACITOR-DUAL	100335-05	"35+5MFD,370VAC(ROUND)"				1	1	1
C12	CAPACITOR-FAN&RUN	100335-06	35 / 5 MFD @ 440V ROUND						
C12	CAPACITOR-FAN&RUN	63K8601	"35+5MFD,370VAC(ROUND)"	1	1	1			
K1	CONTACTOR	100438-01	"SPST,24V"				1	1	1
K1	CONTACTOR	65C6901	"SPST,24V"	1	1	1			
Category:*OPTIONAL PARTS-FIELD INSTALLED									
ST KIT	START KIT	10J42	INCL NEXT 2 PARTS	1	1	1			
B	CAPACITOR-START	47A6001	88 + 108 MFD @ 330V ROUND	1	1	1			

XC21-024-230				DASH/Revision # with Qty					
Key	Part Name	Part Number	Description	1	2	3	4	5	6
A	RELAY-POTENTIAL	P-8-3577	SPNC	1	1	1			
ST KT1	KIT-START	LB-31200BAS	INCL NEXT 2 PARTS				1	1	1
	CAPACITOR-START	47A6001	88-108 MFD @ 330V ROUND				1	1	1
	RELAY-POTENTIAL	74H0101	SPNC				1	1	1

XC21-024-230				DASH/Revision # with Qty			
Key	Part Name	Part Number	Description	7	8	9	10
Category:CABINET PARTS							
1	ASSY-PANEL TOP LARGE	103402-02	ASSY-PANEL TOP (LARGE)				1
1	ASSY-PANELTOP LARGE	103402-01	ASSY-PANEL TOP (LARGE)	1	1	1	
1	PANEL-TOP	LB-107731A	PANEL-TOP ASSY				
1	PANEL-TOP	LB-107731E	ASSY-PANEL TOP (LARGE)				
2	GRILLE-DISCHARGE	100028-01	GRILLE-DISCHARGE (LARGE)	1	1	1	1
3	ORIFICE LARGE 26.5 I.D.	100002-03	ORIFICE LARGE 26.5 I.D.	1	1	1	1
3	ORIFICE-FAN	100002-01	ORIFICE (LARGE 26.5 I.D.)				
	MULLION	LB-107711-42	RIGHT	1	1	1	1
4	ACCESS PANEL	LB-107709-42	ACCESS PANEL		1	1	1
4	PANEL	LB-59022CAC	ACCESS	1			
5	PANEL	LB-107755-42	5 LOUVER	1	1	1	1
6	PANEL	LB-107759-42	9 LOUVER	2	2	2	2
7	PANEL-REAR	LB-107752-42	2 LOUVER	1	1	1	1
	PANEL-PIPING	LB-107712-42	PANEL - PIPING	1	1	1	1
8	CORNER POST	LB-107737-42	FRONT	2	2	2	2
B1A			CHECK TO SEE IF CC NEEDS BE CHANGED				
9	CORNER POST	LB-107738-42	REAR	2	2	2	2
	LEG	100007-01	BASE				
	LEG	101263-01	BASE (FRONT)	2	2	2	2
	LEG	101263-02	BASE (REAR)	2	2	2	2
	NUT-CAP	100094-01	MOTOR	4	4	4	4
Category:COOLING PARTS							
20	ASSY - REPAIR PART (XC21 COIL)	LB-110702H	W/MANIFOLD				1
20	COIL-OUTDOOR	LB-110702A	W/MANIFOLD	1	1	1	

XC21-024-230				DASH/Revision # with Qty			
Key	Part Name	Part Number	Description	7	8	9	10
	SUPPORT-COIL	LB-107705-42	COIL SUPPORT	1	1	1	1
21	VALVE-SERVICE	100033-01	"LIQUID LINE,3/8""	1	1	1	1
22	VALVE-BALL SERVICE 7/8 X 7/8	102831-05	VALVE-BALL 7/8 X 7/8 (SANHUA)				1
22	VALVE-SERVICE	100280-01	"SUCTION LINE,7/8"" X 7/8""				
22	VALVE-SERVICE	100609-02	"SUCTION LINE,7/8"" X 7/8""				
22	VALVE-SERVICE	102831-02	VALVE-BALL 7/8 X 7/8 (SANHUA)	1	1	1	
23	DRIER	100214-03	LIQUID LINE (FOOTNOTE 1)	1	1	1	1
23	DRIER	37L5201	LIQUID LINE (FOOTNOTE 1)				
	CORE-VALVE	100210-01	CORE - VALVE	2	2	2	2
	FITTING PRESS TAP	86G6401	FITTING, PRESSURE TAP				
	FITTING-PRESS TAP	100520-01	FITTING - PRESSURE TAP (BRASS)	2	2	2	2
	VALVE CORE	P-8-1897	VALVE, CORE				
24	FAN	100017-03	"1/2""BORE,26""DIA,3 BLADE"				
B1	COMPRESSOR	100504-01	"1.5 TON,208-230/60/1,COPE # (NOTE 1)	1			
B1	COMPRESSOR ZPS20K5 E-PFV-130	103137-01	COMPRESSOR ZPS20K5E-PFV-130(NO TE 1)		1	1	1
			RELAY-OVERLOAD COMP-INTERNAL	1	1	1	1
	HARNESS-COMP	100037-01	MOLDED PLUG FOR 2ND STAGE	1			
	HARNESS-COMP	15M3501	MOLDED PLUG-POWER	1	1	1	1
	HARNESS-COMP	49M7301	HARNESS MOLDED PLUG (LOW VOLTA GE)		1	1	1
	MOUNT PKG-COMP	LB-106528	MOUNT PKG-COMP	1	1	1	1
	WRAPPER	LB-89684Y	COMPRESSOR	1	1	1	1
B4	MOTOR w/FAN ASSY	102803-01	1/3HP, VARIABLE RPM, 208-230/6 0/1				
B4	MOTOR w/FAN ASSY	102803-02	1/3HP, VARIABLE RPM, 208-230/6 0/1	1	1	1	
B4	MOTOR w/FAN ASSY	102803-04	1/3HP, VARIABLE RPM, 208-230/6 0/1				1
B4	MOTOR-FAN	100016-01	"1/3HP, VARIABLE RPM,208-230/6 0/1(NOTE 2				

XC21-024-230				DASH/Revision # with Qty			
Key	Part Name	Part Number	Description	7	8	9	10
B4	MOTOR-FAN	100016-02	"1/3HP, VARIABLE RPM,208-230/60/1(NOTE 2				
HR1	HEATER-CRANKCASE	100499-01	"240V, 40 WATT"		1	1	1
HR1	HEATER-CRANKCASE	100499-03	"240V, 70 WATT"	1			
HR1	HEATER-CRANKCASE	67K9001	"240V, 70 WATT"				
S4	SWITCH-HI PRESS	100103-01	CUTOOUT 590 PSIG				
S4	SWITCH-HI PRESS-AUTO	100087-01	CUTOOUT 590 PSIG	1	1	1	1
S40	THERMOSTAT	56M6201	"CC HEATER, OPEN 70F, CLOSE 50 F"	1	1	1	1
S87	SWITCH-LO PRESS	49M4901	"IN 90PSIG,OUT 40PSIG"				
S87	SWITCH-LO PRESS-AUTO	100087-03	"IN 90PSIG,OUT 40PSIG"	1	1	1	1
Category:CONTROL PANEL PARTS							
A132	MODULE	100034-01	LSOM 2 (LENNOX SYSTEM OPERATION MODULE)				
A175	KIT - iCOMFORT CONTROL	605341-04	iCOMFORT CONTROL KIT-2 SPEED A/C	1			
A175	KIT - iCOMFORT CONTROL	605341-08	KIT I-COMFORT CONTROL		1		1
A175	KIT - iCOMFORT CONTROL	605341-09	KIT - iCOMFORT CONTROL			1	
	SENSOR HARNESS	101334-03	W/RT13 & RT28 SENSORS	1	1	1	1
A177	KIT (PWM - CONTROL BOARD)	605953-01	BOARD-PRINTED CIRCUIT (MOTOR CONTROL)	1			
	PROTECTOR-MOTOR MOTOR SURGE PROTECTOR	103006-01	PROTECTOR-MOTOR/SURGE PROTECTOR				
C12	CAPACITOR-DUAL	100335-05	"35+5MFD,370VAC(ROUND)"	1			
C12	CAPACITOR-FAN&RUN	100335-06	35 / 5 MFD @ 440V ROUND		1	1	1
C12	CAPACITOR-FAN&RUN	63K8601	"35+5MFD,370VAC(ROUND)"				
K1	CONTACTOR	100438-01	"SPST,24V"	1	1	1	1
K1	CONTACTOR	65C6901	"SPST,24V"				
Category:*OPTIONAL PARTS-FIELD INSTALLED							
ST KIT	START KIT	10J42	INCL NEXT 2 PARTS		1	1	1
B	CAPACITOR-START	47A6001	88 + 108 MFD @ 330V ROUND		1	1	1

XC21-024-230				DASH/Revision # with Qty			
Key	Part Name	Part Number	Description	7	8	9	10
A	RELAY-POTENTIAL	P-8-3577	SPNC		1	1	1
ST KT1	KIT-START	LB-31200BAS	INCL NEXT 2 PARTS	1			
	CAPACITOR-START	47A6001	88-108 MFD @ 330V ROUND	1			
	RELAY-POTENTIAL	74H0101	SPNC	1			

NOTE

NOTE 1: Compressor uses POE oil. The filter drier MUST BE replaced at time of compressor change. Please advise customer of this requirement.