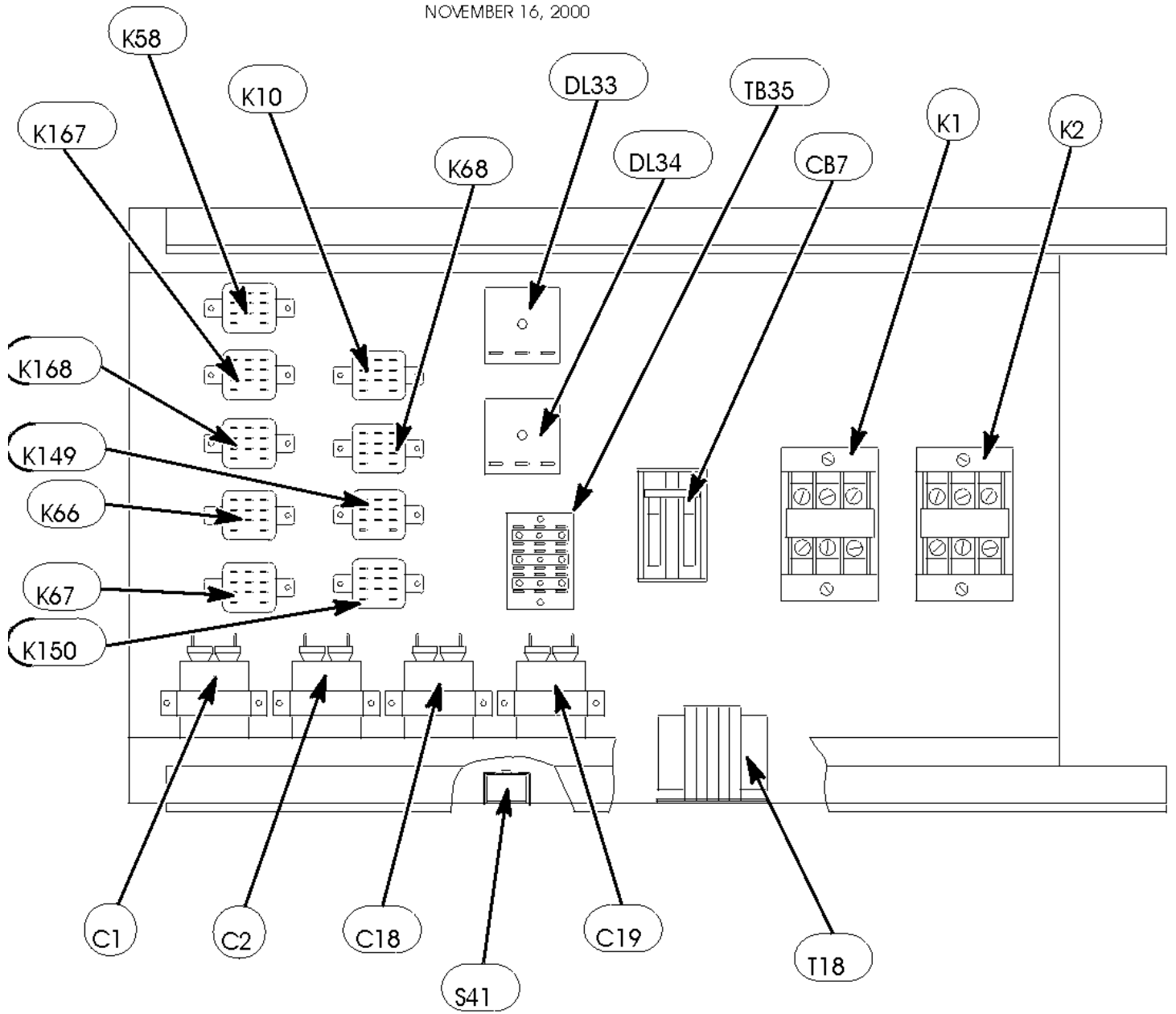
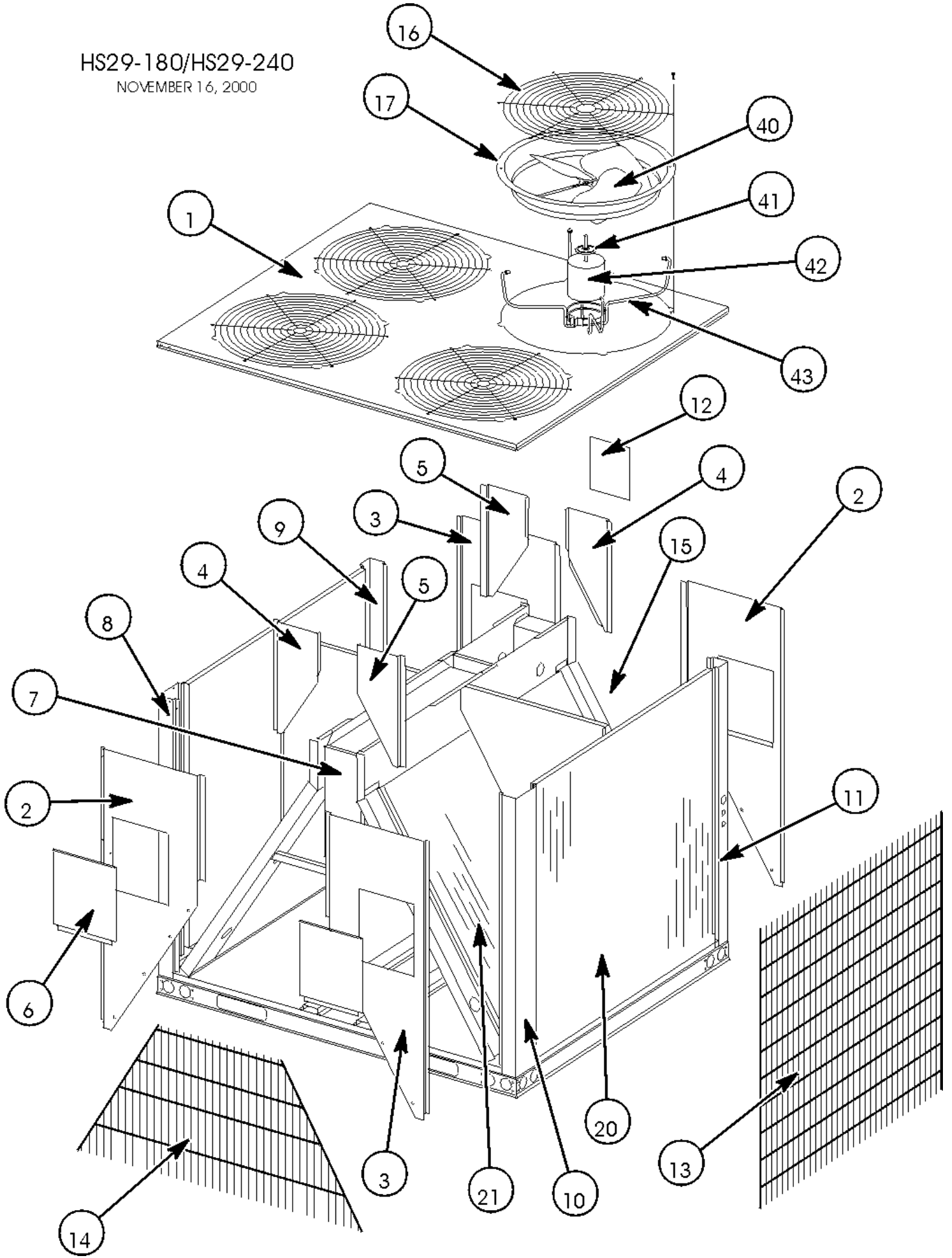


HS29-180/HS29-240 CONTROL BOX

NOVEMBER 16, 2000

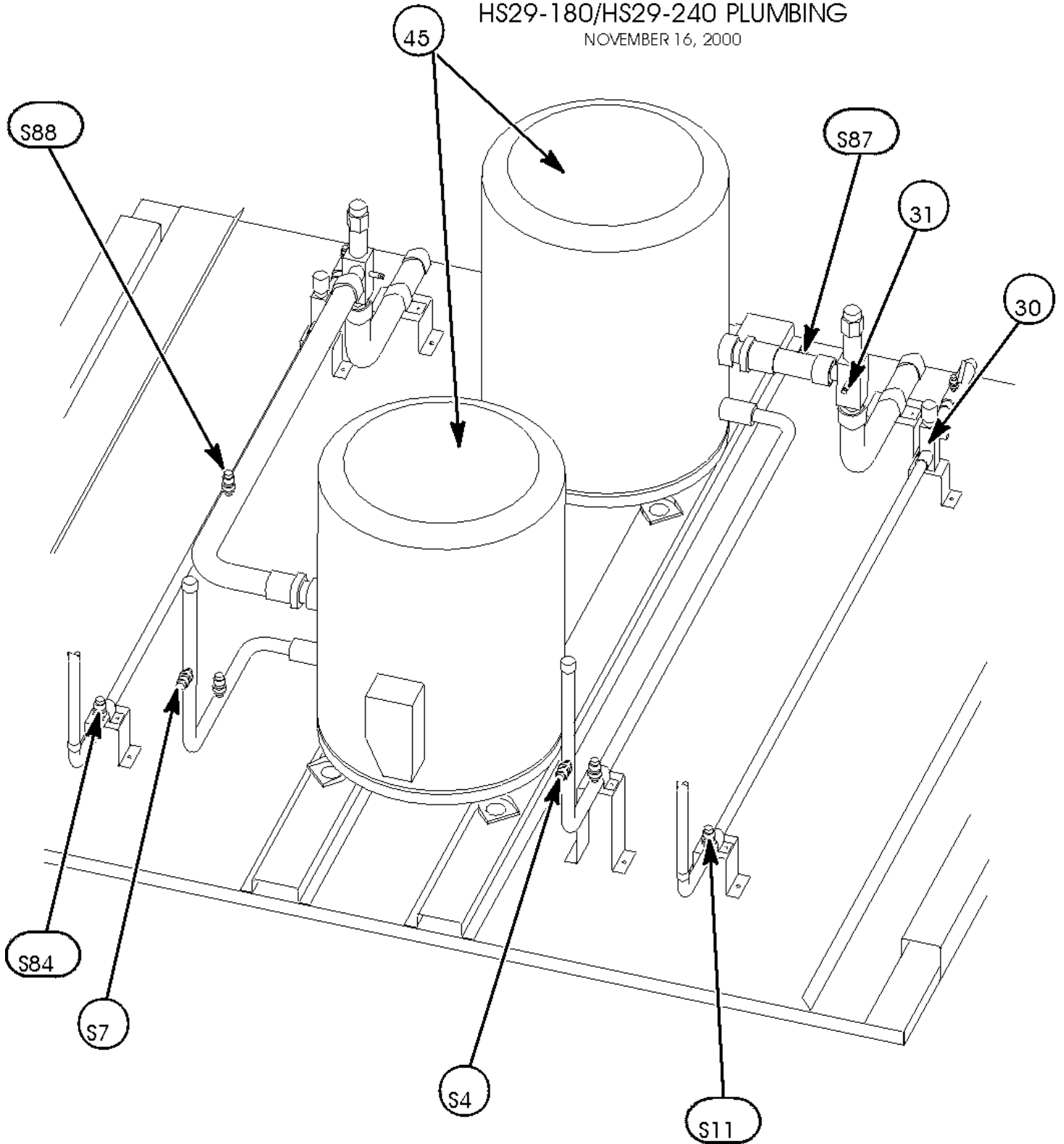


HS29-180/HS29-240  
NOVEMBER 16, 2000



HS29-180/HS29-240 PLUMBING

NOVEMBER 16, 2000



HS29-240				DASH/Revision # with Qty
Key	Part Name	Part Number	Description	
Category:CABINET PARTS				
1	PANEL	LB-88508	(ORDER ORIFICE W/TOP PANEL)	1
10	POST-CORNER	LB-88500	FRONT-RIGHT	1
11	POST-CORNER	LB-90138	REAR-RIGHT	1
12	PANEL	LB-88533	ACCESS-FRONT & REAR	2
13	GUARD-OUTDOOR COIL	41K6701	LEFT & RIGHT	2
14	GUARD-OUTDOOR COIL	63K2501	FRONT	1
15	GUARD-OUTDOOR COIL	41K6801	REAR	1
16	GRILLE-DISCHARGE	21J3101	GRILLE, FAN GUARD	4
	HANDLE	73K9901	CONTROL PANEL DOOR	1
17	RING-ORIFICE	LB-100110A	(2 PC ASSY)	4
2	PANEL	LB-90140	"FRONT-LEFT,REAR-RIGHT"	2
3	PANEL	LB-88482	"FRONT-RIGHT,REAR-LEFT"	2
4	PANEL	LB-90141	"FILLER-FRONT-LEFT,REAR-RIGHT"	2
5	PANEL	LB-88484	"FILLER-FRONT-RIGHT,REAR-LEFT"	2
6	PANEL	LB-88499	COIL ACCESS	4
7	DOOR	LB-88474	CONTROL BOX	1
8	POST-CORNER	LB-88480	FRONT-LEFT	1
9	POST-CORNER	LB-90137	REAR-LEFT	1
Category:COOLING PARTS				
20	COIL-OUTDOOR	LB-92980G	"OUT,2ND STG W/MANIFOLD(L-240) "	1
20	COIL-OUTDOOR	LB-92980H	"OUT,1ST STG W/MANIFOLD(R-240) "	1
21	COIL-OUTDOOR	LB-92980J	"IN,2ND STG W/MANIFOLD(L-240)"	1
21	COIL-OUTDOOR	LB-92980K	"IN,1ST STG W/MANIFOLD(R-240)"	1
30	VALVE-CHECK	65G0801	"LIQUID LINE,5/8""(BEFORE 7-12-01)"	2

HS29-240				DASH/Revision # with Qty
Key	Part Name	Part Number	Description	
30	VALVE-SERVICE	68J1101	"LIQUID LINE,5/8""(AFTER 7-12-01)"	2
31	VALVE-SERVICE	60L5201	"SUCTION LINE,1-3/8""	2
	CAP-SEAL	P-8-3187	CAP, BRASS	2
	FITTING PRESS TAP	86G6401	FITTING, PRESSURE TAP	8
	VALVE CORE	P-8-1897	VALVE, CORE 8075910047	8
40	FAN	65C6801	"1/2"" BORE,24""DIA,3 BLADE"	4
41	SHIELD-RAIN	P-8-6142	SHIELD, MOTOR	4
42	MOTOR-FAN	79J8101	"1/3HP,1075RPM,208-230/60/1"	4
42	MOTOR-FAN	79J8201	"1/3HP,1075RPM,460/60/1 & INTL"	4
42	MOTOR-FAN	79J8301	"1/3HP,1075RPM,575/60/1"	4
43	BRACKET	78L4101	MOUNT, MOTOR	4
	HARNESS-WIRING	LB-91549	O.D. FAN ASSY	1
45	COMPRESSOR	60L0501	"10TON,208-230/60/3, COPE(240)"	2
45	COMPRESSOR	60L0601	"10TON,460/60/3,COPE(240)"	2
45	COMPRESSOR	60L0701	"10TON,575/60/3,COPE(240)"	2
	HEATER-CRANKCASE	99K4201	EXTERNAL(460V & 380/420V)	2
	HEATER-CRANKCASE	99K4601	EXTERNAL(575V)	2
	HEATER-CRANKCASE	99K4701	EXTERNAL(208/230V)	2
	MOUNT PKG-COMP	74J3001PR	(180 & 240)	2
S7	SWITCH-HI PRESS	85C8701	CUTOUT 410PSIG	1
S4	SWITCH-HI PRESS	85C8701	CUTOUT 410PSIG	1
S84	SWITCH-LO AMBIENT	18J7401	"IN 275+10 PSI,OUT 150+10 PSI"	1
S11	SWITCH-LO AMBIENT	18J7401	"IN 275+10 PSI,OUT 150+10 PSI"	1
	DRIER	52A1601	-240	2
	DRIER	P-8-10807	(240-AFTER 11/01/02 PROD)	2

HS29-240				DASH/Revision # with Qty
Key	Part Name	Part Number	Description	
S88	SWITCH-LO PRESS	85C2301	"(2ND STG)IN 55+5 PSIG,OUT 25+5 PSIG"	1
S87	SWITCH-LO PRESS	85C2301	"(2ND STG)IN 55+5 PSIG,OUT 25+5 PSIG"	1
Category:CONTROL PANEL PARTS				
C2	CAPACITOR	39H6101	"O.D.FAN,10 MFD,370VA"	1
C19	CAPACITOR	39H6101	"O.D.FAN,10 MFD,370VA"	1
C18	CAPACITOR	39H6101	"O.D.FAN,10 MFD,370VA"	1
C1	CAPACITOR	39H6101	"O.D.FAN,10 MFD,370VA"	1
	CAPACITOR	39H6301	"O.D.FAN(1-4)15MFD,370VA(INTL)"	4
CB7	BREAKER-CIRCUIT	47A8901	208/230V	1
	BLOCK-TERMINAL	72F8801	POWER ENTRY BOX	1
	BOX	97H2201	GFI	1
	BRACKET	LB-88590	GFI	1
	COVER	29K2401	DISCONNECT	1
	COVER	86H8501	GFI	1
	DOOR	LB-88501	POWER BOX(DIS/GFI)	1
	DOOR	LB-88505	POWER BOX	1
	GFI	79J9801	POWER ENTRY BOX	1
	SWITCH-DISCONNECT	34K1001	PWR ENTRY BX	1
	SWITCH-DISCONNECT	93J3101	SWITCH, DISCONNECT (80AMP) (SEE TEXT)	1
DL34	CONTROL-TIMED OFF	49K0201	TIMER, MINIMUM RUN	1
DL33	CONTROL-TIMED OFF	49K0201	TIMER, MINIMUM RUN	1
	HARNESS-WIRING	LB-90800B	COMP-208/230V(240 UNIT)	1
	HARNESS-WIRING	LB-90801	"COMP-460V,575 & INTL (180 & 240)"	1
	HARNESS-WIRING	LB-90802	"CONTROL HARN,24V"	1
K2	CONTACTOR	P-8-7736	"3PDT,24V(460V,575V,& INTL)"	1

HS29-240				DASH/Revision # with Qty
Key	Part Name	Part Number	Description	
K1	CONTACTOR	P-8-7736	"3PDT,24V(460V,575V,& INTL)"	1
K149	RELAY	69J5701	"O.D. FAN 3,DPDT,24V"	1
K10	RELAY	69J5701	"O.D. FAN 3,DPDT,24V"	1
K68	RELAY	69J5601	"O.D. FAN 4,SPDT,24V"	1
K150	RELAY	69J5601	"O.D. FAN 4,SPDT,24V"	1
K67	RELAY	39H1301	"LATCHING 1,3PDT,24V"	1
K66	RELAY	39H1301	"LATCHING 1,3PDT,24V"	1
K168	RELAY	39H1301	"LATCHING 1,3PDT,24V"	1
K167	RELAY	39H1301	"LATCHING 1,3PDT,24V"	1
K2	CONTACTOR	P-8-7716	"3PDT,24V(208-230V UNITS)"	1
K1	CONTACTOR	P-8-7716	"3PDT,24V(208-230V UNITS)"	1
K58	RELAY	39H9801	"LOW AMB,DPDT,24V"	1
S41	THERMOSTAT	31J6301	LOW AMB	1
T18	TRANSFORMER	13H2801	"208-240V PRI,24V SEC,70VA, L/ FUSE"	1
T18	TRANSFORMER	51H7901	"480V PRI,24V SEC,70VA, L/FUSE (INTL)"	1
T18	TRANSFORMER	66J5401	"600V PRI,24V SEC,70VA,L/FUSE"	1
TB35	BOARD-TERMINAL	39L0301	TERMINAL BOARD	1

NOTE