

# PRODUCT INFORMATION PACKET



Model No: E100115.00  
Catalog No: E100115.00  
ecoSaver™ General Purpose Motor, 0.25 HP, 1 Ph, 60 Hz, 115/230 V, 1800 RPM, 48 Frame, DP



Regal and Leeson are trademarks of Regal Rexnord Corporation or one of its affiliated companies.  
©2023 Regal Rexnord Corporation, All Rights Reserved. MC017097E



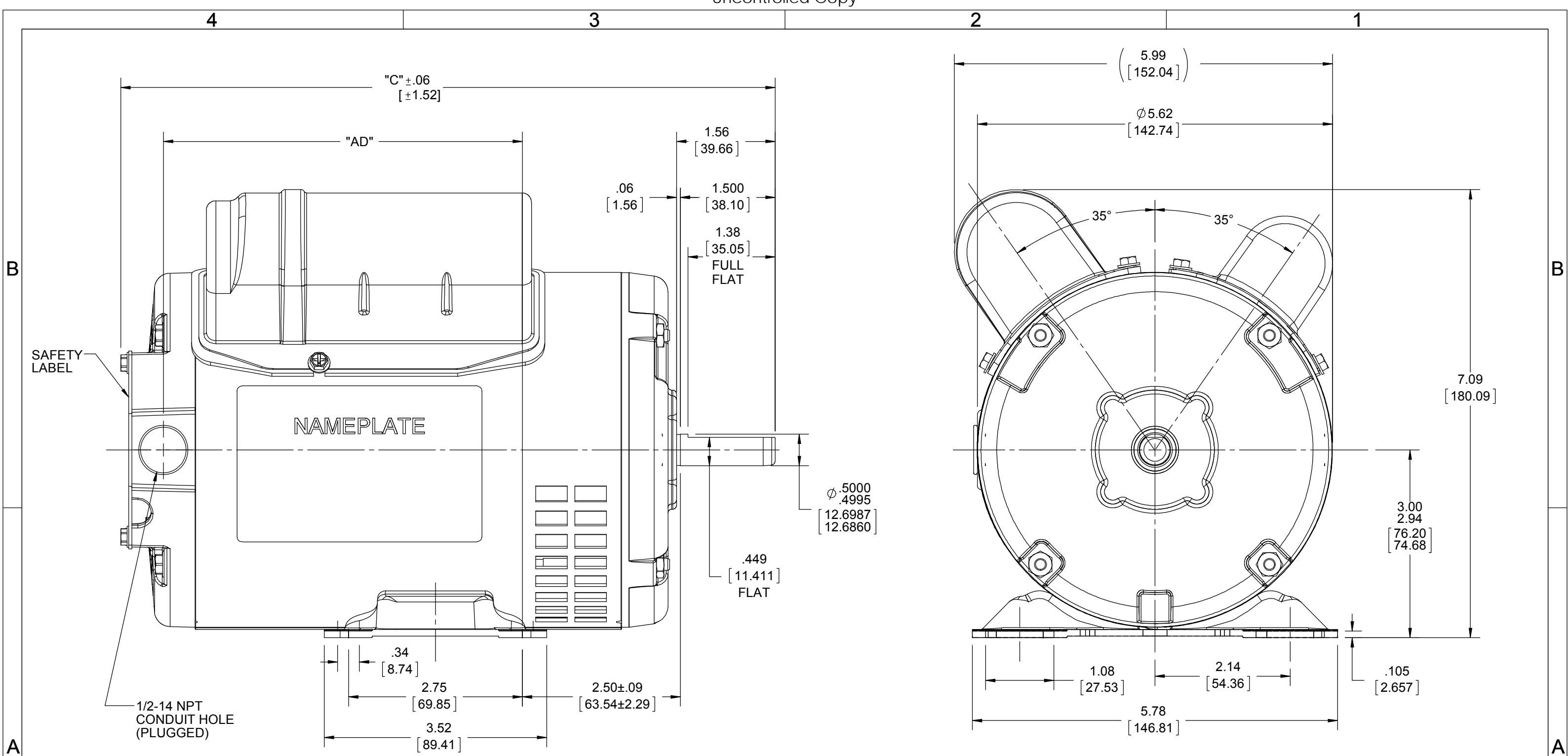


### Nameplate Specifications

Output HP	<b>0.25 Hp</b>	Output KW	<b>0.19 kW</b>
Frequency	<b>60 Hz</b>	Voltage	<b>115/230 V</b>
Current	<b>2.4/1.2 A</b>	Speed	<b>1725 rpm</b>
Service Factor	<b>1.35</b>	Phase	<b>1</b>
Efficiency	<b>68.5 %</b>	Power Factor	<b>92.7</b>
Duty	<b>Continuous</b>	Insulation Class	<b>F</b>
Design Code	<b>N</b>	KVA Code	<b>M</b>
Frame	<b>48</b>	Enclosure	<b>Drip Proof</b>
Thermal Protection	<b>Automatic</b>	Ambient Temperature	<b>40 °C</b>
Drive End Bearing Size	<b>6203</b>	Opp Drive End Bearing Size	<b>6203</b>
UL	<b>Recognized</b>	CSA	<b>Y</b>
CE	<b>Y</b>	IP Code	<b>22</b>
Number of Speeds	<b>1</b>		

### Technical Specifications

Electrical Type	<b>Capacitor Start Capacitor Run</b>	Starting Method	<b>Across The Line</b>
Poles	<b>4</b>	Rotation	<b>Selective Counterclockwise</b>
Resistance Main	<b>0 Ohms</b>	Mounting	<b>Rigid Base</b>
Motor Orientation	<b>Horizontal</b>	Drive End Bearing	<b>Ball</b>
Opp Drive End Bearing	<b>Ball</b>	Frame Material	<b>Rolled Steel</b>
Shaft Type	<b>NEMA 48</b>	Overall Length	<b>10.12 in</b>
Frame Length	<b>6.50 in</b>	Shaft Diameter	<b>0.500 in</b>
Shaft Extension	<b>1.5 in</b>	Assembly/Box Mounting	<b>F1 ONLY</b>
Outline Drawing	<b>SS404327-675</b>	Connection Drawing	<b>005053.40</b>



DASH NO.	"C"	"AD"
675	10.36[263.14]	5.68[144.27]

DRAWING REVISION B	REVISION BY M.RODARTE	DATE 05-08-2019
ECO ECO-0166506	APPROVED BY	DATE

**ADDED SAFETY LABEL**

COPYRIGHT REGAL BELOIT AMERICA, INC. ALL RIGHTS RESERVED. PROPRIETARY AND CONFIDENTIAL INFORMATION - THIS DOCUMENT IS THE PROPERTY OF REGAL BELOIT AMERICA, INC. ("OWNER") AND CONTAINS OWNER'S PROPRIETARY INFORMATION. ANY PERSON, CORPORATION OR OTHER FIRM RECEIVING IT IS DEEMED, BY RECEIVING IT, TO AGREE THAT IT, AND/OR ANY PART OF IT, SHALL NOT BE DISCLOSED TO ANY PERSON, CORPORATION OR OTHER ENTITY, DUPLICATED, AND/OR USED, EXCEPT AS EXPRESSLY APPROVED IN WRITING IN ADVANCE BY OWNER. THIS DOCUMENT SHALL BE RETURNED TO OWNER UPON REQUEST. IT MAY BE SUBJECT TO CERTAIN RESTRICTIONS UNDER APPLICABLE EXPORT CONTROL LAWS AND REGULATIONS.

**TOLERANCES UNLESS OTHERWISE SPECIFIED:**

DEC.	INCH	mm	ANGLE
X	±0.1	[±2.5]	±7° 30"
.XX	±0.02	[±0.51]	
.XXX	±0.005	[±0.127]	
.XXXX	±0.0005	[±0.0127]	

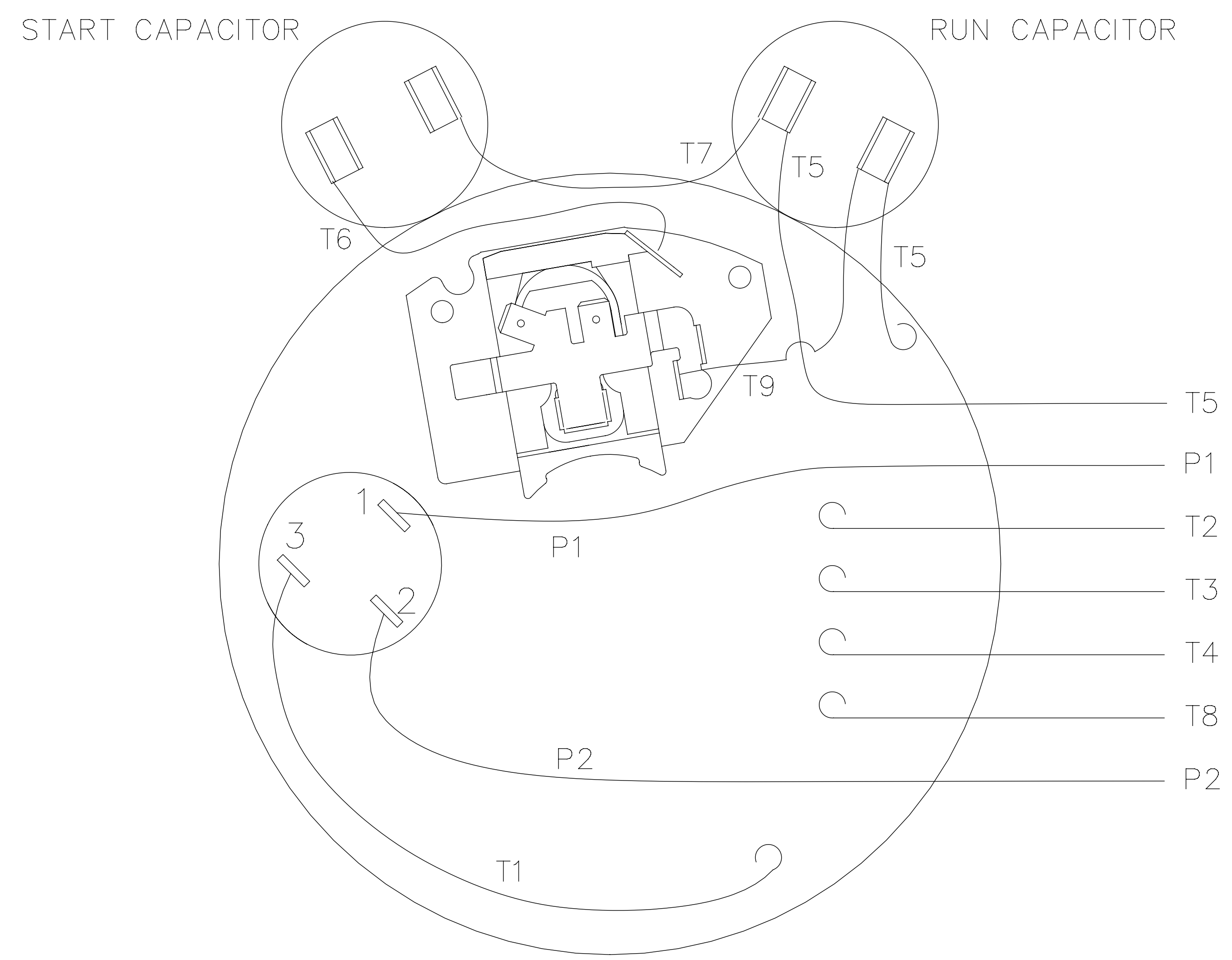
REMOVE BURRS & BREAK SHARP EDGES: .003/.015 [.076/.381] X 45°  
CORNER FILLETS: R.02 [.51]  
MACHINED SURFACES: 200 INCH/mm 5.1

mm SHOWN IN [BRACKETS]

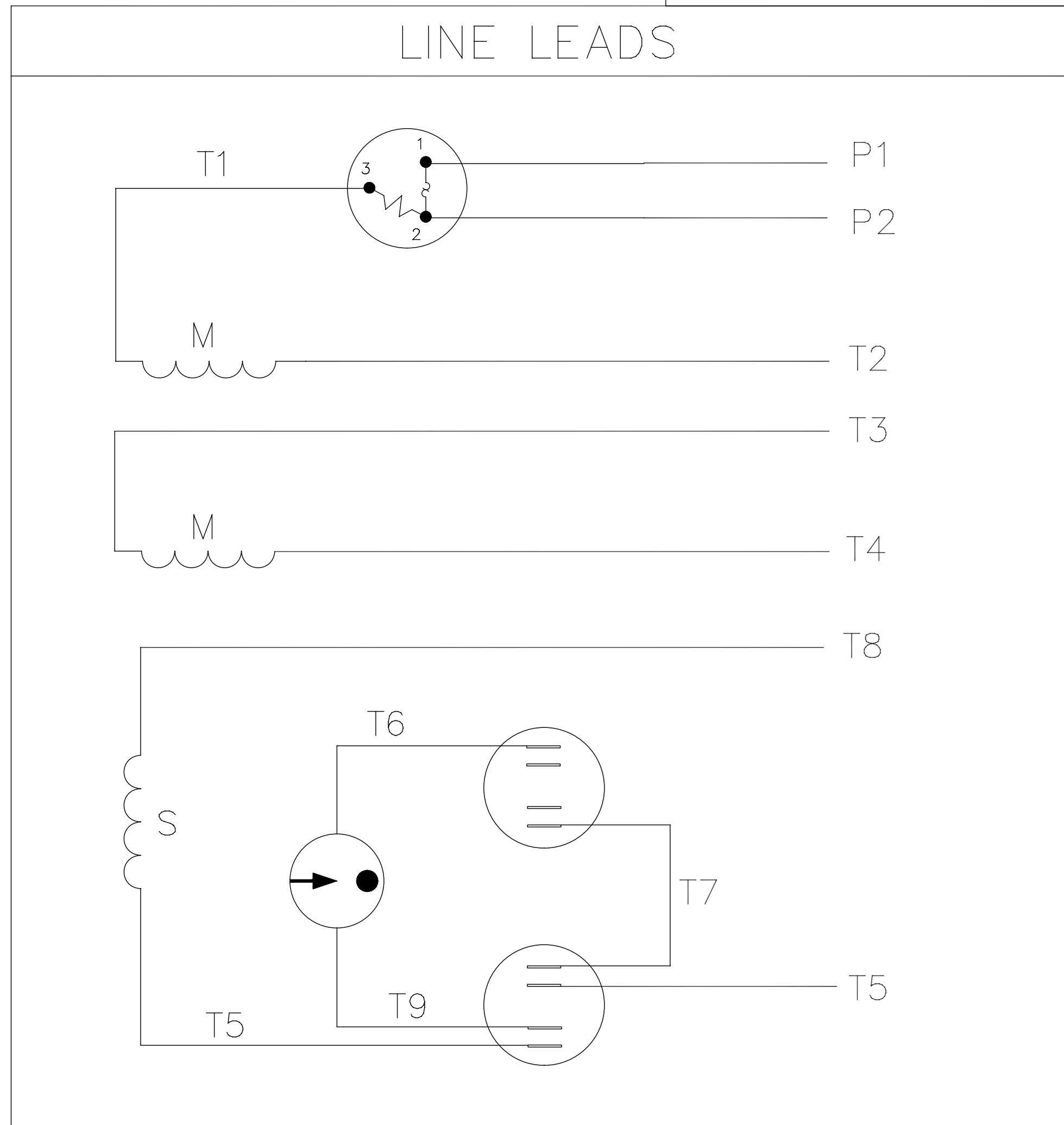
DRAWN BY H. ADIKE	DATE 11/30/2018
APPROVED BY JD	DATE 12/19/2018
REFERENCE SS404123	THIRD ANGLE PROJECTION

<b>REGAL</b> ™ Regal Beloit America, Inc.	
DESCRIPTION <b>OUTLINE</b> S56 FRAME RIGID MOUNT - DRIP PROOF	
MATERIAL	PROCESS/FINISH
SIZE B	DRAWING NUMBER <b>SS404327</b>
SHEET 1 OF 1	

005053-40



VIEW FROM OUTSIDE OF MOTOR AT SWITCH END



	ROTATION FACING LEAD END	L1	L2	JOIN	INSULATE SEPARATE
HIGH VOLT	C.C.W.	P1	T4, T5	T2, T3 T8	P2
	C.W.	P1	T4, T8	T2, T3 T5	P2
LOW VOLT	C.C.W.	P1	T2, T4 T5	P2 T3, T8	---
	C.W.	P1	T2, T4 T8	P2 T3, T5	---

		TOLERANCES UNLESS SPECIFIED	
		DEC.	INCHES
		.X	±.1
		.XX	±.01
		.XXX	±.005
A	CHANGED LOGO TO REGAL	PST	2/1/16
NO.	REVISION	BY & DATE	CHK
THIS DRAWING IN DESIGN AND DETAIL IS OUR PROPERTY AND MUST NOT BE USED EXCEPT IN CONNECTION WITH OUR WORK ALL RIGHTS OF DESIGN AND INVENTION ARE RESERVED THIS IS AN ELECTRONICALLY GENERATED DOCUMENT - DO NOT SCALE THIS PRINT		RFP	ANG
		DIST	±1/2"

**Regal Beloit America, Inc.**

DRAWN PG 7/2/02	
CHK	
APPD	
TITLE	EXTERNAL WIRING DIAGRAM TYPE "K" W/PROTECTOR
SCALE	5=8
REF	005053.01
MAT'L.	DUAL VOLTAGE - DUAL ROTATION
FINISH	
CAD FILE	00505340
SIZE	DRAWING NO.
A	005053-40
REV.	A



## EC Declaration of Conformity

The undersigned representing  
the manufacturer:

Regal Beloit America  
100 East Randolph St.  
Wausau, WI 54401

and the authorized representative  
established within the Community:

Marathon Electric UK  
6F Thistleton Road Ind. Estate  
Market Overton  
Oakham, Rutland LE15 7PP UK

are committed to providing customers with products that comply with applicable regulations and international protocols to which they are subject, including the requirements of the European Parliament Directive on the Harmonization of the laws relating to electrical equipment designed for use within certain voltage limits (2014/35/EU).

Regal Beloit America declares that the following product(s), to which this declaration relates, are in conformity with the relevant sections of the EC standards listed below.

This statement supersedes any statements previously issued pertaining to the product(s) listed below and is subject to change without notice.

Model No : E100115.00

(Model No. may contain prefix and/or suffix characters)

Catalog No : E100115.00

Rework No : N/A

Directives :

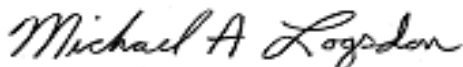
Low Voltage Directive 2014/35/EU

Harmonized Standards Used :

EN 60034-1: 2010 (IEC 60034-1: 2010)

EN 60034-5: 2001/A1:2007 (IEC 60034-5: 2000/A1:2006)

Authorized Representative:



Michael A. Logsdon  
Vice President, Technology

Authorized Representative in the Community:



Julian Clark  
Marketing Engineer

Created on 09/01/2022

**CE 22**