



Installation and Operation Instructions for

LT Series

Wall-Mounted, Modulating
Gas Condensing Water Heater

Model LT199NXX1 / LT199PXX1
(199,000 BTU/hr)

- Natural Gas (NG) - Factory Configuration
- Propane (LP) - Factory Configuration



FOR YOUR SAFETY: This product must be installed and serviced by a professional service technician, qualified in water heater installation and maintenance. Improper installation and/or operation could create carbon monoxide gas in flue gases which could cause serious injury, property damage, or death. Improper installation and/or operation will void the warranty.

⚠ WARNING

If the information in this manual is not followed exactly, a fire or explosion may result causing property damage, personal injury or loss of life.

Do not store or use gasoline or other flammable vapors and liquids in the vicinity of this or any other appliance.

WHAT TO DO IF YOU SMELL GAS

- Do not try to light any appliance.
- Do not touch any electrical switch; do not use any phone in your building.
- Immediately call your gas supplier from a nearby phone. Follow the gas supplier's instructions.
- If you cannot reach your gas supplier, call the fire department.

Installation and service must be performed by a qualified installer, service agency, or gas supplier.

⚠ AVERTISSEMENT

Assurez-vous de bien suivre les instructions données dans cette notice pour réduire au minimum le risque d'incendie ou d'explosion ou pour éviter tout dommage matériel, toute blessure ou la mort.

Ne pas entreposer ni utiliser d'essence ou ni d'autres vapeurs ou liquides inflammables dans le à proximité de cet appareil ou de tout autre appareil.

QUE FAIRE SI VOUS SENTEZ UNE ODEUR DE GAZ:

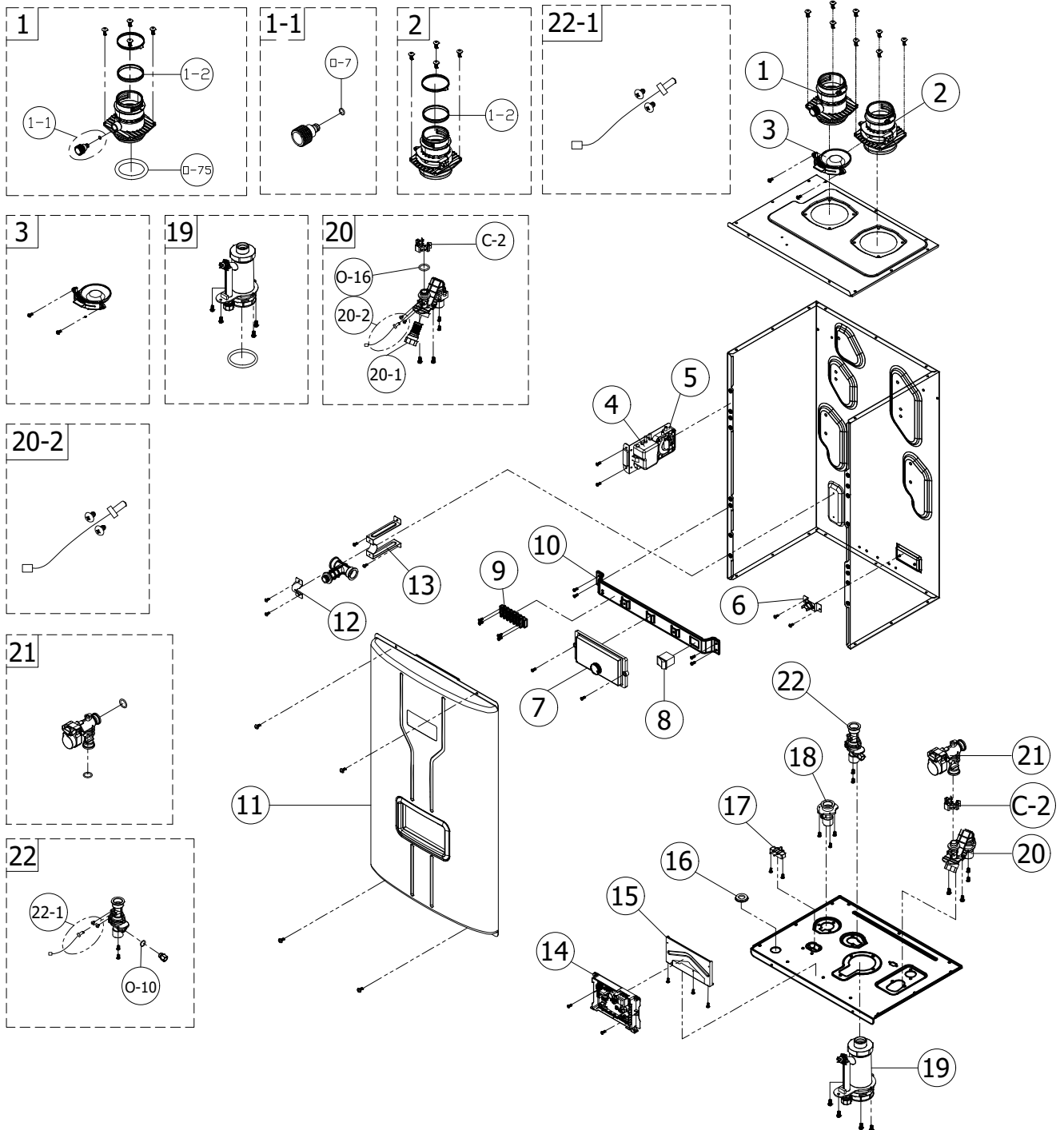
- Ne pas tenter d'allumer d'appareils.
- Ne touchez à aucun interrupteur. Ne pas vous servir des téléphones dans le bâtiment où vous vous trouvez.
- Appelez immédiatement votre fournisseur de gaz depuis un voisin. Suivez les instructions du fournisseur.
- Si vous ne pouvez rejoindre le fournisseur de gaz, appelez le service des incendies.

L'installation et l'entretien doivent être assurés par un installateur ou un service d'entretien qualifié ou par le fournisseur de gaz

SECTION 10 Part List

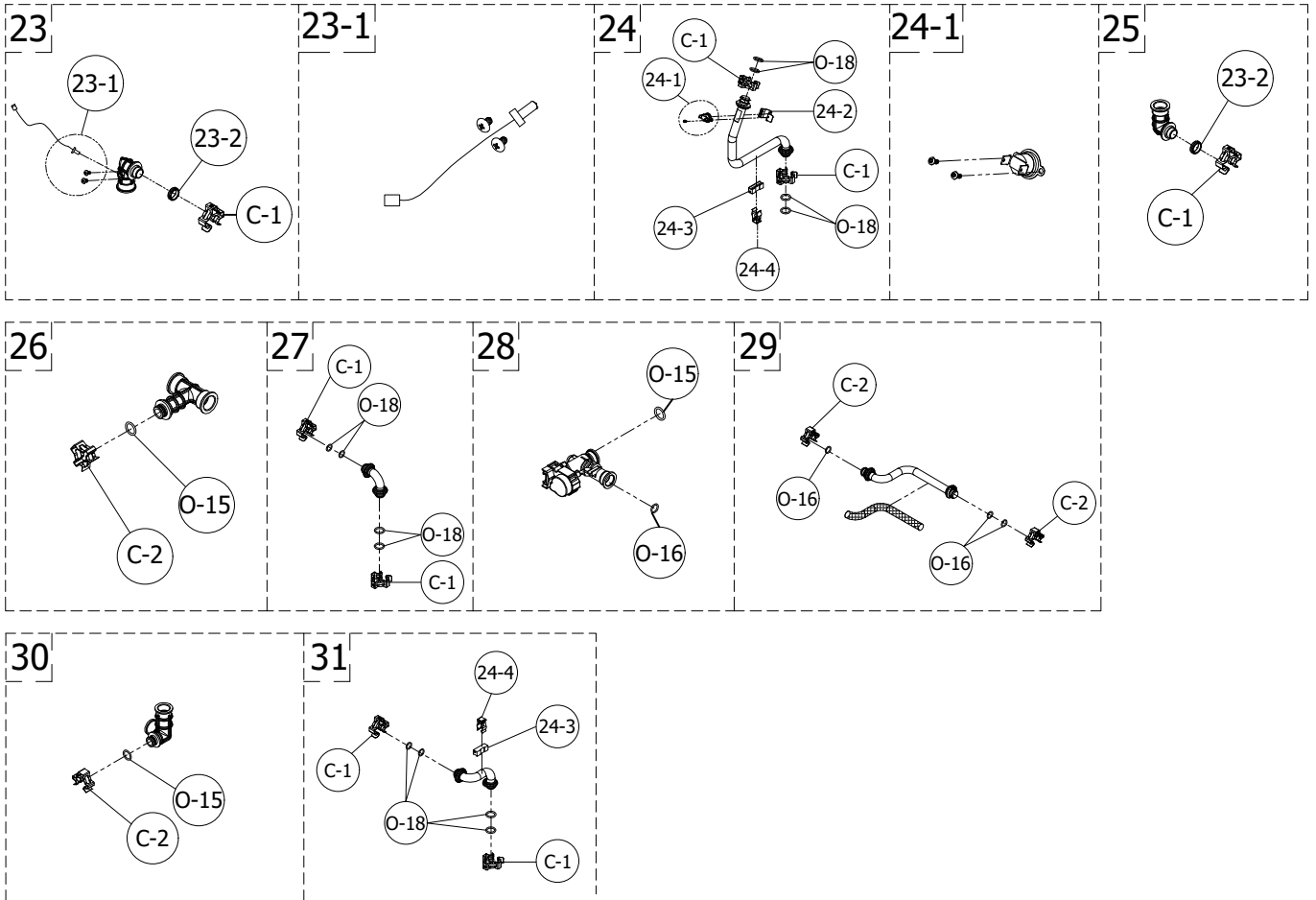
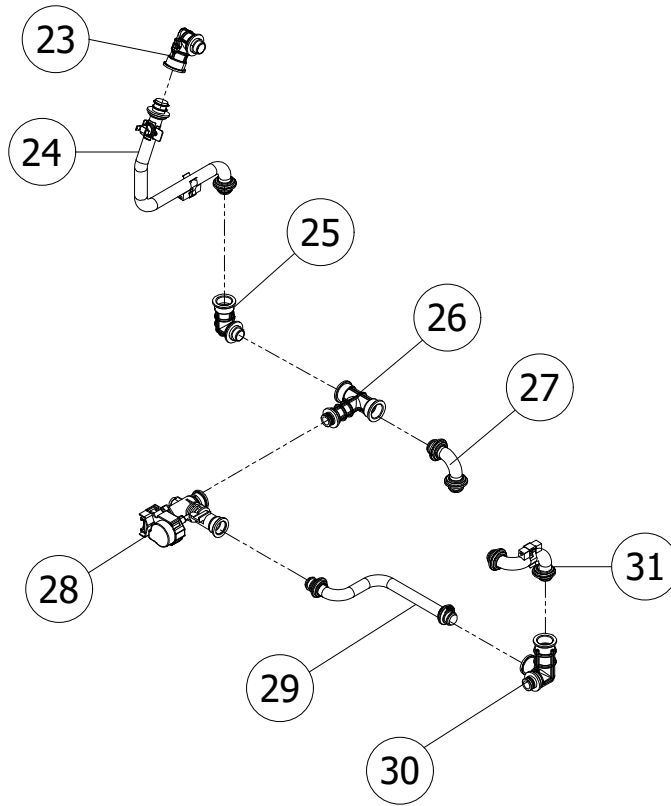
10.1 Case Parts

IOM Ref	Part Number	Description
1	ST1224	Exhaust Vent Duct ASSY'
1-1	ST1225	Exhaust Vent Cap Assy
1-2	ST1190	Exhaust and Intake Packing
O-75	ST1244	O ring P75 10 pcs
O-7	ST1242	O ring P7 10 pcs
2	ST1226	Intake Inlet Duct ASSY'
3	ST1227	Air Intake filter Assy
4	ST1006	Ignition Transformer
5	ST1144	Air Pressure Switch
6	ST1008	Overheat Switch 15°C (with Bracket)
7	ST1140	Control display of RTGS & LT Standard (PR-922C)
8	ST1019	Main Power Switch
9	ST1143	On-Demand Terminal Block
10	ST1093	Bracket for control display
11	ST1099	Front Cover ASSY'
12	ST1168	PPS Bracket_1
13	ST1169	PPS Bracket_2
14	ST1139	Printed Circuit Board
15	ST1163	PCB Bracket
16	ST1189	Wiring Through Way Packing
17	ST1146	Water Leak Detector
18	ST1007	Gas Inlet Nipple
19	ST1101	Siphon ASSY'
20	ST1104	Water Inlet Pipe ASSY'
20-1	ST1024	Water Inlet Filter
20-2	ST1229	Cold Water Temperature Sensor Assy
21	ST1105	Flow Control Valve ASSY'
22	ST1100	DHW Supply Pipe ASSY'
22-1	ST1228	DHW Temperature Sensor Assy
O-10	ST1192	O-ring(P10A)
C-2	ST1054	Star CLIP (Small)
O-16	ST1194	O-ring(P16)



10.2 Fitting Parts

IOM Ref	Part Number	Description
23	ST1106	Hot water Outlet Block ASSY'
23-1	ST1230	Hot Water Temperature Sensor Assy
23-2	ST1218	Block Packing
24	ST1125	Hot Water Outlet Pipe 1 ASSY'(Standard)
24-1	ST1231	Overheat Switch 95°C Assy
24-2	ST1167	Overheat Switch Bracket
24-3	ST1056	Ceramic Heater
24-4	ST1164	Ceramic Heater Bracket
25	ST1126	Hot water Outlet Block(_blockage) ASSY'
26	ST1127	T-Block ASSY'
27	ST1128	Hot Water Outlet Pipe 2 ASSY'(Standard)
28	ST1232	Water Mixing Valve Assy
29	ST1129	Mixing Pipe ASSY'(Standard)
30	ST1130	Cold Water Inlet Block ASSY'(Standard)
31	ST1131	Cold Water Inlet Pipe ASSY'(Standard)
C-1	ST1166	Star CLIP (Large)
C-2	ST1054	Star CLIP (Small)
O-15	ST1193	O-ring(P15)
O-16	ST1194	O-ring(P16)
O-18	ST1195	O-ring(P18)



10.3 Fan & Heat Exchanger Parts

IOM Ref	Part Number	Description
32	ST1202	Heat Exchanger ASSY'(Standard)
33	ST1134	Exhaust Pipe Upper
33-1	ST1031	Exhaust Temperature Sensor
34	ST1248	Exhaust Packing 5 pcs
35	ST1119	Burner ASSY'
35-1	ST1204	Ignition Rod ASS'Y
35-2	ST1234	Burner High Limit Switch ASSY'
35-3	ST1199	Burner Gasket
36	ST1191	Burner Head Packing
37	ST1136	Burner Head Bracket
38	ST1120	Blower ASSY'
39	ST1147	MIXER ASSY' KIT_NG
39	ST1148	MIXER ASSY' KIT_LP
40	ST1205	AGM (Cover) ASSY'
41	ST1255	AGM (Actuator)
42	ST1235	Silencer Elbow ASSY'
43	ST1236	Silencer Body ASSY'
44	ST1121	Gas Pipe (upper) ASSY'
44-1	ST1188	Gas Mixer Packing
44-2	ST1247	15A Packing(Green) 10 pcs
45	ST1122	Gas Valve ASSY'
46	ST1132	Gas Pipe (lower) ASSY'(Standard)
46-1	FT1645	15A Packing
47	ST1198	Ignition Rod Gasket
48	ST1095	Flame Observation ASSY'
49	ST1096	Flame Detector Sensor ASSY'
50	ST1165	Flame Detector Sensor Cover
51	ST1187	Flame Detector Sensor Bracket
52	FT1327	Flame Detector Sensor
53	ST1137	Burner Bracket (Left)
54	ST1138	Burner Bracket (Right)
55	ST1254	HEX Connection Pipe ASSY'
C-2	ST1054	Star CLIP (Small)
O-18	ST1195	O-RING(P18)
O-22	ST1245	O ring P22 10 pcs

