

FT SERIES



Residential Hydronic Combination Boiler

LFTCF | Floor Standing, Combination

Boiler / Water Heater
Indoor, Sizes 199



Date:

Project #:

Engineer:

Prepared By:

Bid Date:

Submittal Data

Project Name:

Location:

Contractor:

Standard Equipment

- High condensing efficiency 95.3% AFUE
- ASME 30 psi (207 kPa) working pressure
- ASME "H" stamp
- Stainless steel fire tube heat exchanger with welded construction
- Integral stainless steel mini boiler tank serves as low loss header and indirect DHW tank
- Low lead compliant
- Boiler pump wired and mounted inside jacket
- Full modulation 100% to 10% (10:1 turndown)
- Electronic PID modulating control
- Large user interface and display
- Receptacle for condensate pump (2A max)
- Supply and return boiler sensors
- Smart DHW priority
- Bonus TT connection for high temp zone
- Accepts 0-10VDC temp setpoint signal
- Connection for DHW recirculation pump
- Outdoor reset (w/ sensor)
- Customizable freeze protection
- Anti-short cycle
- Direct spark ignition
- Manual reset high limit
- Sealed combustion chamber
- Pre-mix ceramic fiber burner
- Natural gas with propane conversion kit included
- Horizontal or vertical direct vent
- Concentric or two-pipe venting options
- Vent and air pipe lengths of up to 100 equivalent feet (each)
- Vent with PVC, CPVC, stainless steel, or polypropylene
- Built-in condensate trap and drain, priming not required
- 3-in-1 brass pipe adapter (for air vent, PRV, optional LWCO)
- 30 psi (207 kPa) pressure relief valve
- Removable and cleanable inlet air filter
- Inlet DHW filter
- Adjustable leveling feet
- Three service panels
- Gas leak detection
- Automatic air vent
- Pressure gauge
- Boiler water pressure switch
- Blocked vent pressure switch
- Blocked condensate pressure switch
- Burner site glass
- 10-Year limited warranty



Boiler Data

Number of Units:

Fuel

Natural*

*Boilers shipped set up for use with Natural Gas and include a Propane conversion kit.

Field Installed Accessories

- Domestic Water Recirculation Sensor
- Neutralizer & Pump (fits inside and plugs into boiler cabinet)
- Horizontal Concentric 2" PVC Termination
- Horizontal Concentric 3" PVC Termination
- Concentric Flush-Mount 2" Vent Terminal
- Concentric Flush-Mount 3" Vent Terminal
- Appliance Adaptor for Stainless Steel Concentric Vent
- Appliance Adaptor/Starter Kit for Polypropylene Concentric Vent
- Polypropylene Offset Kit
- Polypropylene to Stainless Steel Adaptor
- Polypropylene Telescopic Concentric and 90° Elbow Kit
- 2" Vent/Air Pipe Screen*

*Note that boiler is shipped with two 3" screens

Sizing Data

Model	AHRI Certified Heating Capacity		Net AHRI Rating	AHRI Certified AFUE %	Gas Conn. Size	Heating Supply & Return Conn. Size	DHW Conn. Size	DHW Recirc Conn. Size	Shipping Weight				
	MBH	kW	MBH	kW	MBH	kW	%	inches	inches	inches	inches	lbs	kg
<input type="checkbox"/> FTCF199	199	58	182	53	158	46	95.3	3/4 NPT	1-1/2 NPT	3/4 NPT	3/4 NPT	151	69

NOTES:

- For other boiler ratings:

$$\text{Boiler Horsepower: HP} = \frac{\text{Output}}{33,475} \quad \text{Radiation Surface: EDR sq. ft.} = \frac{\text{Output}}{150}$$

Domestic Hot Water Capacity

Model	35°F Rise	45°F Rise	77°F Rise	Stored DHW				
	GPM	l/m	GPM	l/m	Gallons	liters		
FTCF199	9.9	38	7.7	29	4.8	18	0.5	1.9

Clearances

APPLIANCE SURFACE	SUGGESTED SERVICE ACCESS CLEARANCE	
	INCHES	CM
Left Side	6	15
Right Side	6	15
Top	24	61
Back	1	2.5
Front	18	46
Bottom	0	0

Electrical Data

Size	Boiler		
	Volts	Phase	Amps
FTCF199	120	Single	4

Minimum 15A circuit required.

Maximum 2A draw allowed on convenience receptacle.

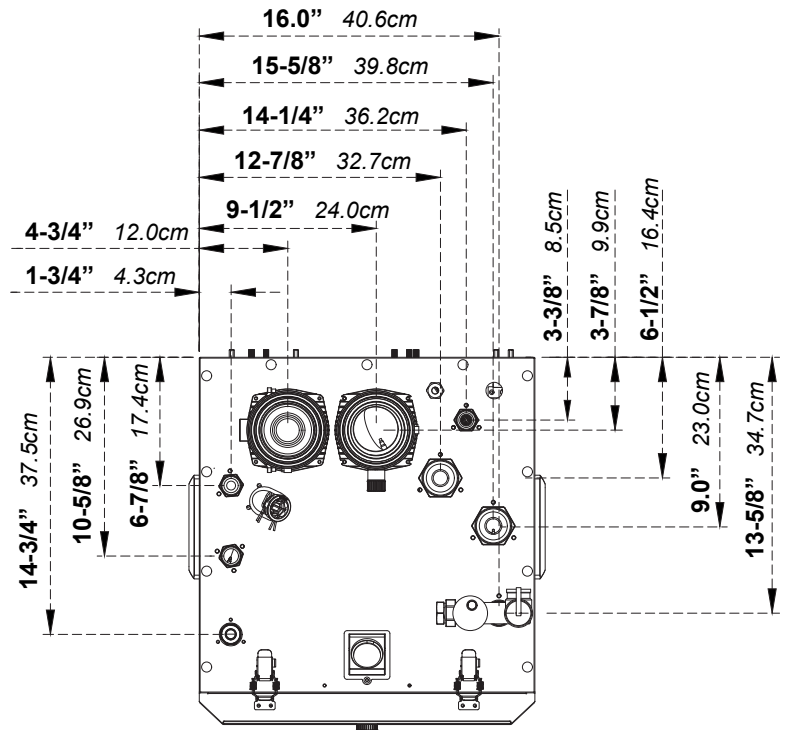
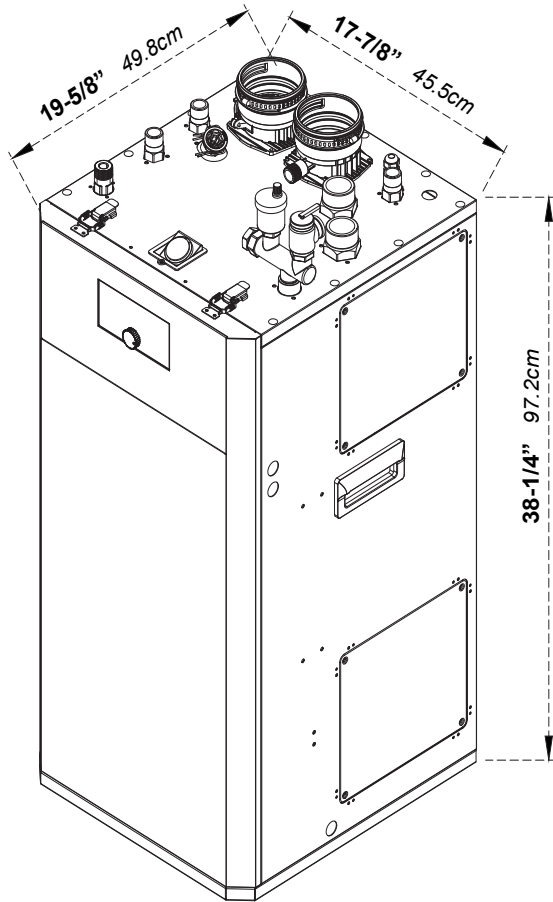
Vent System

SIZE	INTAKE / EXHAUST Max Equivalent Vent and Air Pipe Length (each)					
	STANDARD 2-PIPE			STANDARD 2-PIPE		
	DIA.	FT.	m	DIA.	FT.	m
199	2" *	50	15.2	3"	100	30.5

* Must use 3x2 adapter within 1ft (3cm) of boiler. Reference the Installation and Operation Manual for more details.

FT SERIES Residential Floor, Hydronic Combination Boiler

Dimensional Data



Description	Size
Gas Supply	3/4" NPT
Heating Water Outlet	1-1/2" NPT
Heating Water Inlet	1-1/2" NPT
Domestic Water Inlet	3/4" NPT
Domestic Water Outlet	3/4" NPT
Recirculation Water Inlet	3/4" NPT
Air Vent	1" NPT
Air Intake Collar	3"
Exhaust Vent	3"
Boiler drain	1/2" NPT
Condensate Line	1/2" (no NPT)

