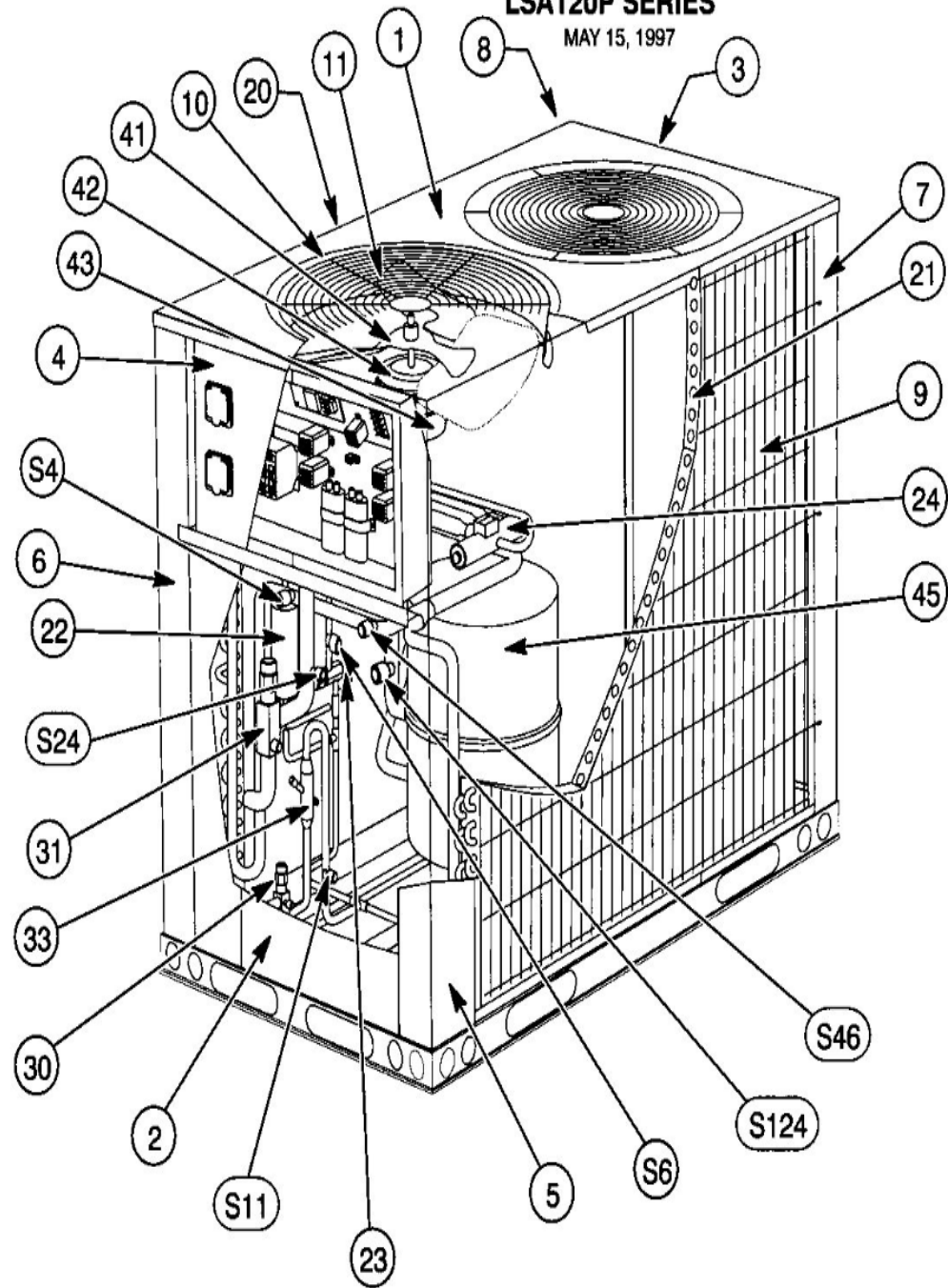


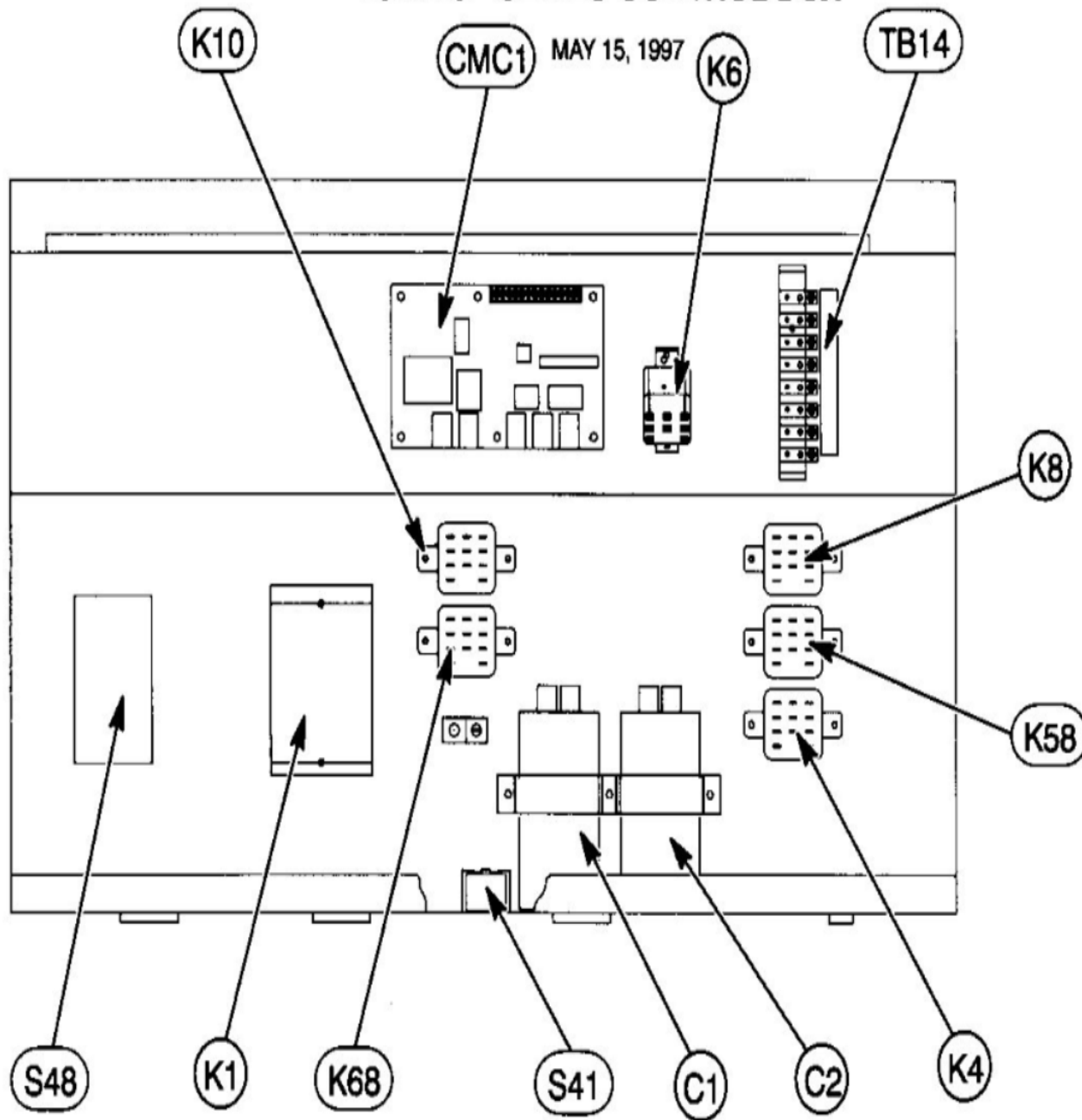
LSA120P SERIES

MAY 15, 1997



LSA120P SERIES CONTROL BOX

MAY 15, 1997



Revision Number - 2

CABINET PARTS

Callout	Name	Quantity	Description
	HINGE Cat #: 63K27 Model/Part #: 63K2701	1	CTL BOX COVER
	COVER Cat #: 86H85 Model/Part #: 86H8501	2	GFI & DIS
	LATCH Cat #: 98G94 Model/Part #: 98G9401	1	CTL BOX
	PLATE Cat #: LB-65032 Model/Part #: LB-65032	1	CTL BOX LATCH
	SUPPORT Cat #: LB-88318 Model/Part #: LB-88318	1	CTL PANEL COVER
	COVER Cat #: LB-88581 Model/Part #: LB-88581	1	DIS & GFI
	COVER Cat #: LB-90609 Model/Part #: LB-90609	1	DIS OR GFI
1	PANEL Cat #: 15L92 Model/Part #: LB-88324	1	TOP
2	PANEL Cat #: 28L86 Model/Part #: LB-88319	1	COMP ACCESS
3	PANEL Cat #: 91K48 Model/Part #: LB-88321	1	REAR
4	COVER-CONTROL BOX Cat #: 74M86 Model/Part #: LB-88317	1	UNITS W/O DIS OR GFI
4	COVER-CONTROL BOX Cat #: LB-88580 Model/Part #: LB-88580	1	UNITS W/GFI-DIS
5	POST-CORNER Cat #: 47M75 Model/Part #: LB-88315	1	FRONT-RIGHT
6	POST-CORNER Cat #: 47M76 Model/Part #: LB-88316	1	FRONT-LEFT
7	POST-CORNER Cat #: 91K49 Model/Part #: LB-88386	1	REAR-RIGHT

Callout	Name	Quantity	Description
8	POST-CORNER Cat #: 91K50 Model/Part #: LB-88387	1	REAR-LEFT
9	GUARD-OUTDOOR COIL Cat #: 41K67 Model/Part #: 41K6701	2	GRILLE
10	ORIFICE Cat #: 79J97 Model/Part #: 79J9701	2	FAN-TOP PANEL
11	GRILLE-DISCHARGE Cat #: 21J31 Model/Part #: 21J3101	2	GRILLE, FAN GUARD

CONTROL PANEL PARTS

Callout	Name	Quantity	Description
	GFI Cat #: 79J98 Model/Part #: 79J9801	1	RECEPTACLE, GFI 15 AMP
	HARNESS-WIRING Cat #: 32L83 Model/Part #: LB-89941A	1	O.D. FAN 1
	HARNESS-WIRING Cat #: 32L84 Model/Part #: LB-89941B	1	O.D. FAN 2
C1	CAPACITOR Cat #: 39H61 Model/Part #: 39H6101	1	"O.D.FAN,10MFD,370VA"
C1	CAPACITOR Cat #: 53H06 Model/Part #: 39H6301	1	"O.D.FAN,15MFD,370VAC(INTL)"
C2	CAPACITOR Cat #: 39H61 Model/Part #: 39H6101	1	"O.D.FAN,10MFD,370VA"
C2	CAPACITOR Cat #: 53H06 Model/Part #: 39H6301	1	"O.D.FAN,15MFD,370VAC(INTL)"
CMC1	TIMER-DEFROST Cat #: 84W88 Model/Part #: 68J8401	1	DEFROST

Callout	Name	Quantity	Description
K1	CONTACTOR Cat #: 38113 Model/Part #: P-8-7716	1	"3PDT,24V(208-230V)"
K1	CONTACTOR Cat #: 38393 Model/Part #: P-8-7736	1	"3PDT,24V(460V,575V,& INTL)"
K10	RELAY Cat #: 67K65 Model/Part #: 67K6501	1	"#1 FAN,DPDT,24V"
K4	RELAY Cat #: 69J80 Model/Part #: 69J8001	1	"DEFROST,DPDT,24V"
K58	RELAY Cat #: 39H98 Model/Part #: 39H9801	1	"LO AMB,DPDT,24V"
K6	RELAY Cat #: 81G65 Model/Part #: 81G6501	1	"LATCHING,DPDT,24V"
K68	RELAY Cat #: 56L68 Model/Part #: 56L6801	1	"#2 FAN,SPDT,24V"
K8	RELAY Cat #: 39H98 Model/Part #: 39H9801	1	"DPDT,24V"
S41	THERMOSTAT Cat #: 69J91 Model/Part #: 69J9101	1	LOW AMBIENT
S48	SWITCH-DISCONNECT Cat #: 93J31 Model/Part #: 93J3101	1	"80AMP,600V"
TB14	STRIP-TERMINAL Cat #: 73K85 Model/Part #: 73K8501	1	BLOCK, TERMINAL

COOLING PARTS

Callout	Name	Quantity	Description
	ACCUMULATOR	1	ACCUMULATOR #3706

Callout	Name	Quantity	Description
	Cat #: 14K65 Model/Part #: 14K6501		
	COIL-SOLENOID Cat #: 26H98 Model/Part #: 26H9801	1	SOLENOID, COIL 24V
	DISTRIBUTOR Cat #: 49K20 Model/Part #: 49K2001	1	"DISCHARGE LINE,L/TUBES"
	FITTING-PRESS TAP Cat #: 60L75 Model/Part #: 60L7501	1	FITTING, PROCESS VALVE HOUSING
	VALVE-CORE Cat #: 60L76 Model/Part #: 60L7601	1	FITTING, PROCESS VALVE CORE
	CAP SEAL Cat #: 60L77 Model/Part #: 60L7701	1	FITTING, PROCESS VALVE CAP
	MOUNT PKG-COMP Cat #: 74J30 Model/Part #: 74J3001PR	1	MOUNT PKG-COMP
	FITTING PRESS TAP Cat #: 86G64 Model/Part #: 86G6401	7	FITTING, PRESSURE TAP
	HEATER-CRANKCASE Cat #: 99K42 Model/Part #: 99K4201	1	"EXTERNAL(460B,380/420V)"
	HEATER-CRANKCASE Cat #: 99K46 Model/Part #: 99K4601	1	EXTERNAL(575V)
	HEATER-CRANKCASE Cat #: 99K47 Model/Part #: 99K4701	1	EXTERNAL(208/230V)
	HARNESS-WIRING Cat #: 28L88 Model/Part #: LB-89921	1	COOLING CTL(P36)
	HARNESS-WIRING Cat #: 45L29 Model/Part #: LB-89940A	1	COMP(208/230V)
	HARNESS-WIRING Cat #: LB-89940B Model/Part #: LB-89940B	1	COMP(460V-575V&INTL)
	HARNESS-WIRING Cat #: LB-89943 Model/Part #: LB-89943	1	COOLING CTL(J36)
	DISTRIBUTOR	2	W/TUBES

Callout	Name	Quantity	Description
	Cat #: 91K02 Model/Part #: LB-92997B		
	VALVE CORE Cat #: 66820 Model/Part #: P-8-1897	8	VALVE, CORE 8075910047
	CAP-SEAL Cat #: 58114 Model/Part #: P-8-3187	3	CAP, BRASS
	SHIELD-RAIN Cat #: 32621 Model/Part #: P-8-6142	2	SHIELD, MOTOR
	VALVE-CHECK Cat #: 37754 Model/Part #: P-8-6318	2	"1/2""(L & R)"
20	COIL-OUTDOOR Cat #: 90K91 Model/Part #: LB-92980AA	1	W/MANIFOLD(L)
20	COIL-OUTDOOR Cat #: 90K93 Model/Part #: LB-92980AC	1	W/MANIFOLD(L-CORR PROT)
21	COIL-OUTDOOR Cat #: 90K92 Model/Part #: LB-92980AB	1	W/MANIFOLD(R)
21	COIL-OUTDOOR Cat #: 90K94 Model/Part #: LB-92980AD	1	W/MANIFOLD(R-CORR PROT)
22	DRIER Cat #: 69004 Model/Part #: P-8-9623	2	LIQUID LINE
23	VALVE-EXPANSION Cat #: 49K42 Model/Part #: 49K4201	2	VALVE, EXPANSION OUTDOOR
24	VALVE-REVERSING Cat #: 51H70 Model/Part #: 51H7001	1	VALVE-REVERSING NLA - USE 78M2501 + KIT
30	VALVE-SERVICE Cat #: 68J11 Model/Part #: 68J1101	1	"LIQUID LINE,5/8""
41	FAN Cat #: 65C68 Model/Part #: 65C6801	2	"1/2""BORE,24""DIA,3 BLADE"
42	MOTOR-FAN Cat #: 79J81 Model/Part #: 79J8101	2	"1/3HP,1075RPM,208- 230/60/1"

Callout	Name	Quantity	Description
42	MOTOR-FAN Cat #: 79J82 Model/Part #: 79J8201	2	"1/3HP,1075RPM,460/60/1 & INTL"
42	MOTOR-FAN Cat #: 79J83 Model/Part #: 79J8301	2	"1/3HP,1075RPM,575/60/1"
43	BRACKET Cat #: 78L41 Model/Part #: 78L4101	2	MOUNT, MOTOR
45	COMPRESSOR Cat #: 60L05 Model/Part #: 60L0501	1	"10TON,208-230/60/3,COPE"
45	COMPRESSOR Cat #: 60L06 Model/Part #: 60L0601	1	"10TON,380-420/50/3,COPE"
45	COMPRESSOR Cat #: 60L07 Model/Part #: 60L0701	1	"10TON,575/60/3,COPE"
S11	SWITCH-LO AMBIENT Cat #: 18J74 Model/Part #: 18J7401	1	"IN 275PSIG,OUT 150PSIG"
S124	SWITCH-DEFROST Cat #: 63K10 Model/Part #: 63K1001	1	"SPST,OPEN 60F,CLOSE 35F"
S24	SWITCH - PRESSURE Cat #: 50F84 Model/Part #: 50F8401	1	"IN 25+5PSIG,OUT 15+5PSIG"
S4	SWITCH-HI PRESS Cat #: 38510 Model/Part #: P-8-9153	1	CUTOOUT 410PSIG
S46	SWITCH-PRESS Cat #: 43G44 Model/Part #: 43G4401	1	SPST.N.C.
S5	THERMOSTAT Cat #: 78L44 Model/Part #: 78L4401	1	DISCHARGE LINE
S6	SWITCH-DEFROST Cat #: 63K10 Model/Part #: 63K1001	1	"SPST,OPEN 60F,CLOSE 35F"

Note:

There are no technical notes for this product.