

Full Flow Spouts

ROYAL SERIES



Standard Features

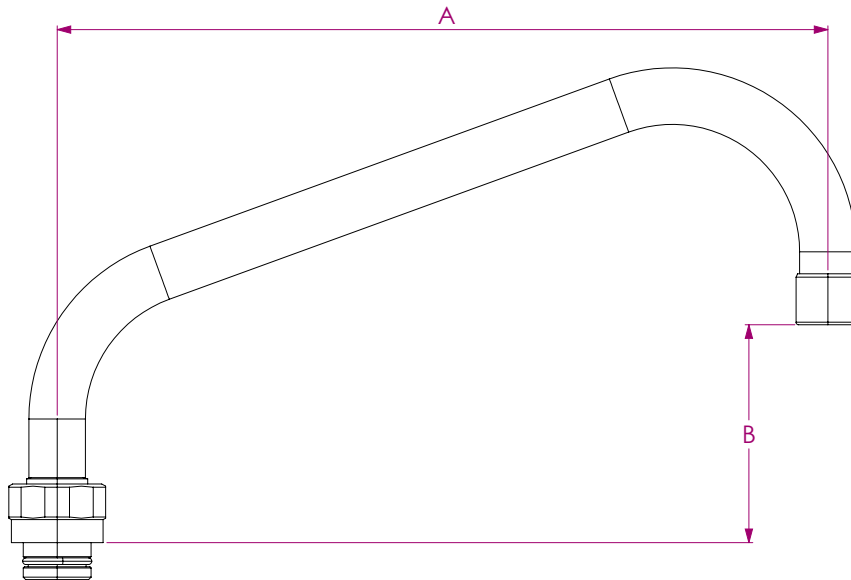
- Durable full flow spout with double o-ring construction
- Chrome plated finish
- Built for high volume
- 1 year warranty

Product Compliance

- NSF-61 & NSF/ANSI 372
- NSF/ANSI/CAN 61: Q<1
- ASME A112.18.1-2012/CSA B125.1-12
- Massachusetts Listed



Model	Spout Style	Spout Length (A)	Flow Rate	Height (B)	Weight
21-458L	Swing	6-1/2"	40 GPM	1-1/2"	0.5 lbs.
21-460L	Swing	12"	40 GPM	3-3/8"	1 lb.
21-461L	Swing	14"	40 GPM	4"	1 lb.
21-463L	Swing	18"	40 GPM	5-1/2"	1 lb.
21-465L	Jointed	18"	40 GPM	5-5/8"	1.5 lbs.
21-467L	Jointed	24"	40 GPM	8-1/2"	2 lbs.



Warning:

Plumbing connections should be made by qualified personnel who will observe all applicable plumbing, sanitary and safety codes

California Prop 65 Warning:

This product can expose you to chemicals including lead and lead compounds, which are known to the State of California to cause cancer and birth defects or other reproductive harm. For more information go to www.cdph.ca.gov/Programs/CID/DCDC/Pages/Lead.aspx