

Angled Pre-Rinse Spray Head with Grip

ROYAL SERIES



Standard Features

- Replacement angled spray head for hose reels
- Includes 1/4" female thread adapter (assembled)
- 3 year warranty

Specifications

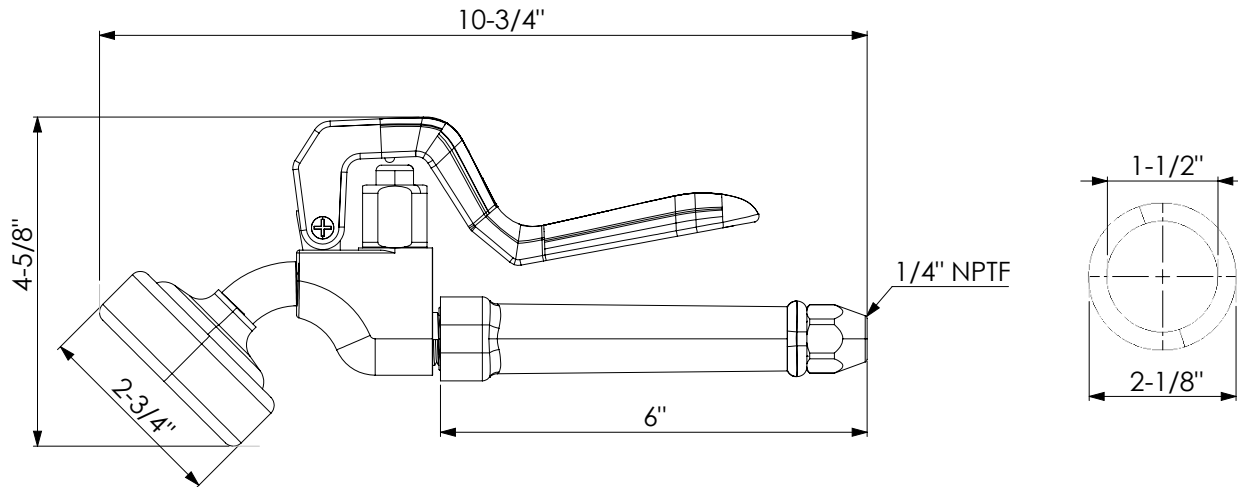
Inlet Connection	1/4" NPTM
Temp. Range	40°F - 140°F
Flow Rate	1.6 GPM @ 60 PSI
Material	Chrome Plated Brass (Body) PVC (Grip, Handle, and Bumper)
Weight	2 lbs

Product Compliance

- NSF/ANSI 372
- NSF/ANSI/CAN 61: Q < 1
- ASME A112.18.1-2012/CSA B125.1-12
- Massachusetts Listed



Model	Description
21-126	Royal Series Angled Pre-Rinse Spray Head with Grip



Warning:

Plumbing connections should be made by qualified personnel who will observe all applicable plumbing, sanitary and safety codes

California Prop 65 Warning:

This product can expose you to chemicals including lead and lead compounds, which are known to the State of California to cause cancer and birth defects or other reproductive harm. For more information go to www.P65Warnings.ca.gov.