

Purist® | K-T97328-4

Floor-mount bath filler trim with handshower

Features

- Single lever handle allows for both on/off activation and temperature setting
- Diverter switches water flow from bath fill to handshower, and returns to bath fill position when water is turned off
- 7 gpm (26.5 lpm) maximum flow rate at 45 psi
- 1.75 gpm (6.6 lpm) handshower flow rate
- KOHLER® ceramic disc valves exceed industry longevity standards for a lifetime of durable performance
- Coordinates with other products in the Purist collection



Sustainability



Available Colors/Finishes

Color tiles intended for reference only.

- CP Polished Chrome
- SN Vibrant Polished Nickel
- AF Vibrant French Gold
- BN Vibrant Brushed Nickel
- BV Vibrant Brushed Bronze
- BL Matte Black
- RGD Vibrant Rose Gold
- TT Vibrant Titanium
- BGP Vibrant Brushed Graphite



Codes/Standards



ASME A112.18.1/CSA B125.1
DOE - Energy Policy Act 1992
EPA WaterSense®
California Energy Commission (CEC)

Technical Information

All product dimensions are nominal.

Handle

Handle Style/ Type: Lever

Spout

Spout Reach: 12-1/16" (306 mm)

Flow Rate

Faucet Flow Rate: 7 gpm (26.5 l/min)

Handshower Rated Maximum
Flow: 1.75 gpm (6.6 l/min)

Valves

Included Valves: Thermostatic, Volume Control

Material

- KOHLER finishes resist corrosion and tarnishing
 - Premium metal construction for durability and reliability
-

Recommended Products/Accessories

K-23723 Faucet cleaner

K-14443 Robe hook

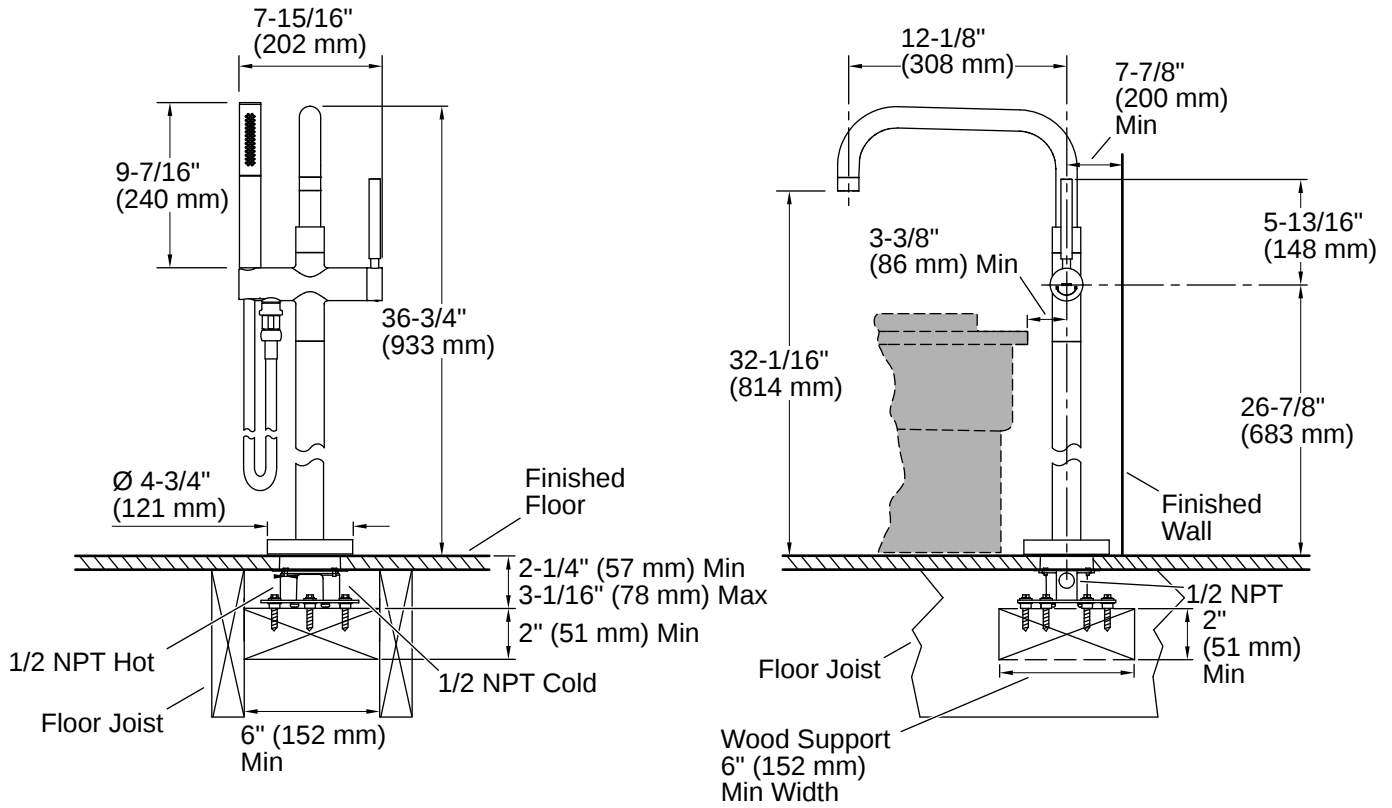
Warranty

See website for detailed warranty information.

KOHLER® Faucet Lifetime Limited Warranty



1-800-4KOHLER (1-800-456-4537)
Kohler Co. reserves the right to make revisions without notice to product specifications.
For the most current specification sheet, go to www.kohler.com USA or www.kohler.ca Canada.
3-27-2026 15:11 - US-CA



Installation

- Floor-mount
- Compatibility with bathtub varies by application

Installation Notes

Install this product according to the installation instructions.

Adequate floor support is required. The wood support must be a minimum of 2" (51 mm) thick by 6" (152 mm) wide. 2x6 lumber is NOT adequate for this application.

Concrete can be used as the floor support. Requires 3/16" masonry drill bit and six 1/4" x 1-3/4" concrete screws, not included.

