



Bellwether® | K-876

60" x 32" alcove bath, right drain

Features

- 60" (1524 mm) x 32" (813 mm) x 15-1/2" (394 mm)
- 15" apron height for easy entrance and exit
- Safeguard® slip-resistant surface provides excellent traction underfoot
- Integral apron
- Integral lumbar support



Sustainability



Available Colors/Finishes

Color tiles intended for reference only.

- 0 White
- 96 Biscuit



1-800-4KOHLER (1-800-456-4537)
Kohler Co. reserves the right to make revisions without notice to product specifications.
For the most current specification sheet, go to www.kohler.com USA or www.kohler.ca Canada.
4-1-2026 19:3 - US-CA

THE BOLD LOOK
OF **KOHLER**

Codes/Standards

ADA compliant when installed to the specific requirements of these regulations.



ASME A112.19.1/CSA B45.2
ASTM F462
ADA
ICC/ANSI A117.1

Warranty

See website for detailed warranty information.

KOHLER® Enameled Cast Iron Bath and Shower Base Lifetime Limited Warranty

Technical Information

All product dimensions are nominal.

| | |
|------------------------|---------------------------------------|
| Drain Location: | Right |
| Drain Hole Diameter: | 2-1/4" (57 mm) |
| Minimum Flat for Door: | 2-1/2" (63 mm) |
| Basin Area, Bottom: | 43-7/8" x 21" (1114 mm x 533 mm) |
| Basin Area, Top: | 51-1/4" x 23-5/16" (1302 mm x 592 mm) |
| Water Depth: | 11-5/16" (287 mm) |
| Water Capacity: | 44 gal (166.6 L) |
| Minimum Floor Load: | 52 lbs/ft ² |
| Weight: | 327 lbs (148.3 kg) |

Material

- KOHLER® enameled cast iron

Recommended Products/Accessories

K-23726 Drain treatment

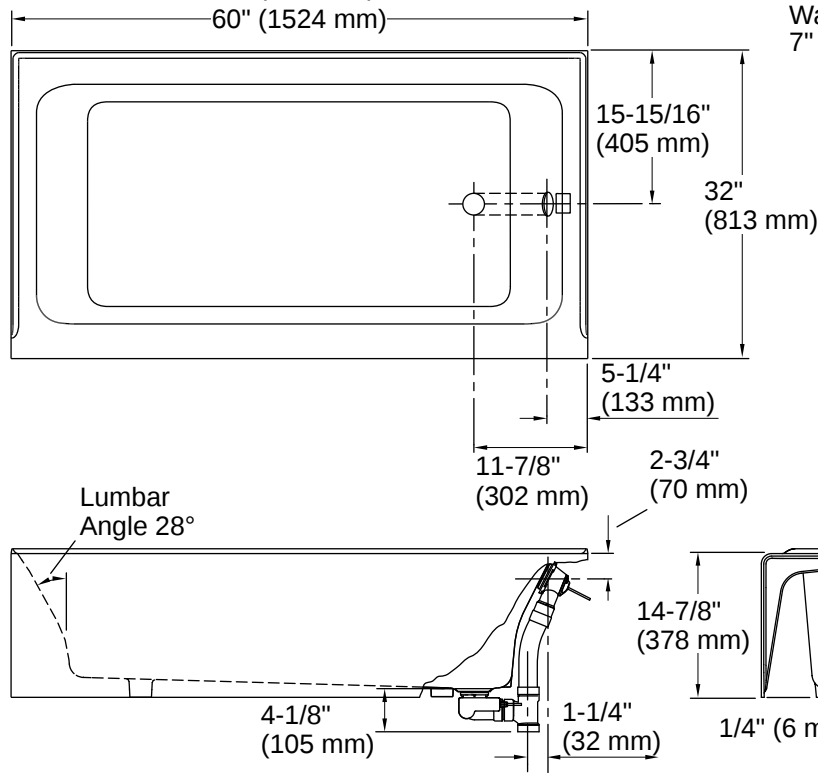
K-23725 Cast iron cleaner

K-706000-L 62" H sliding bath door with 1/4"-thick glass

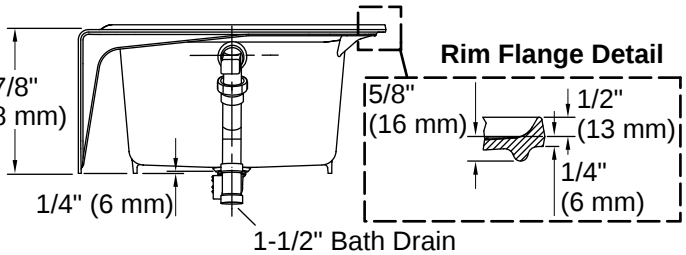
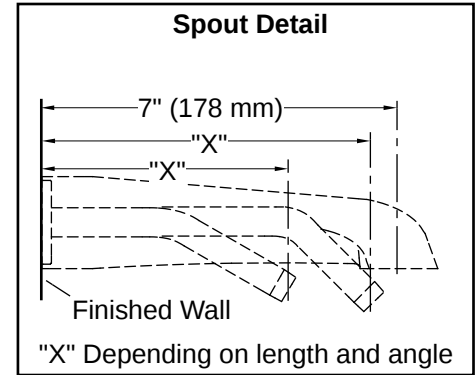
K-706004-L Sliding bath door, 62" H x 56-5/8" - 59-5/8" W, with 1/4" thick Crystal Clear glass



No change in measurements if connected with drain illustrated. (K-37383)



Note: To clear the bath rim end wall, a minimum 7" (178 mm) bath spout is recommended. Water flow from angled bath spouts less than 7" (178 mm) may also provide needed clearance.



Installation

- Alcove
- Integral flange

Installation Notes

Install this product according to the installation instructions.

Measure your actual product for rough-in details.

The hot water supply should be 70% of the capacity of the bath or greater. Installations will vary.

ADA compliant when installed to the specific requirements of these regulations.

