



# Bellwether® | K-875

60" x 32" alcove bath, left drain

## Features

- 15" apron height for easy entrance and exit
- Safeguard® slip-resistant surface provides excellent traction underfoot
- Wide ledges for functional storage space - 4" front and 3" back
- Integral apron
- Integral lumbar support



## Sustainability



## Available Colors/Finishes

*Color tiles intended for reference only.*

- 0 White
- 96 Biscuit



## Codes/Standards

*ADA compliant when installed to the specific requirements of these regulations.*



ASME A112.19.1/CSA B45.2  
 ASTM F462  
 ADA  
 ICC/ANSI A117.1

## Technical Information

*All product dimensions are nominal.*

Drain Location:	Left
Drain Hole Diameter:	2-1/4" (57 mm)
Minimum Flat for Door:	2-1/2" (63 mm)
Basin Area, Bottom:	43-7/8" x 21" (1114 mm x 533 mm)
Basin Area, Top:	51-1/4" x 23-5/16" (1302 mm x 592 mm)
Water Depth:	11-5/16" (287 mm)
Water Capacity:	44 gal (166.6 L)
Minimum Floor Load:	52 lbs/ft <sup>2</sup>
Weight:	327 lbs (148.3 kg)

## Material

- KOHLER® enameled cast iron
- Painted exterior surface smoothness can vary from product to product

## Recommended Products/Accessories

- K-1601 Bath/whirlpool footstop, removable
- K-23726 Drain treatment
- K-702200-6L 58" H sliding bath door with 1/4"-thick glass
- K-23725 Cast iron cleaner
- K-952 Wall-mount bath spout
- K-14426 Wall-mount bath spout
- K-14427 Wall-mount bath spout
- K-706000-L 62" H sliding bath door with 1/4"-thick glass
- K-706004-L Sliding bath door, 62" H x 56-5/8" - 59-5/8" W, with 1/4" thick Crystal Clear glass

## Warranty

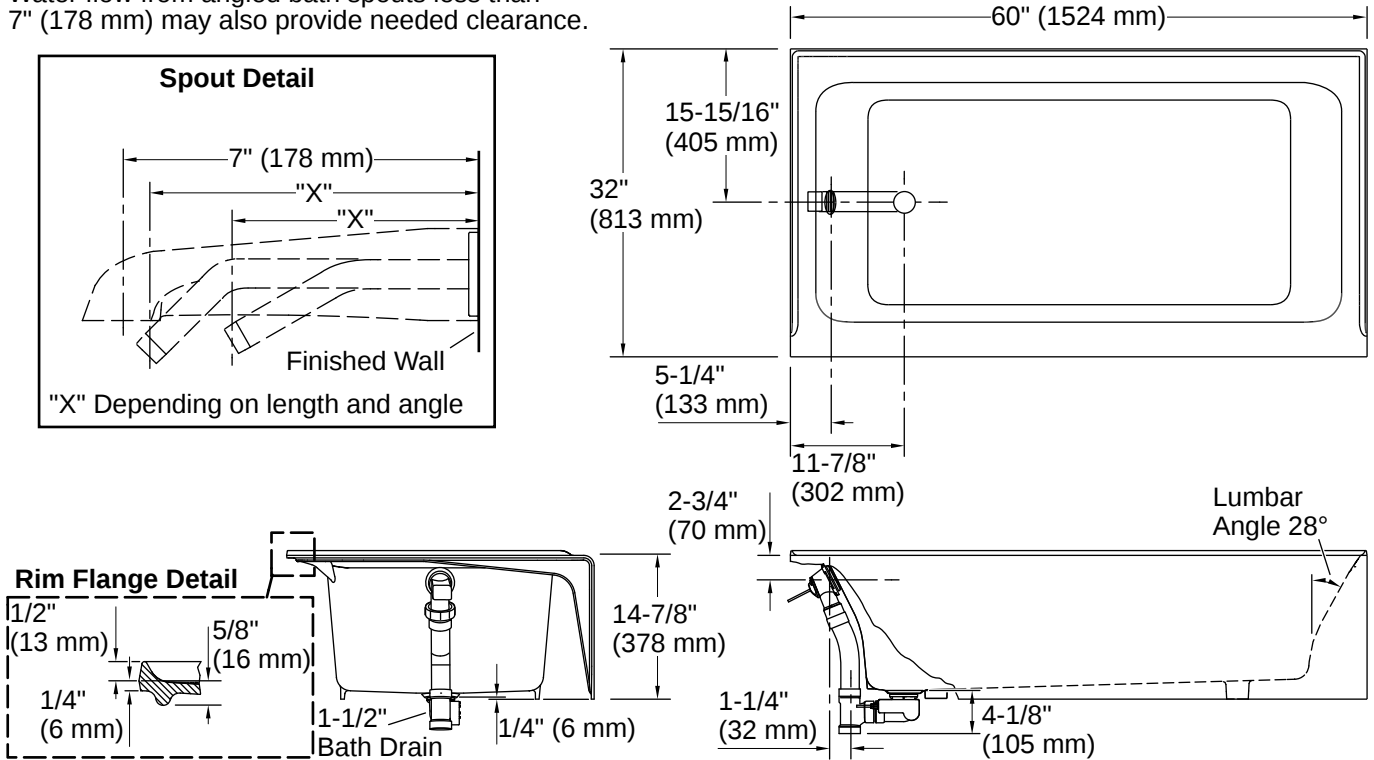
*See website for detailed warranty information.*

KOHLER® Enameled Cast Iron Bath and Shower Base Lifetime Limited Warranty



**Note:** To clear the bath rim end wall, a minimum 7" (178 mm) bath spout is recommended. Water flow from angled bath spouts less than 7" (178 mm) may also provide needed clearance.

No change in measurements if connected with drain illustrated. (K-37383)



## Installation

- Integral flange
- Left drain
- Alcove

## Installation Notes

Install this product according to the installation instructions.

Measure your actual product for rough-in details.

The hot water supply should be 70% of the capacity of the bath or greater. Installations will vary.

ADA compliant when installed to the specific requirements of these regulations.

