



Memoirs® | K-8333

66-1/4" x 36-1/2" freestanding bath

Features

- Freestanding design creates a striking focal point in your bathing area
- 17-7/8" (454 mm) soaking depth
- Integral lumbar support
- Slotted overflow allows for deep soaking
- Center toe-tap drain with KOHLER Lithocast® cover
- Coordinates with other products in the Memoirs collection



Available Colors/Finishes

Color tiles intended for reference only.

■ 0 White



1-800-4KOHLER (1-800-456-4537)
Kohler Co. reserves the right to make revisions without notice to product specifications.
For the most current specification sheet, go to www.kohler.com USA or www.kohler.ca Canada.
3-27-2026 15:23 - US-CA

THE BOLD LOOK
OF **KOHLER**®

Codes/Standards

CSA B45.5/IAPMO Z124

Technical Information

All product dimensions are nominal.

Drain Location:	Center
Drain Hole Diameter:	2-3/16" (56 mm)
Basin Area, Bottom:	53-7/16" x 23-5/16" (1358 mm x 592 mm)
Basin Area, Top:	63-9/16" x 33-9/16" (1614 mm x 852 mm)
Water Depth:	17-7/8" (454 mm)
Water Capacity:	98.74 gal (373.8 L)
Minimum Floor Load:	112.2 lbs/ft ²
Weight:	262 lbs (118.8 kg)

Material

- KOHLER Lithocast® Gloss cast resin
-

Recommended Products/Accessories

K-23726 Drain treatment

K-23732 Tub & shower cleaner

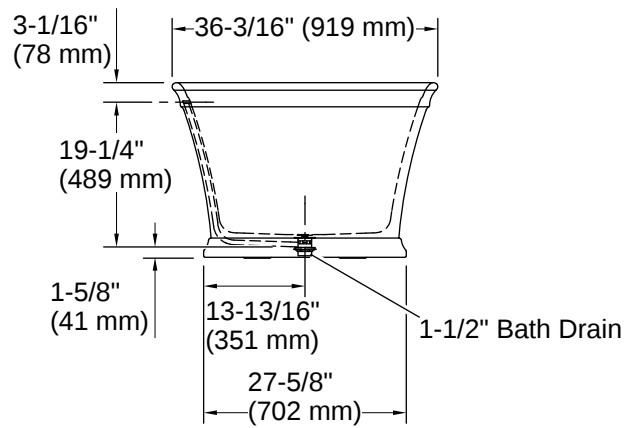
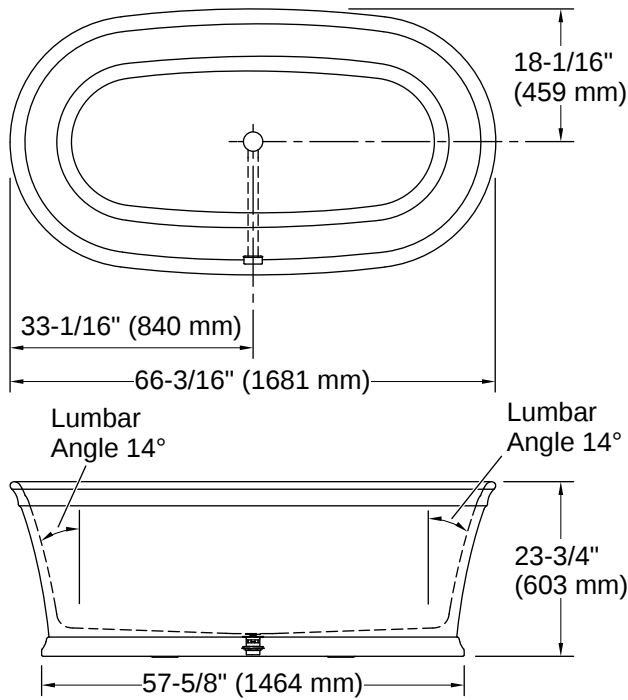
Warranty

See website for detailed warranty information.

KOHLER® Plastic Baths and Shower Bases Lifetime Limited Warranty



1-800-4KOHLER (1-800-456-4537)
Kohler Co. reserves the right to make revisions without notice to product specifications.
For the most current specification sheet, go to www.kohler.com USA or www.kohler.ca Canada.
3-27-2026 15:23 - US-CA



Installation

- Freestanding

Installation Notes

Install this product according to the installation instructions.

Measure your actual product for rough-in details.

The hot water supply should be 70% of the capacity of the bath or greater. Installations will vary.

Allow for 3" (76 mm) diameter of clearance around the drain pipe on finished floor material to prevent drain body interference during installation.

