



# Entity® | K-26107-RA

60" x 36" alcove bath with right drain

## Features

- Integral apron creates a clean, finished look
- Low step-over height allows easy entry and exit
- Round overflow
- Integral lumbar support
- Textured bottom surface



## Available Colors/Finishes

*Color tiles intended for reference only.*

- 0 White



1-800-4KOHLER (1-800-456-4537)  
Kohler Co. reserves the right to make revisions without notice to product specifications.  
For the most current specification sheet, go to [www.kohler.com](http://www.kohler.com) USA or [www.kohler.ca](http://www.kohler.ca) Canada.  
3-27-2026 16:6 - US-CA

THE BOLD LOOK  
OF **KOHLER**®

## Codes/Standards

ADA compliant when installed to the specific requirements of these regulations.

ADA

CSA B45.5/IAPMO Z124  
ASTM E162  
ASTM E662  
ADA  
ICC/ANSI A117.1

## Technical Information

All product dimensions are nominal.

Drain Location:	Right
Drain Hole Diameter:	2-1/4" (57 mm)
Minimum Flat for Door:	2-15/16" (74 mm)
Basin Area, Bottom:	45-1/16" x 28-3/8" (1145 mm x 720 mm)
Basin Area, Top:	53-1/16" x 30-3/8" (1348 mm x 771 mm)
Water Depth:	9-1/8" (232 mm)
Water Capacity:	47.4 gal (179.4 L)
Minimum Floor Load:	36 lbs/ft <sup>2</sup>
Weight:	65 lbs (29.5 kg)

## Material

- Acrylic

## Recommended Products/Accessories

K-23726 Drain treatment

K-23732 Tub & shower cleaner

K-11660 1-1/2" adjustable drain, 17-gauge brass, for 14" to 16" baths

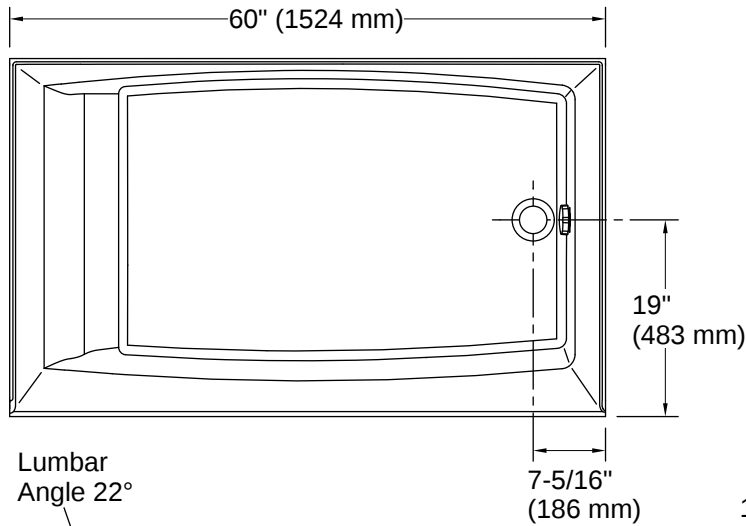
## Warranty

See website for detailed warranty information.

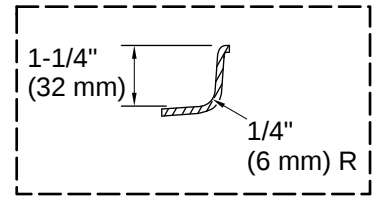
KOHLER® Plastic Baths and Shower Bases Lifetime Limited Warranty



1-800-4KOHLER (1-800-456-4537)  
Kohler Co. reserves the right to make revisions without notice to product specifications.  
For the most current specification sheet, go to [www.kohler.com](http://www.kohler.com) USA or [www.kohler.ca](http://www.kohler.ca) Canada.  
3-27-2026 16:6 - US-CA

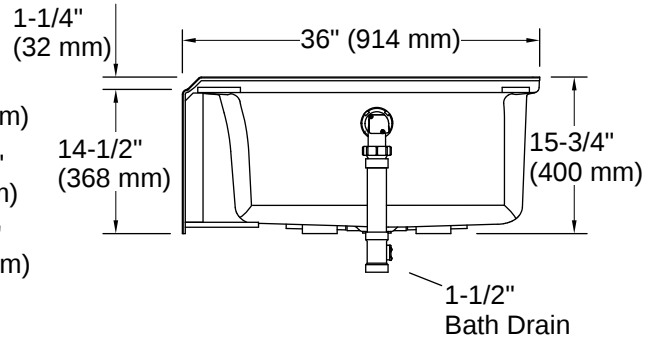
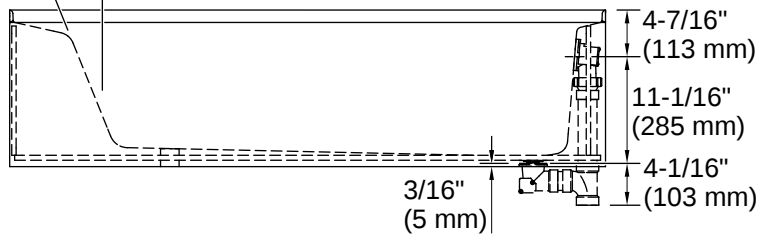


No change in measurements if connected with drain illustrated. (K-7213)



**Internal Flange Detail**

Lumbar Angle 22°



## Installation

- Alcove
- Integral flange
- Right drain

## Installation Notes

*Install this product according to the installation instructions.*

Measure your actual product for rough-in details.

The hot water supply should be 70% of the capacity of the bath or greater. Installations will vary.

ADA compliant when installed to the specific requirements of these regulations.

