



# Avec® | K-25830-RA

60" x 30" alcove bath, right drain

## Features

- Slotted overflow allows for deep soaking
- 13-1/4" (337 mm) deep-soaking depth provides a relaxing bathing experience
- Integral lumbar support and neck rest offer extra comfort while bathing
- Low step-over height allows easy entry and exit
- Integral overflow reduces installation time
- Integral apron creates a clean, finished look
- Textured bottom surface



## Available Colors/Finishes

*Color tiles intended for reference only.*

- 0 White
- 96 Biscuit
- NY Dune



1-800-4KOHLER (1-800-456-4537)  
Kohler Co. reserves the right to make revisions without notice to product specifications.  
For the most current specification sheet, go to [www.kohler.com](http://www.kohler.com) USA or [www.kohler.ca](http://www.kohler.ca) Canada.  
3-27-2026 16:58 - US-CA

THE BOLD LOOK  
OF **KOHLER**

---

## Codes/Standards

*ADA compliant when installed to the specific requirements of these regulations.*

ADA

CSA B45.5/IAPMO Z124  
ASTM E162  
ASTM E662  
ADA  
ICC/ANSI A117.1

---

## Technical Information

*All product dimensions are nominal.*

Drain Location:	Right
Drain Hole Diameter:	2-1/4" (57 mm)
Minimum Flat for Door:	2-15/16" (75 mm)
Basin Area, Bottom:	43-1/2" x 18-13/16" (1105 mm x 478 mm)
Basin Area, Top:	55-15/16" x 23-1/2" (1421 mm x 597 mm)
Water Depth:	13-1/4" (337 mm)
Water Capacity:	51.06 gal (193.3 L)
Minimum Floor Load:	41.3 lbs/ft <sup>2</sup>
Weight:	87.2 lbs (39.6 kg)

---

## Material

- Acrylic
- 

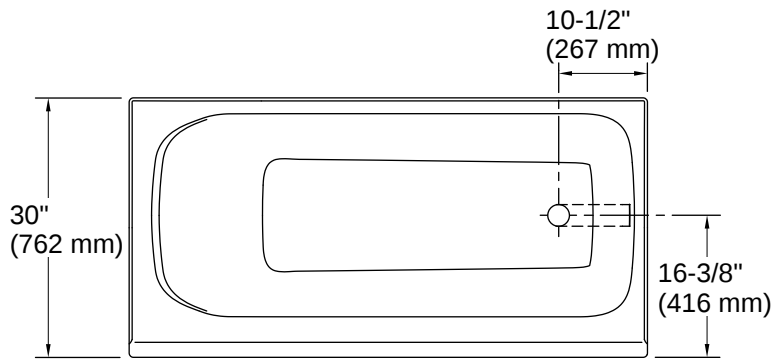
## Warranty

*See website for detailed warranty information.*

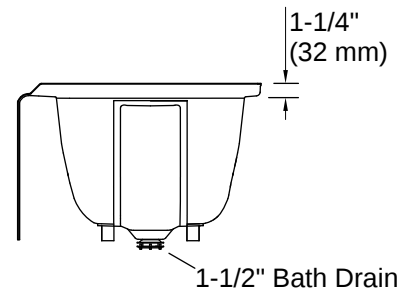
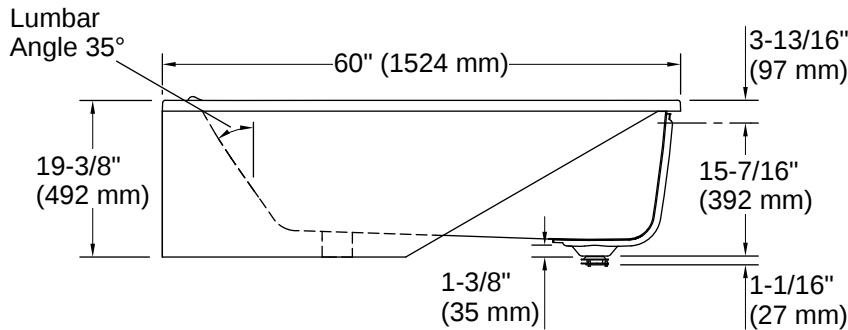
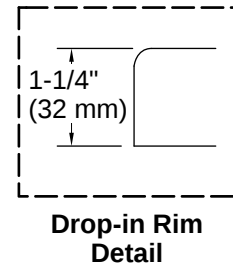
KOHLER® Plastic Baths and Shower Bases Lifetime Limited Warranty



1-800-4KOHLER (1-800-456-4537)  
Kohler Co. reserves the right to make revisions without notice to product specifications.  
For the most current specification sheet, go to [www.kohler.com](http://www.kohler.com) USA or [www.kohler.ca](http://www.kohler.ca) Canada.  
3-27-2026 16:58 - US-CA



No change in measurements if connected with drain illustrated. (1475082)



## Installation

- Alcove
- Right drain

## Installation Notes

*Install this product according to the installation instructions.*

Measure your actual product for rough-in details.

The hot water supply should be 70% of the capacity of the bath or greater. Installations will vary.

ADA compliant when installed to the specific requirements of these regulations.

