

## Features

- Rounded glass shades join pristinely with decorative mounts, creating an elegant simplicity
- Sconces can be positioned up or down, depending on room setting
- Candelabra base (E12) socket, works best with B11 or T8 bulb (sold separately)
- Suitable for damp locations, per UL 1598
- Includes installation hardware
- Coordinates with other products in the Crue collection
- Fixture is dimmable when paired with dimmer switch and compatible bulbs

## Material

- Manufactured with quality materials and complemented with a meticulous finishing process
- Durable finishes engineered to last and designed to coordinate with KOHLER faucet finishes



## Codes/Standards



UL 1598  
CSA C22.2 No. 250.0

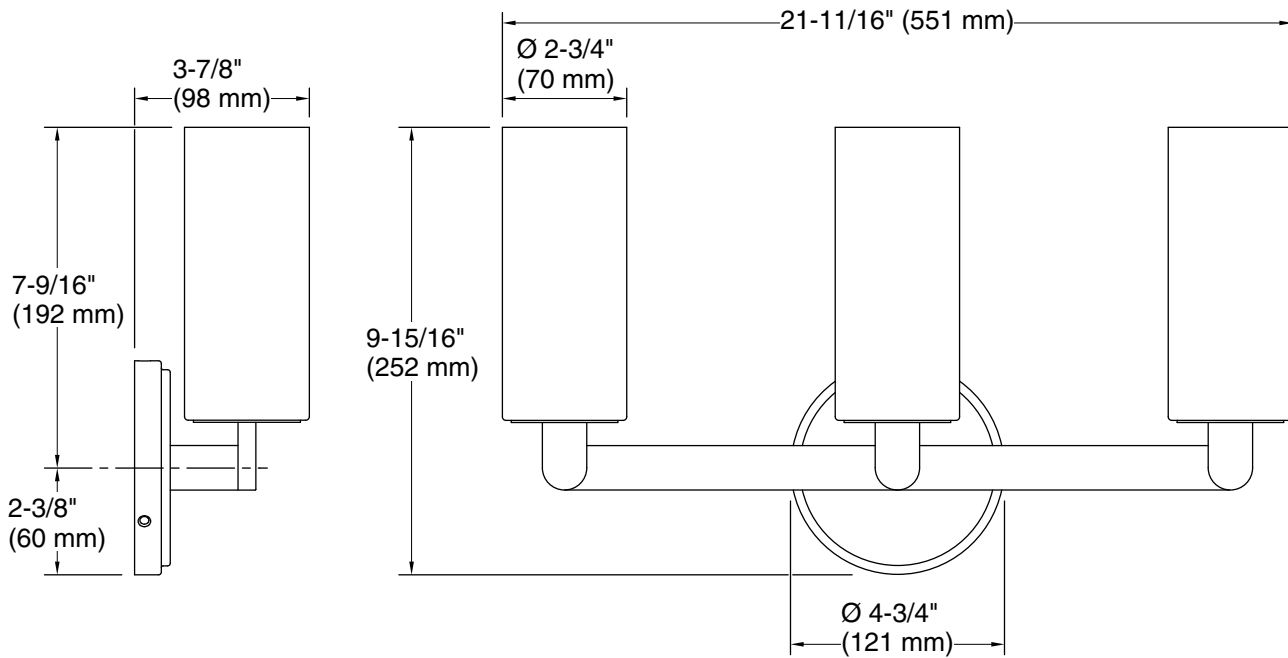
## KOHLER® Indoor Lighting Fixtures Limited Warranty

See website for detailed warranty information.

## Available Colors/Finishes

*Color tiles intended for reference only.*

Color	Code	Description
	TTL	Titanium
	BNL	Brushed Nickel
	CPL	Polished Chrome
	BLL	Matte Black
	2GL	Brushed Moderne Brass



### Required Electrical Service

One circuit required.

120 V, 1.00 A, 60 Hz

### Technical Information

All product dimensions are nominal.

Material: Steel, Glass, Aluminum

Number of Lights: 3

Lighting Type: Socket-based

Socket Type: E-12 Candelabra

Number of Shades: 3

Shade Type: Frosted Glass

Hanging Type: Non-hanging

### Notes

Install this product according to the installation instructions.