



Landshapes® by Daniel Arsham

One-light LED sconce
K-32694-SCLED

Features

- Designed in collaboration with Daniel Arsham
- A delicate glass sheet drapes over a sphere of light creating a warm luminosity
- Integrated LED
- Suitable for damp locations, per UL 1598
- Includes installation hardware
- Pairs with K-32693-SCLED one-light sconce for a distinctly asymmetrical aesthetic (sold separately)
- Coordinates with other products in the Landshapes™ by Daniel Arsham collection

Material

- Premium metal and glass construction
- Manufactured with quality materials and complemented with a meticulous finishing process
- Durable finishes engineered to last and designed to coordinate with KOHLER faucet finishes

Installation

- Wall-mount

Recommended Products/Accessories

- K-32693-SCLED One-light LED sconce
- K-32695-PELED 14-3/4" pendant
- K-32131 69-1/2" x 34-1/2" freestanding bath
- K-32298 36" bathroom vanity cabinet
- K-32300 21-1/2" oval vessel bathroom sink, no overflow
- K-32307 31" Dekton® vanity top
- K-32576 4" x 4" feature tile produced by the KOHLER WasteLAB
- K-32624 3" x 12" feature tile produced by the KOHLER WasteLAB
- K-32639 6" x 6" feature tile produced by the KOHLER WasteLAB
- K-5401-DA One-piece elongated smart toilet, dual-flush
- K-T77981-CLG Wall-mount bathroom sink faucet handle trim



Codes/Standards


UL 1598
CSA C22.2 No. 250.0

KOHLER® Indoor Lighting Fixtures Limited Warranty

See website for detailed warranty information.

Available Colors/Finishes

Color tiles intended for reference only.

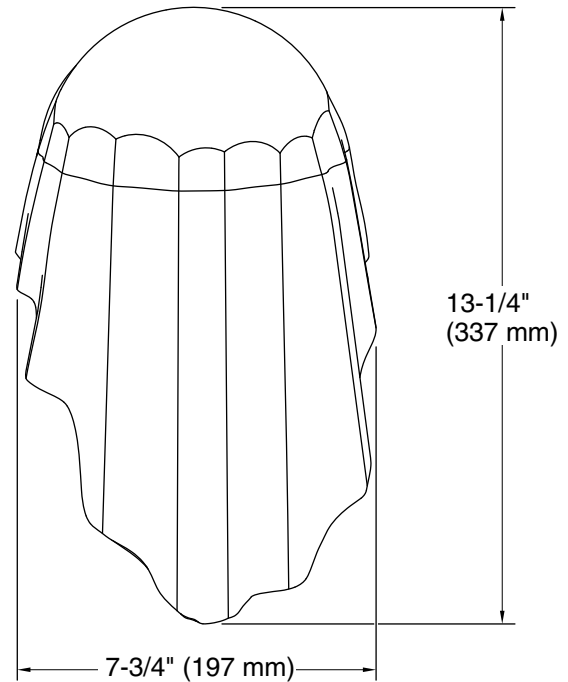
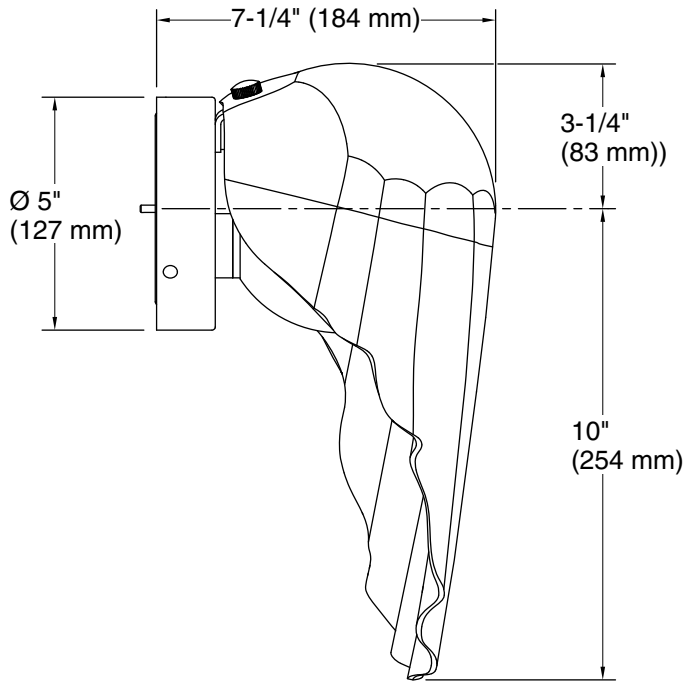
Color	Code	Description
	BNL	Brushed Nickel



Landshapes® by Daniel Arsham

One-light LED sconce

K-32694-SCLED



Required Electrical Service

One circuit required.

120 V, 1 A, 60 Hz

Technical Information

All product dimensions are nominal.

Material:	Steel, Glass
Lighting Type:	Integrated LED
Number of Shades:	1
Shade Type:	Painted Glass
Hanging Type:	Non-hanging
CRI	>=90
Life Span	50000 Hours

Notes

Install this product according to the installation instructions.