

Features

- Globular glass shades extend from rods with flared metal detail in elegant transitional designs suited for any room
- Coordinates with other products in the Bellera collection
- Requires ten bulbs with candelabra (E12) base; type T bulb recommended (sold separately)
- Suitable for damp locations, per UL 1598
- Includes installation hardware
- Fixture is dimmable when paired with dimmer switch and compatible bulbs

Material

- Premium metal and glass construction
- Manufactured with quality materials and complemented with a meticulous finishing process
- Durable finishes engineered to last and designed to coordinate with KOHLER faucet finishes



Codes/Standards



UL 1598
CSA C22.2 No. 250.0

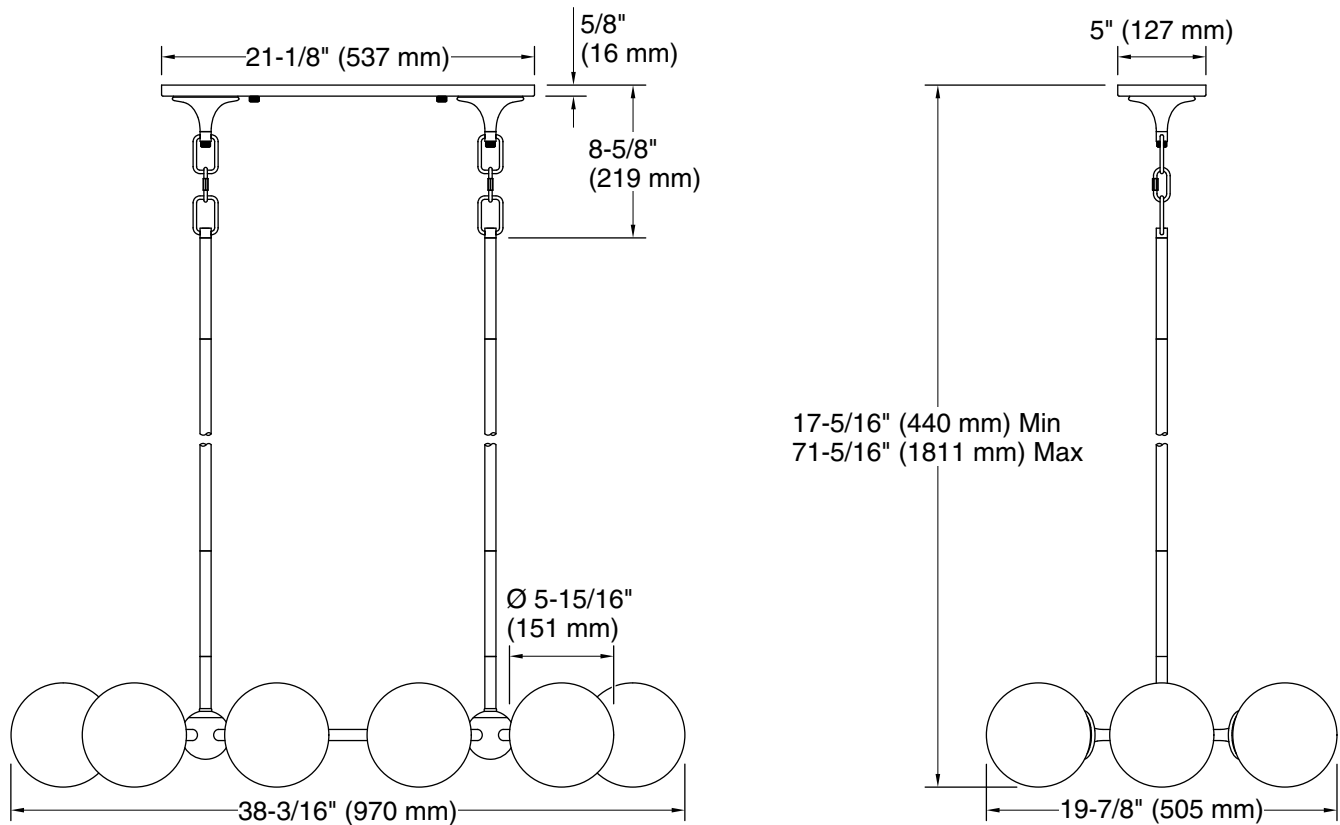
KOHLER® Indoor Lighting Fixtures Limited Warranty

See website for detailed warranty information.

Available Colors/Finishes

Color tiles intended for reference only.

Color	Code	Description
	SNL	Polished Nickel
	2GL	Brushed Moderne Brass



Required Electrical Service

One circuit required.

120 V, 5 A, 60 Hz

Technical Information

All product dimensions are nominal.

Material: Steel, Aluminum, Zinc, Glass

Number of Lights: 10

Lighting Type: Socket-based

Socket Type: E-12 Candelabra

Number of Shades: 10

Shade Type: Glass - clear

Hanging Type: Downrod

Downrod Detail: 2 x 3" (76 mm), 2 x 6" (152 mm), 2 x 12" (305 mm), 4 x 18" (457 mm)

Height: 17-5/16" (440 mm) - 71-5/16" (1811 mm)