

Features

- Frosted-glass shade
- Sconce can be positioned up or down, depending on room setting
- Coordinates with other products in the Devonshire collection
- Includes installation hardware
- Suitable for damp locations, per UL 1598
- Fixture is dimmable when paired with dimmer switch and compatible bulbs

Material

- Premium metal construction for durability and reliability
- KOHLER finishes resist corrosion and tarnishing

Recommended Products/Accessories

K-CB-CLR1620FS Medicine Cabinet



Codes/Standards

UL 1598
CSA C22.2 No. 250.0
cETL Listed
ETL Listed

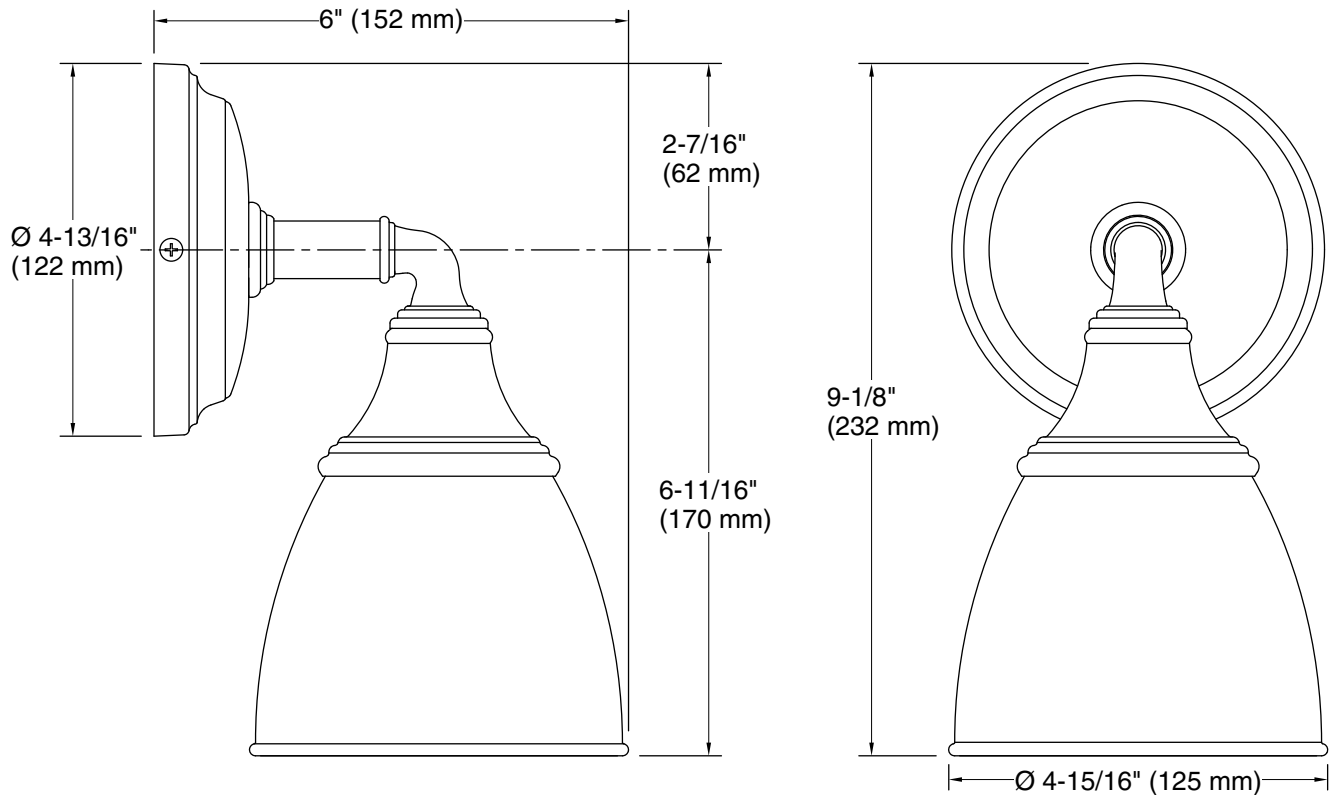
KOHLER® Faucet Lifetime Limited Warranty

See website for detailed warranty information.

Available Colors/Finishes

Color tiles intended for reference only.

Color	Code	Description
	BNL	Brushed Nickel
	CPL	Polished Chrome
	BLL	Matte Black
	2GL	Brushed Moderne Brass
	BML	Black, Brass Trim
	GZL	



Required Electrical Service

0.5 A

Technical Information

All product dimensions are nominal.

Material:	Metal, Glass
Number of Lights:	1
Lighting Type:	Socket-based
Number of Shades:	1
Shade Type:	Frosted Glass
Hanging Type:	Non-hanging

Notes

Install this product according to the installation instructions.