

## Features

- Compression valve
- Annealed vertical tube with supply flange
- 1/2" NPT connection with flange
- Four-arm handle stop

## Material

- Brass



## Codes/Standards





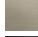





ASME A112.18.1/CSA B125.1

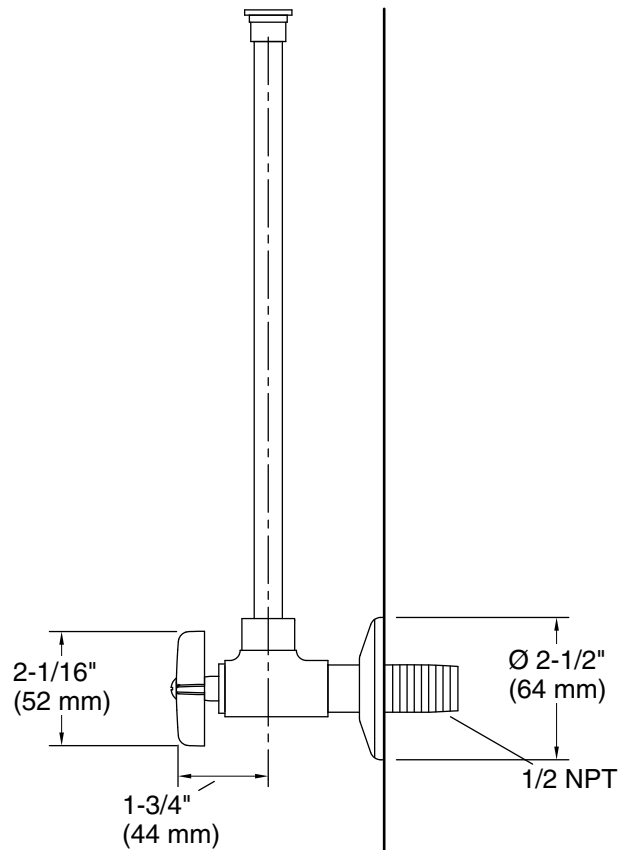
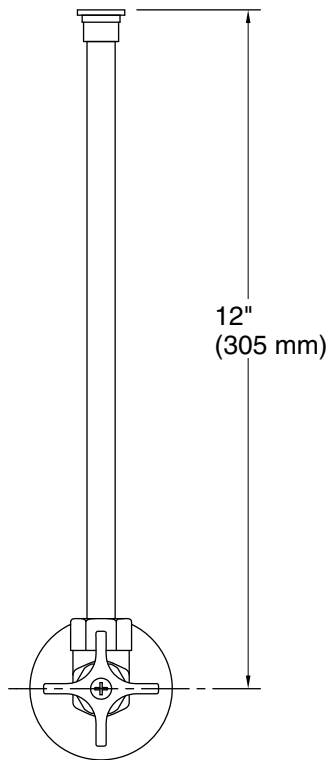
## KOHLER® One-Year Limited Warranty

See website for detailed warranty information.

## Available Colors/Finishes

*Color tiles intended for reference only.*

Color	Code	Description
	CP	Polished Chrome
	SN	Vibrant® Polished Nickel
	AF	Vibrant® French Gold
	BN	Vibrant® Brushed Nickel
	BV	Vibrant® Brushed Bronze
	BL	Matte Black
	2MB	Vibrant® Brushed Moderne Brass
	BGP	Vibrant Brushed Graphite
	TT	Vibrant Titanium
	DR	Deep Bronze



## Technical Information

All product dimensions are nominal.

Material: Brass

## Notes

Install this product according to the installation instructions.