



Iron Works® Decorative Bath Drain K-7178

Features

- 17-gauge brass construction
- Brass tailpiece
- Adjustable trip lever
- Supports both above- and through-the-floor installations
- For use with Iron Works Historic™ baths

Recommended Products/Accessories

K-23726 Drain treatment



Codes/Standards

ASME A112.18.2/CSA B125.2

KOHLER® One-Year Limited Warranty

See website for detailed warranty information.

Available Colors/Finishes

Color tiles intended for reference only.

Color	Code	Description
	CP	Polished Chrome
	SN	Vibrant® Polished Nickel
	AF	Vibrant® French Gold
	BN	Vibrant® Brushed Nickel
	2MB	Vibrant® Brushed Moderne Brass
	TT	Vibrant Titanium
	DR	Deep Bronze

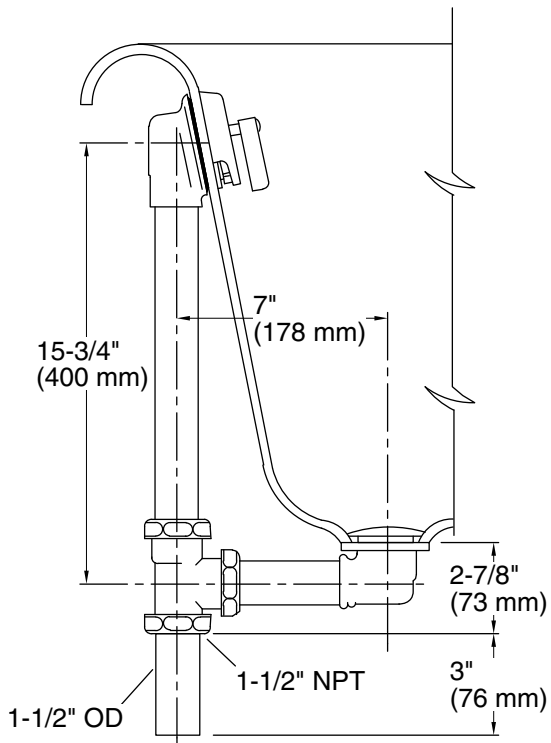
1-800-4KOHLER (1-800-456-4537)

Kohler Co. reserves the right to make revisions without notice to product specifications.

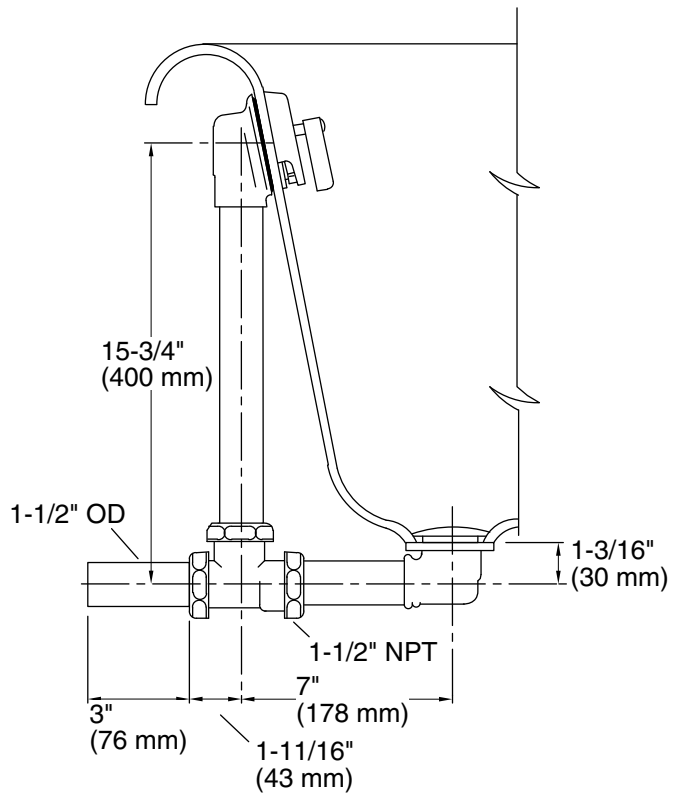
For the most current Specification Sheet, go to www.kohler.com USA or www.kohler.ca Canada

1-9-2026 23:04 - US/CA

THE BOLD LOOK
OF **KOHLER**®



Through-the-Floor



Above-the-Floor

Technical Information

All product dimensions are nominal.

Material: Brass

Notes

Install this product according to the installation instructions.