

Features

- Kinesis® technology with concealed sensor allows for a clean aesthetic and provides extraordinarily accurate and reliable actuation in varying installation environments
- Below-counter valving reduces the faucet footprint and provides easier service
- Design-forward aesthetic for commercial bathroom spaces
- 0.5 gpm (1.9 lpm) maximum flow rate
- AA battery-powered; up to four-year battery life (approx. 105,000 cycles)
- On-demand usage with 30-second max. continual run cycle to prevent vandalism and save water
- Vandal-resistant laminar outlet
- 18" (457 mm) stainless steel braided flexible supply hose for easy installation
- Grid drain
- Concealed mechanical mixer sold separately
- Complies with the Safe Drinking Water Act (SDWA)
- Box includes: Spout assembly, grid drain, control box assembly, supply hose, and standard mounting hardware
- Includes four AA batteries

Material

- Brass spout
- Cast brass valve

Technology

- Kinesis® sensor technology offers on-demand detection for maximum water savings

Installation

- Wall-mount

Recommended Products/Accessories

K-23726 Drain treatment

Included Components

K-7129-A Bathroom sink grid drain with overflow



ADA

CSA B651

OBC

Codes/Standards

ASME A112.18.1/CSA B125.1
NSF/ANSI/CAN 61
NSF/ANSI/CAN 372
DOE - Energy Policy Act 1992
California Energy Commission (CEC)
ADA
ICC/ANSI A117.1
CSA B651
OBC
NOM Standards
NOM 012-CONAGUA

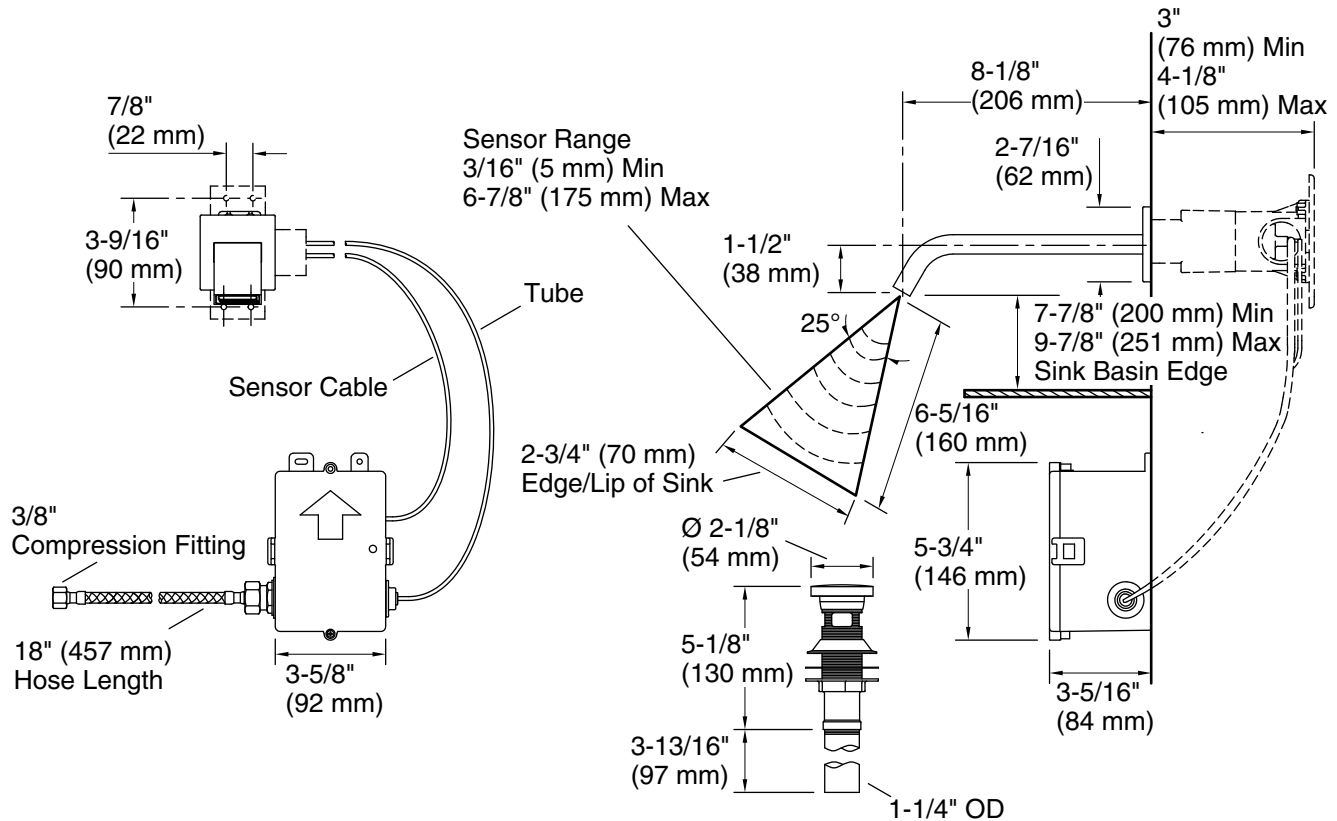
KOHLER® One-Year Limited Warranty

See website for detailed warranty information.

Available Colors/Finishes

Color tiles intended for reference only.

Color	Code	Description
	CP	Polished Chrome



Technical Information

All product dimensions are nominal.

Power source: Battery - DC, included
Faucet flow rate: 0.5 gal/min (1.9 l/min)

Drain included: Yes
Drain tailpiece included: Yes

Spout:

Spout reach: 8-9/16" (217 mm)

Notes

Install this product according to the installation instructions.

ADA, OBC, CSA B651 compliant when installed to the specific requirements of these regulations.