

### Features

- Kinesis® technology with concealed sensor allows for a clean aesthetic and provides extraordinarily accurate and reliable actuation in varying installation environments
- Below-counter valving reduces the faucet footprint and provides easier service
- Design-forward aesthetic for commercial bathroom spaces
- 0.5 gpm (1.9 lpm) maximum flow rate
- Requires single or multiple AC adapter unit (sold separately)
- On-demand usage with 30-second max. continual run cycle to prevent vandalism and save water
- Vandal-resistant aerator
- 18" (457 mm) stainless steel braided flexible supply hose for easy installation
- Includes spout assembly, grid drain, control box assembly, mechanical mixer, supply hose, and standard mounting hardware
- Complies with the Safe Drinking Water Act (SDWA)

### Material

- Brass construction spout

### Technology

- Kinesis® sensor technology offers on-demand detection for maximum water savings

### Installation

- Single-hole mounting

### Included Components

K-7129-A Bathroom sink grid drain with overflow



ADA

CSA B651

OBC

### Codes/Standards

ASME A112.18.1/CSA B125.1  
NSF/ANSI/CAN 61  
NSF/ANSI/CAN 372  
DOE - Energy Policy Act 1992  
California Energy Commission (CEC)  
ADA  
ICC/ANSI A117.1  
CSA B651  
OBC

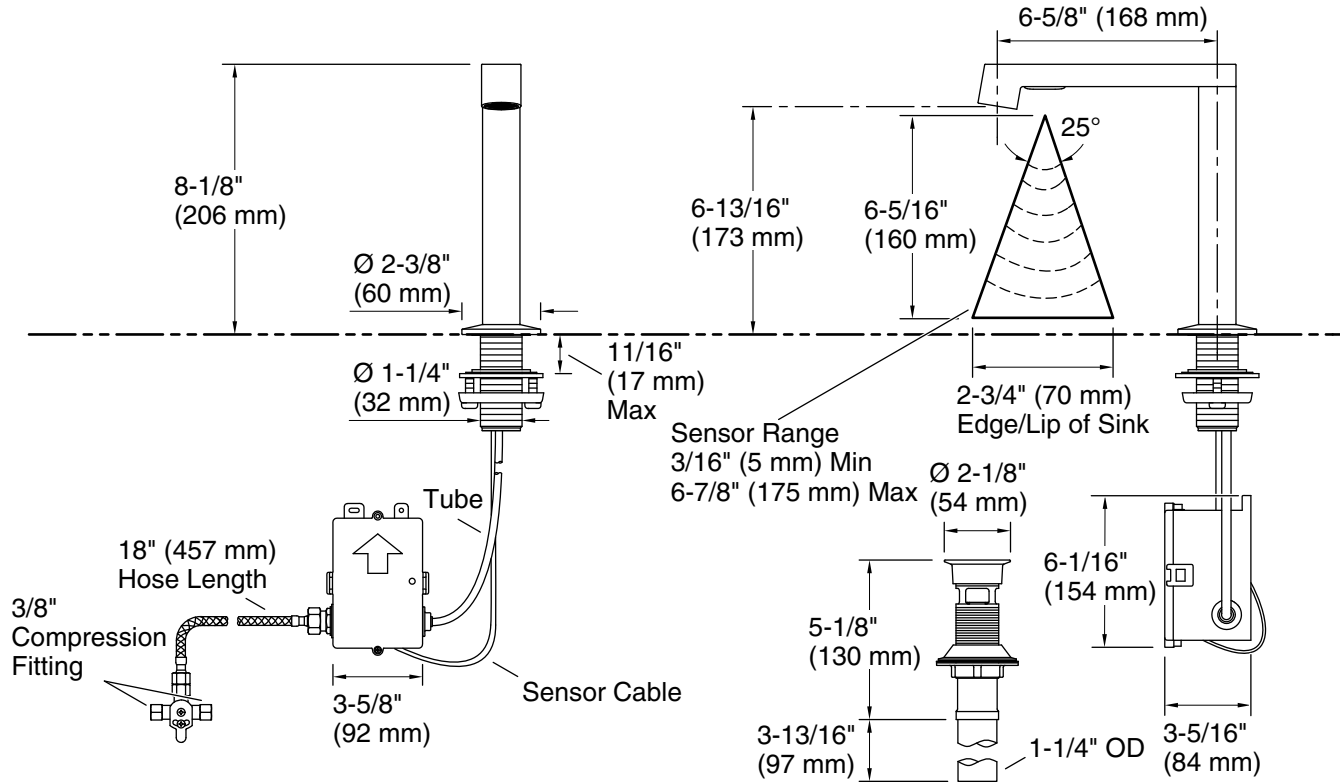
### KOHLER® One-Year Limited Warranty

See website for detailed warranty information.

### Available Colors/Finishes

*Color tiles intended for reference only.*

Color	Code	Description
	CP	Polished Chrome
	BN	Vibrant® Brushed Nickel
	BL	Matte Black
	2MB	Vibrant® Brushed Moderne Brass



### Required Electrical Service

One circuit required, protected with Class A Ground-Fault Circuit-Interrupter (GFCI). Outside North America, this device may be known as a Residual Current Device (RCD).

110/220 V, 50 Hz

### Technical Information

All product dimensions are nominal.

Power source:	Plug - AC, not included
Faucet flow rate:	0.5 gal/min (1.9 l/min)
Drain included:	Yes
Drain with overflow:	Yes
Drain tailpiece included:	Yes

### Spout:

Spout reach: 6-5/8" (168 mm)

### Pressure/fixture Supply Requirements

Fixture pressure max (static):	125 psi (861.8 kPa)
Fixture pressure min:	20 psi (137.9 kPa)

### Notes

Install this product according to the installation instructions.

ADA, OBC, CSA B651 compliant when installed to the specific requirements of these regulations.