

### Features

- Single Lever handle allows for both volume and temperature control
- KOHLER® ceramic disc valves exceed industry longevity standards for a lifetime of durable performance
- Temperature memory allows faucet to be turned on and off at the temperature set during prior usage
- 0.5 gpm (1.9 lpm) maximum flow rate
- Includes metal pop-up drain with 1-1/4" (32 mm) tailpiece
- Red/blue indexing on handle
- Coordinates with Honesty faucets accessories, and showering components to complete your bathroom

### Material

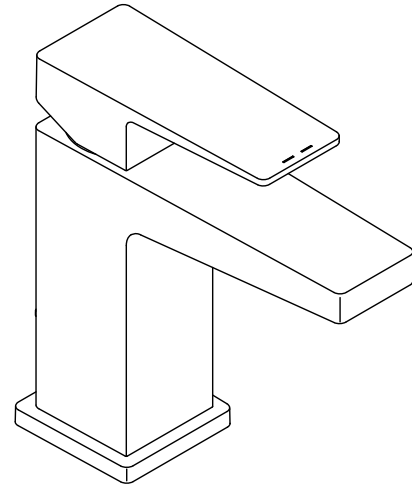
- Brass
- KOHLER finishes resist corrosion and tarnishing

### Installation

- For single-hole installation
- Preattached flexible supply lines simplify installation

### Recommended Products/Accessories

- K-23726 Drain treatment
- K-26633 18" towel bar
- K-26634 24" towel bar
- K-26635 12" towel bar
- K-26636 Robe hook
- K-26637 Towel arm
- K-26638 Pivoting toilet paper holder



ADA

CSA B651

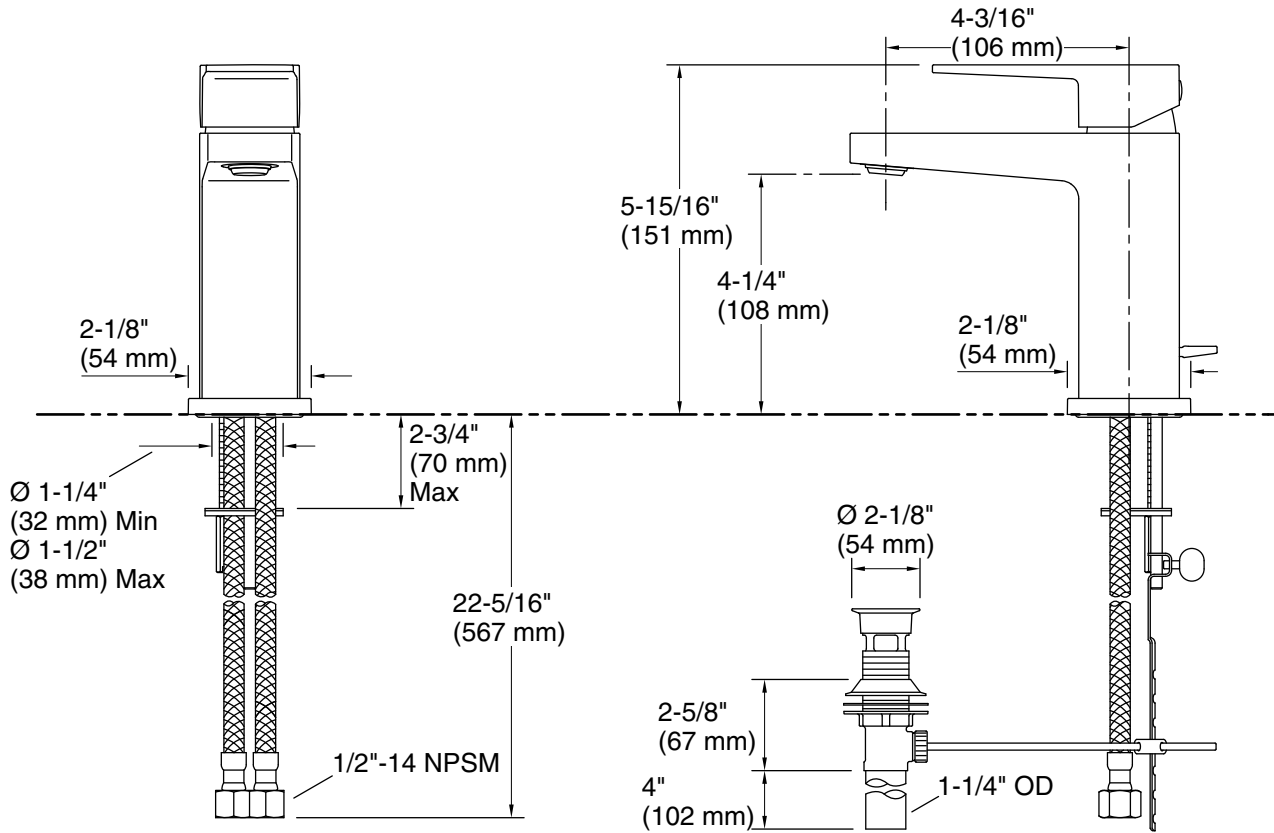
OBC

### Codes/Standards

ASME A112.18.1/CSA B125.1  
NSF/ANSI/CAN 61  
NSF/ANSI/CAN 372  
DOE - Energy Policy Act 1992  
California Energy Commission (CEC)  
ADA  
ICC/ANSI A117.1  
CSA B651  
OBC

### KOHLER® Faucet Lifetime Limited Warranty

See website for detailed warranty information.



### Technical Information

All product dimensions are nominal.

Faucet flow rate: 0.5 gal/min (1.9 l/min)

Drain included: Yes

Drain with overflow: Yes

Drain tailpiece included: Yes

### Spout:

Spout reach: 4-3/16" (106 mm)

### Notes

Install this product according to the installation instructions.

ADA compliant for handles only.

ADA, OBC, CSA B651 compliant when installed to the specific requirements of these regulations.