

Features

- Vertically adjustable 3x magnifying mirror on inside of door
- Three adjustable tempered-glass shelves
- Full-overlay mirrored door
- Mirrored interior
- Slow-close door prevents slamming
- Two-way adjustable hinges with 108° opening capability for easy cabinet access

Material

- Anodized aluminum construction with a durable rustproof and chip-resistant finish
- Anodized aluminum construction with a durable rustproof and chip-resistant finish

Installation

- Can be installed with left- or right-hand swing
- Includes mounting hardware for surface or recessed installation
- Requires K-99012 or K-99675 side mirror kit (sold separately) for surface-mount installation

Required Products/Accessories

K-99012 30" mirrored side kit for medicine cabinet

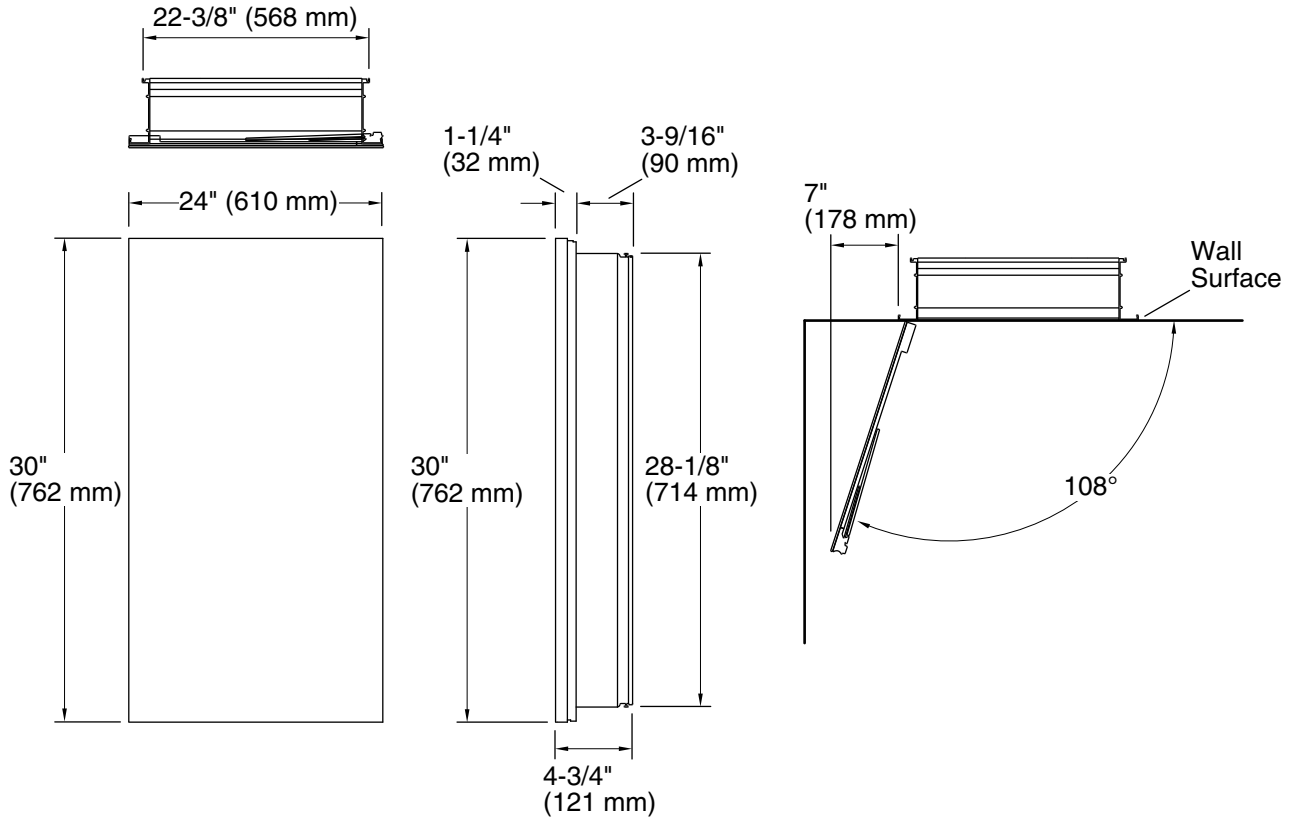


Codes/Standards

None Applicable

KOHLER® One-Year Limited Warranty

See website for detailed warranty information.



Technical Information

All product dimensions are nominal.

Notes

Install the cabinet a minimum of 3" (76 mm) above any obstructions (such as a faucet).

For surface-mount, use anchors (not provided) rated for the loaded weight of this product.

This cabinet is designed for either right or left door swing. Check for obstructions.