

## Features

- Three adjustable tempered-glass shelves
- Full-overlay mirrored door
- Mirrored interior
- Two-way adjustable hinges with 108° opening capability for easy cabinet access

## Material

- Anodized aluminum construction with a durable rustproof and chip-resistant finish
- Anodized aluminum construction with a durable rustproof and chip-resistant finish

## Installation

- Can be installed with left- or right-hand swing
- Includes mounting hardware for surface or recessed installation
- Requires K-99012 or K-99675 side mirror kit (sold separately) for surface-mount installation

## Required Products/Accessories

K-99012 30" mirrored side kit for medicine cabinet

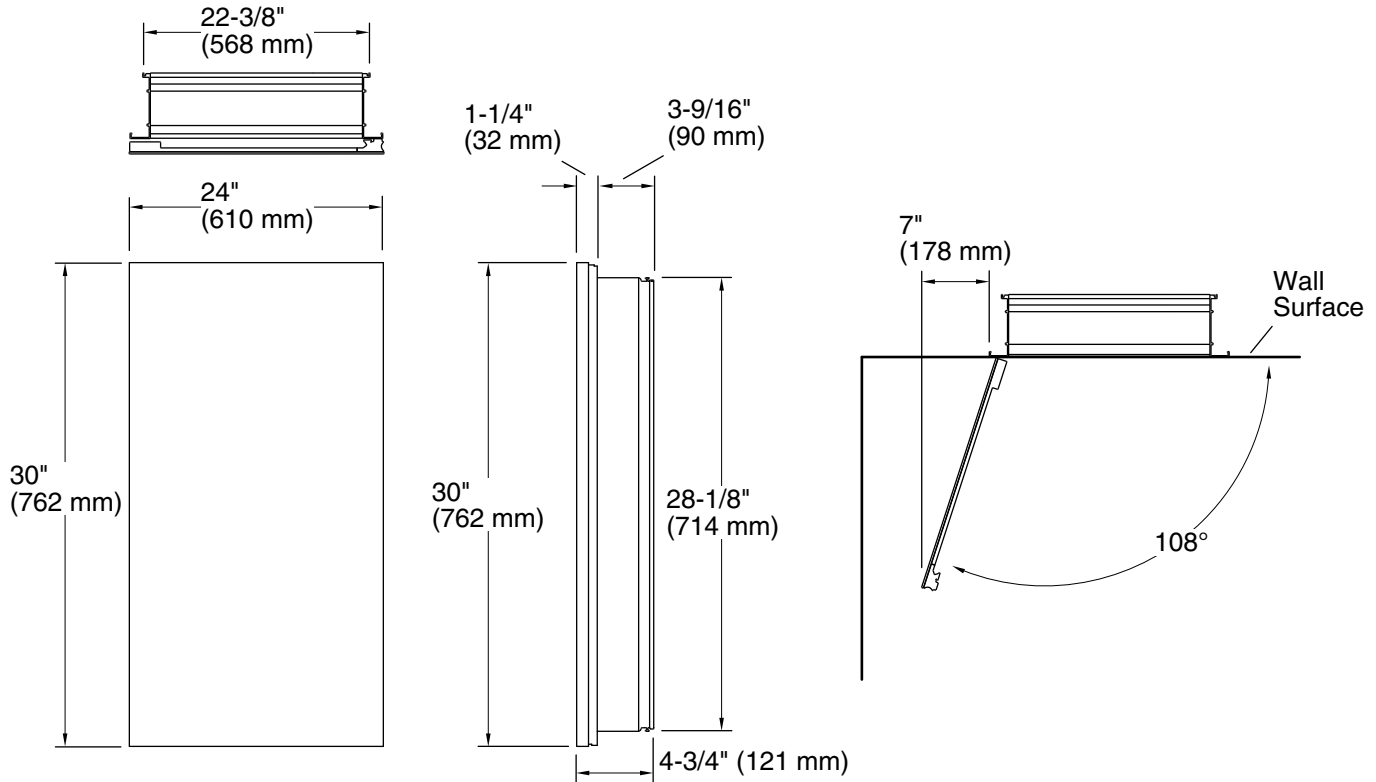


## Codes/Standards

None Applicable

## KOHLER® One-Year Limited Warranty

See website for detailed warranty information.



## Technical Information

All product dimensions are nominal.

## Notes

Install this product according to the installation instructions.

Install the cabinet a minimum of 3" (76 mm) above any obstructions (such as a faucet).

For surface-mount, use anchors (not provided) rated for the loaded weight of this product.

This cabinet is designed for either right or left door swing. Check for obstructions.