

### Features

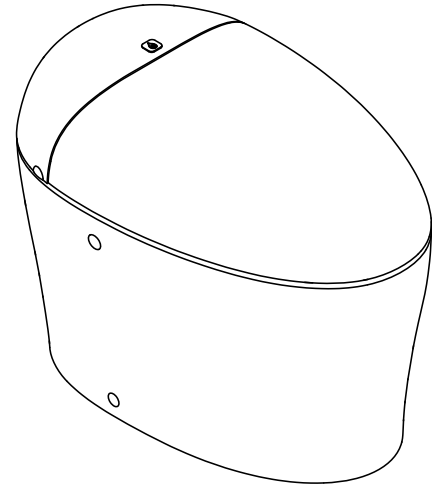
- Compact, streamlined one-piece smart toilet with integrated personal cleansing
- Elongated bowl offers added room and comfort
- 1.08 gallons per flush (gpf)
- Advanced bidet functionality with self-cleaning wand and precision air dryer
- Adjustable settings for heated seat, dryer and water temperature
- Motion-activated, hands-free opening/closing of cover
- LED lighting illuminates the bowl to serve as a nightlight
- Stainless steel wand offers adjustable spray shape, position, water pressure, temperature, pulsate, and oscillate functions
- Bowl is automatically misted prior to use for more effective rinsing while flushing
- English-language touch-screen LCD remote control
- Self-cleaning function uses UV light and electrolyzed water systems to automatically clean the wand surfaces
- Automatic deodorizer fan reduces odors
- Power Lite® flushing technology offers a powerful, water-efficient 1.08-gallon flush
- Automatic flushing after every use; flush can also be controlled by the touch-screen remote or backup button
- Minimum static pressure of 20 psi required

### Installation

- Standard 12" (305 mm) rough-in

### Recommended Products/Accessories

K-23726 Drain treatment



### Codes/Standards

ASME A112.19.2/CSA B45.1  
ASME A112.4.2/CSA B45.16  
DOE - Energy Policy Act 1992  
EPA WaterSense®  
California Energy Commission (CEC)  
UL 1951  
CSA C22.2 No. 14  
CSA C22.2 No. 68  
NOM Standards  
NOM 003-SCFI  
cUL Listed  
UL Listed

### KOHLER® Intelligent Toilet and C3® Cleansing Seat Three-Year Limited Warranty

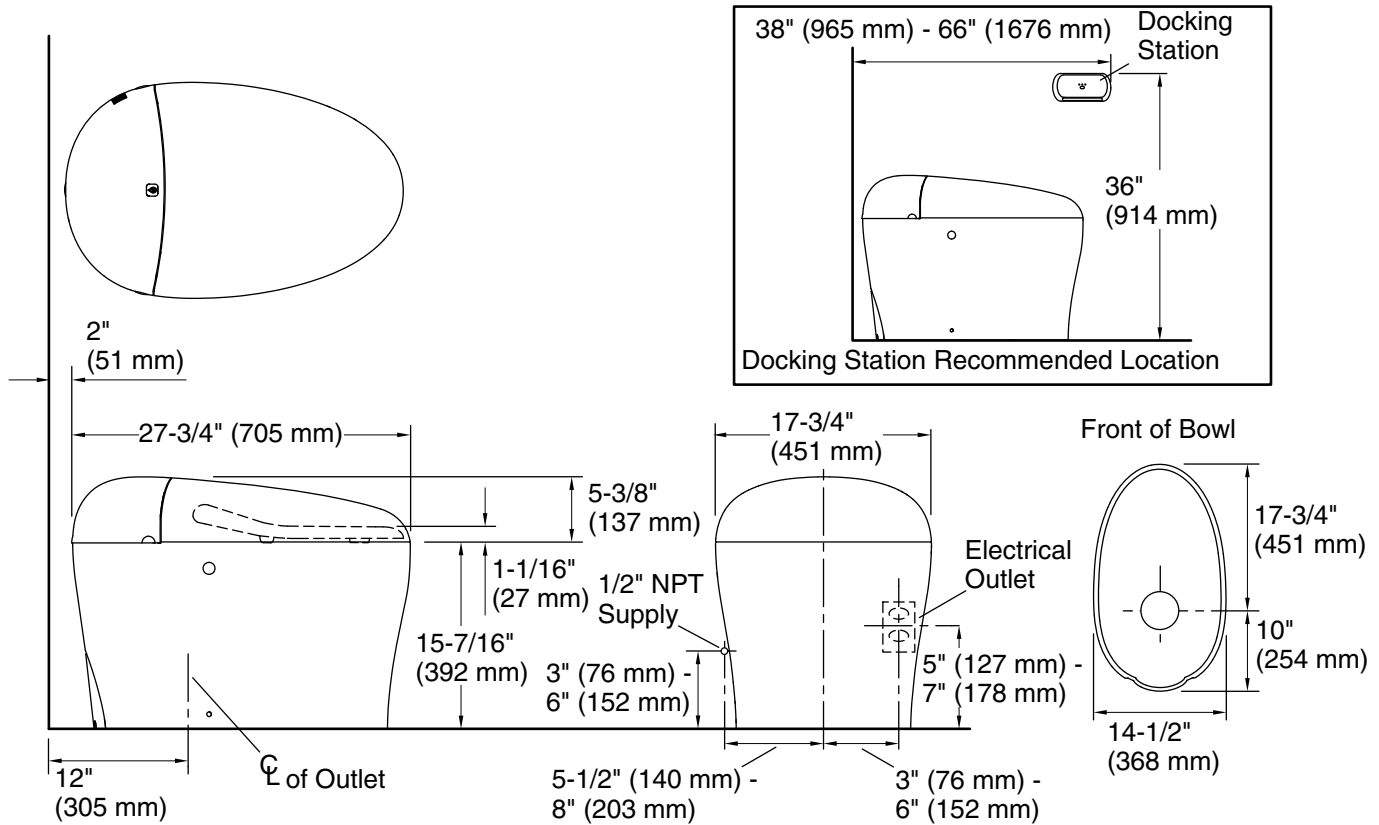
See website for detailed warranty information.

### Available Colors/Finishes

*Color tiles intended for reference only.*

Color	Code	Description
-------	------	-------------

	0	White
---	---	-------



## Required Electrical Service

One dedicated circuit required, protected with Class A Ground-Fault Circuit-Interrupter (GFCI). Outside North America, this device may be known as a Residual Current Device (RCD).

120 V, 15 A, 60 Hz

## Technical Information

All product dimensions are nominal.

Toilet type:	Floor-mount
Waste Outlet:	Floor
Bowl shape:	Elongated
Flush type:	Pressure Lite
Trap passageway:	2-7/8" (73 mm)
Water surface size:	12" x 9-1/2" (305 mm x 241 mm)
Rim to water surface:	4-7/8" (124 mm)
Rough-in:	12" (305 mm)
Seat-mounting holes:	5-1/2" (140 mm)

## Fixture Supply Requirements

Min static pressure: 20 psi (137.9 kPa)

1-800-4KOHLER (1-800-456-4537)

Kohler Co. reserves the right to make revisions without notice to product specifications.

For the most current Specification Sheet, go to [www.kohler.com](http://www.kohler.com) USA or [www.kohler.ca](http://www.kohler.ca) Canada

8-23-2025 21:11 - US/CA

## Notes

Install this product according to the installation instructions.

This product is designed for installation with the electrical and water supplies located through either the wall or the floor.

If the rough-in distance is less than 12" (305mm) the seat may strike the wall when it is opened. Confirm the rough-in is 12" (305 mm) before installing the toilet.