

Features

- Transfers water flow to up to three separate components/ outlets
- Components/outlets can be operated individually or in any combination of two components at the same time
- Supplied as a three-way transfer valve (360 degree handle rotation) but can be configured onsite for two-way operation (120 degree handle rotation)
- Single-handle operation
- Using one outlet: 18 gpm flow rate at 45 psi; using two outlets: 20.8 gpm at 45 psi
- One 3/4" female NPT inlet connection
- Three 1/2" female NPT outlet connections
- Controls all functions from a single valve
- Requires additional valve/s to control On/Off operation and temperature (sold separately)
- Requires transfer/diverter valve trim (sold separately)

Material

- Forged dezincification-resistant brass body provides long term reliability and resistance to aggressive water conditions
- Brass

Installation

- Patented K-joint installation technology ensures consistent trim appearance, regardless of variability in valve rough-in (included with trim)

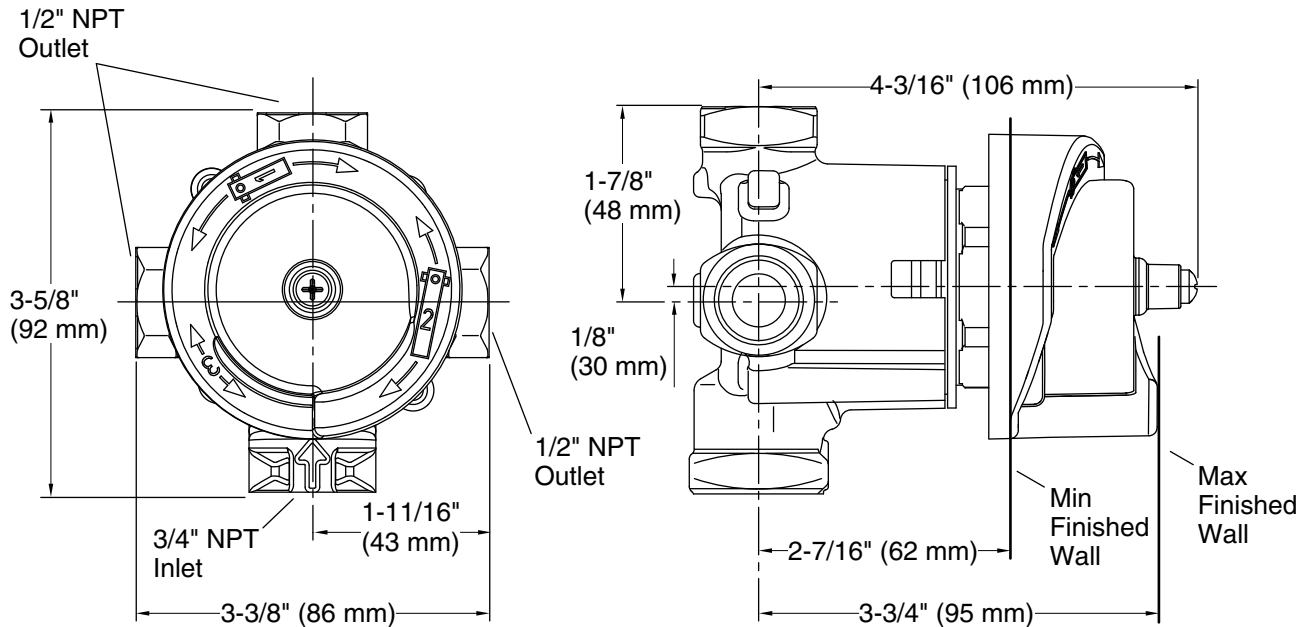


Codes/Standards

ASME A112.18.1/CSA B125.1

KOHLER® Faucet Lifetime Limited Warranty

See website for detailed warranty information.



Technical Information

All product dimensions are nominal.

Spout:

Shower Valve:

| | |
|----------------------------|---------------------------|
| Flow Rate (Max) @ 45 psi | 20.8 gal/min (78.7 l/min) |
| Pressure: | 45 psi (3.1 bar) |
| Maximum (Static) Pressure: | 125 psi (8.6 bar) |