



# Freshman™

Siphon-jet half-stall 1.0 gpf urinal, rear spud  
**K-4989-R**

## Features

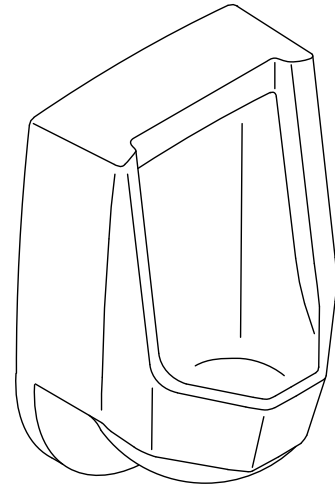
- Siphon jet
- 3/4" (19 mm) rear spud
- 1.0 gpf (3.8 lpf)
- Includes inlet and outlet spuds and hangers

## Material

- Vitreous china

## Recommended Products/Accessories

- K-23726 Drain treatment
- K-23725 Cast iron cleaner



## Codes/Standards

ASME A112.19.2/CSA B45.1  
DOE - Energy Policy Act 1992



## KOHLER® One-Year Limited Warranty

See website for detailed warranty information.

## Available Colors/Finishes

*Color tiles intended for reference only.*

Color	Code	Description
-------	------	-------------

	0	White
	7	Black Black™

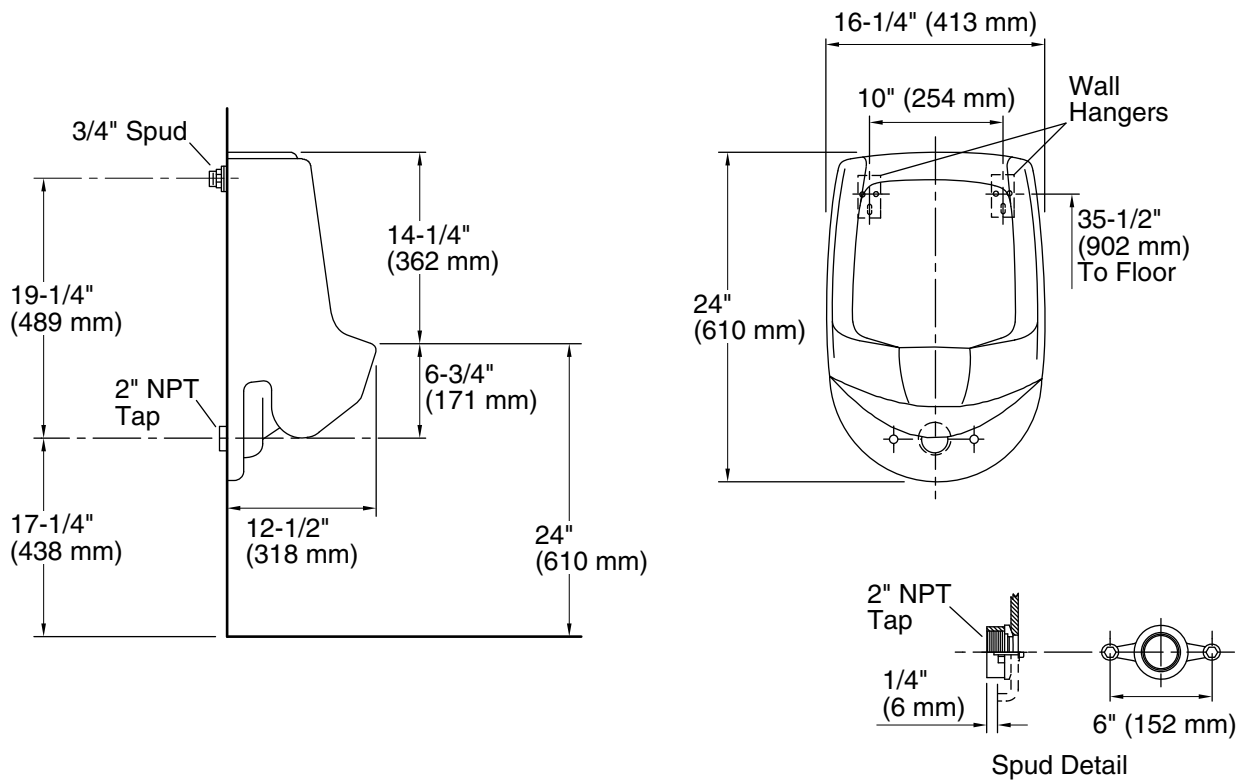
1-800-4KOHLER (1-800-456-4537)

Kohler Co. reserves the right to make revisions without notice to product specifications.

For the most current Specification Sheet, go to [www.kohler.com](http://www.kohler.com) USA or [www.kohler.ca](http://www.kohler.ca) Canada

9-5-2025 22:22 - US/CA

THE BOLD LOOK  
OF **KOHLER**®



### Technical Information

All product dimensions are nominal.

Spud size: Inlet, Rear  
 Min. Water per Flush: 1 gpf (3.8 lpf)  
 Max. Water per Flush: 1 gpf (3.8 lpf)

Designed for the above water use when installed with a water-saving flushometer.

### Notes

Install this product according to the installation instructions.