

### Features

- 18" (457 mm) minimum base cabinet width
- Single bowl
- 9" (229 mm) depth provides generous workspace
- Three faucet holes
- Box includes: Sink, installation hardware, cutout template
- Three-hole faucet drilling

### Material

- Premium 18-gauge stainless steel

### Installation

- Top-mount or undermount

### Recommended Products/Accessories

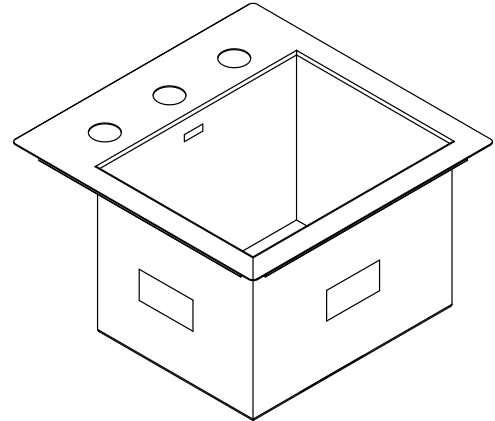
- K-8801 Sink drain and strainer with tailpiece
- K-8799 Sink drain and strainer basket
- K-23726 Drain treatment
- K-23729 Stainless steel cleaner

### Optional Products/Accessories

- 1177161 Installation Clip Kit
- K-11352 Disposal Flange with Stopper

### Included Components

- K-2993 Sink Rack



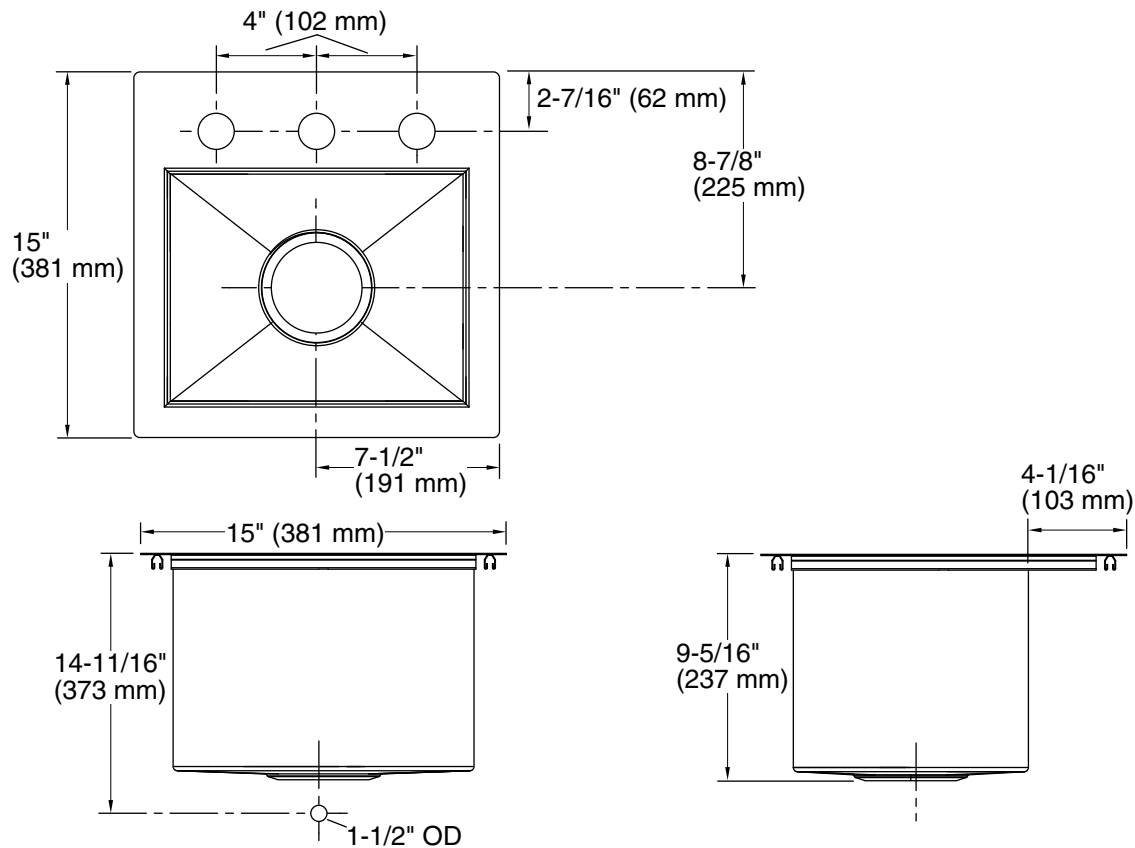
ADA

### Codes/Standards

ASME A112.19.3/CSA B45.4  
ADA  
ICC/ANSI A117.1

### KOHLER® Stainless Steel Sinks Lifetime Limited Warranty

See website for detailed warranty information.



## Technical Information

All product dimensions are nominal.

Basin configuration: Single Bowl

Min. base cabinet width: 18" (457 mm)

Bowl area (Only): Length: 12-1/4" (311 mm)  
Width: 9-9/16" (243 mm)  
Bowl depth: 9" (229 mm)

Number of deck holes: 3

Faucet hole(s): 1-7/16" (37 mm)

Drain hole: 3-5/8" (92 mm)

Template: 1161548-7, required, included

## Notes

Install this product according to the installation instructions.

ADA compliant when installed to the specific requirements of these regulations.

ADA permits a parallel approach to wet bars.