

### Features

- Two-stage filtration system reduces contaminants such as bacteria, virus, lead, mercury, chlorine, chloramine, select pharmaceuticals, and more
- Reduces over 95% of perfluorooctanoic acid (PFOA) and perfluorooctane sulfonate (PFOS) in drinking water
- Two-cartridge system includes coconut shell-based carbon filter and hollow fiber membrane filter
- Hollow fiber membrane technology reduces bacteria and virus in the water
- 0.85 gpm maximum flow rate at 60 psi
- Provides the equivalent of over 2,900 standard 16.9-oz bottles of water
- Filter head automatically turns off the water supply when cartridge is removed
- Includes K-77687 carbon block VOC and K-29639 hollow fiber membrane single replacement filter cartridges
- Recommended for use with KOHLER® beverage faucets

### Material

- High-impact plastic construction

### Installation

- Under-sink
- Quarter-turn twist cartridge for easy installation and replacement
- For cold water use only

### Recommended Products/Accessories

K-29651 Replacement filter cartridge two-pack  
K-26369 Beverage faucet

### Optional Products/Accessories

K-28292 Beverage faucet  
K-26367 Traditional beverage faucet  
K-24074 Beverage faucet  
K-24077 Beverage faucet  
K-26368 Transitional beverage faucet  
K-24134 Beverage faucet

### Included Components

K-29639 Hollow fiber single replacement cartridge  
K-77687 single replacement filter cartridge

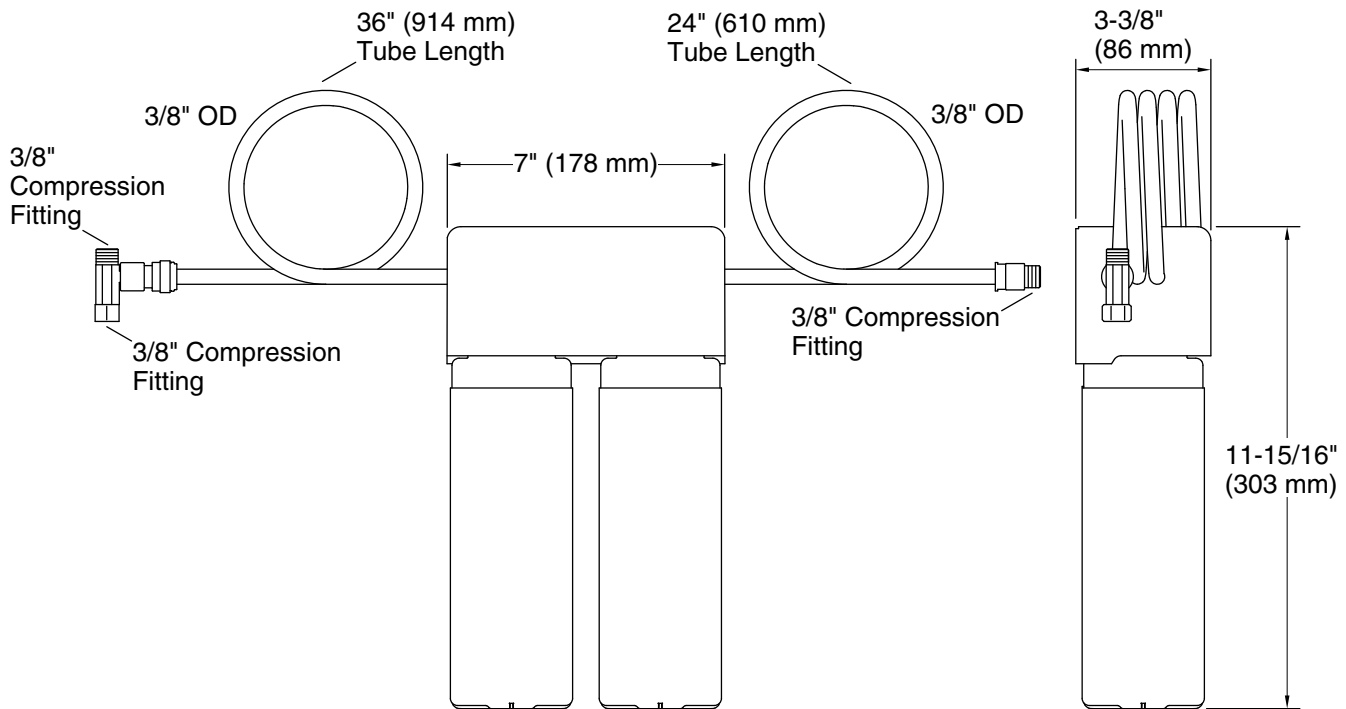


### Codes/Standards

CSA B483.1  
NSF/ANSI 42  
NSF/ANSI 53  
NSF/ANSI 401  
NSF Protocol P231  
NSF Protocol P473

### KOHLER® Water Filter Systems Five-Year Limited Warranty

See website for detailed warranty information.



### Technical Information

All product dimensions are nominal.

Faucet flow rate: 0.85 gal/min (3.2 l/min)

### Spout:

### Pressure/fixture Supply Requirements

Fixture pressure max (static): 120 psi (827.4 kPa)

Fixture pressure min (static): 40 psi (275.8 kPa)

### Notes

Install this product according to the installation instructions.

To prevent the risk of property damage, protect from freezing.

For cold water use only.

To ensure the filter continues to reduce contaminants effectively, it is recommended that the filter gets replaced every 6 months.

Application guideline/water supply parameters:

Water Pressure: 40-120 psi (276-827 kPa)

Water Temperature: 33-100°F (0.5-37.8°C)

Capacity: 389 gal (1,472 L)