

### Features

- Designed to work with showerheads to reduce chlorine and odor in water
- Reduces chlorine and odor, and controls scale
- Reduces skin dryness and irritation and is gentle on your hair
- Attaches to most showerheads and shower arms with a simple threaded connection
- 4.0 gpm (15.1 lpm) maximum flow rate at 60 psi (4.14 bar)
- Filter media lasts up to 8,000 gallons (30,000 liters) or six months
- Recommended filter cartridge replacement every six months
- Intuitive filter replacement indicator
- Simple, elegant design to complement a variety of bathroom styles

### Material

- Solid metal and acrylic construction

### Required Products/Accessories

K-22322 Showerhead replacement filter, two-pack

### Included Components

K-22322 Showerhead replacement filter, two-pack



### Codes/Standards



NSF/ANSI 177

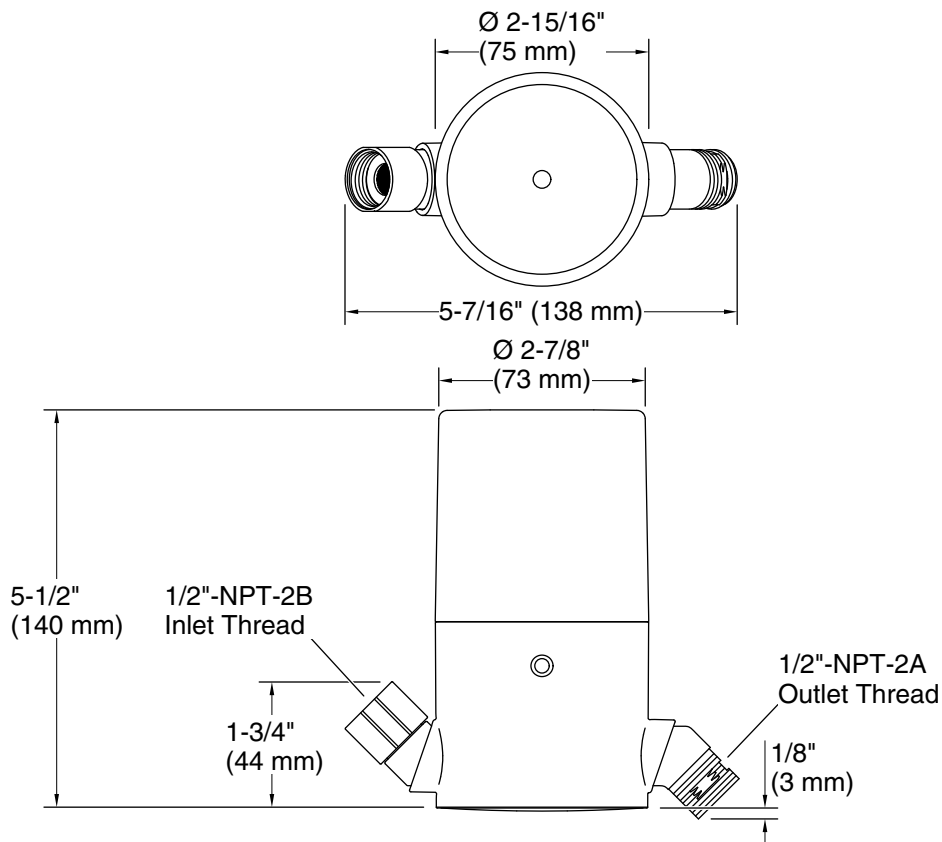
### KOHLER® One-Year Limited Warranty

See website for detailed warranty information.

### Available Colors/Finishes

*Color tiles intended for reference only.*

Color	Code	Description
	CP	Polished Chrome
	BN	Vibrant® Brushed Nickel



### Technical Information

All product dimensions are nominal.

### Spout:

Shower/Rainhead rated max flow: 4 gal/min (15.1 l/min)

### Notes

Install this product according to the installation instructions.

Replace filter cartridge every 6 months.