



Morningside™

Wall-mount Wheelchair Bathroom Sink

K-12636

Features

- Made from premium materials that withstand high-volume usage
- 20" (508 mm) x 27" (686 mm)
- 4" center drilling
- ADA-compliant when installed with K-13885 offset drain

Material

- Vitreous china

Installation

- Wall-mount
- Drilled for concealed arm carrier installation

Recommended Products/Accessories

- K-8998 P-Trap
- K-7131-A Offset Drain
- K-23726 Drain treatment
- K-23725 Cast iron cleaner



ADA

Codes/Standards

ASME A112.19.2/CSA B45.1
ADA
ICC/ANSI A117.1


KOHLER® Vitreous China Bathroom Sink Lifetime Limited Warranty

See website for detailed warranty information.

Available Colors/Finishes

Color tiles intended for reference only.

Color	Code	Description
-------	------	-------------

	0	White
---	---	-------

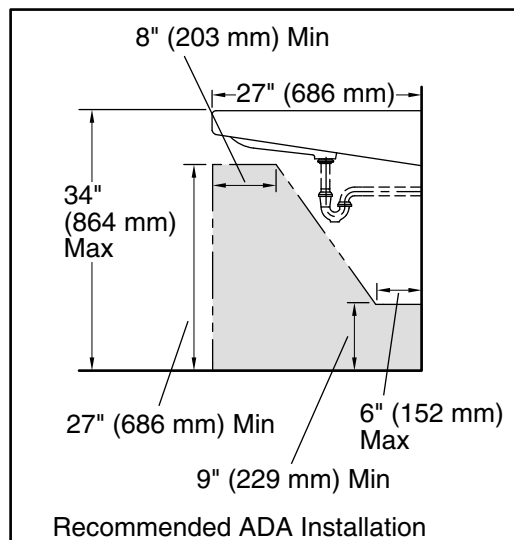
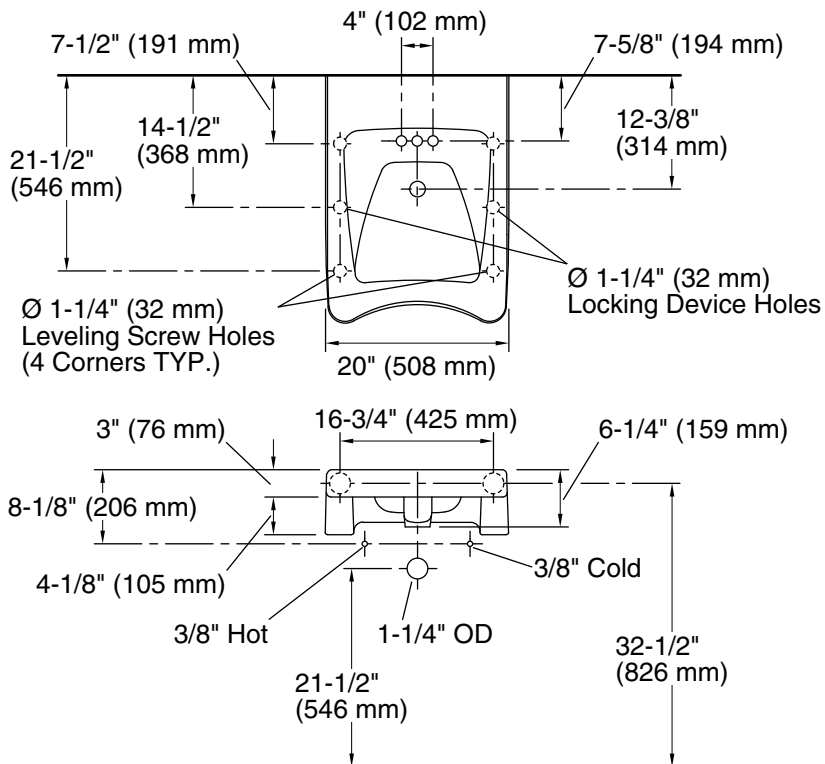
1-800-4KOHLER (1-800-456-4537)

Kohler Co. reserves the right to make revisions without notice to product specifications.

For the most current Specification Sheet, go to www.kohler.com USA or www.kohler.ca Canada

3-13-2025 20:06 - US/CA

THE BOLD LOOK
OF **KOHLER**®



Technical Information

All product dimensions are nominal.

Basin configuration:	Single Bowl
Center(s):	4" (102 mm)
Bowl area (Only):	Length: 14" (356 mm) Width: 13" (330 mm) Water depth: 2-5/8" (67 mm)
With overflow:	Yes
Number of deck holes:	3
Faucet hole(s):	1-1/4" (32 mm)
Drain hole:	1-3/4" (44 mm)

Notes

Install this product according to the installation instructions.

ADA compliant when installed to the specific requirements of these regulations.