

Features

- Kinesis® technology with concealed sensor allows for a clean aesthetic and provides extraordinarily accurate and reliable actuation in varying installation environments
- Below-counter valving reduces the faucet footprint and provides easier service
- 0.35 gpm (1.3 lpm) maximum flow rate with vandal-resistant outlet
- AA battery-powered; up to four-year battery life (approx. 105,000 cycles)
- On-demand usage with 30-second max. continual run cycle to prevent vandalism and save water
- 18" (457 mm) stainless steel braided flexible supply hose for easy installation
- Includes spout assembly, grid drain, control box assembly, supply hose, four AA batteries, and standard mounting hardware

Recommended Products/Accessories

K-23726 Drain treatment

Optional Products/Accessories

K-13478-A 4" escutcheon plate for Insight™ and Kinesis® faucet

K-13478-B 4" escutcheon plate for Insight™ and Kinesis® faucet

K-13479-A 8" escutcheon plate for Insight™ and Kinesis® faucet

K-13479-B 8" escutcheon plate for Insight™ and Kinesis® faucet

K-24154 Mechanical mixing valve

Included Components

K-7129-A Bathroom sink grid drain with overflow



ADA

CSA B651

OBC

Codes/Standards

ASME A112.18.1/CSA B125.1

NSF/ANSI/CAN 61

NSF/ANSI/CAN 372

DOE - Energy Policy Act 1992

California Energy Commission (CEC)

ADA

ICC/ANSI A117.1

CSA B651

OBC

KOHLER® One-Year Limited Warranty

See website for detailed warranty information.

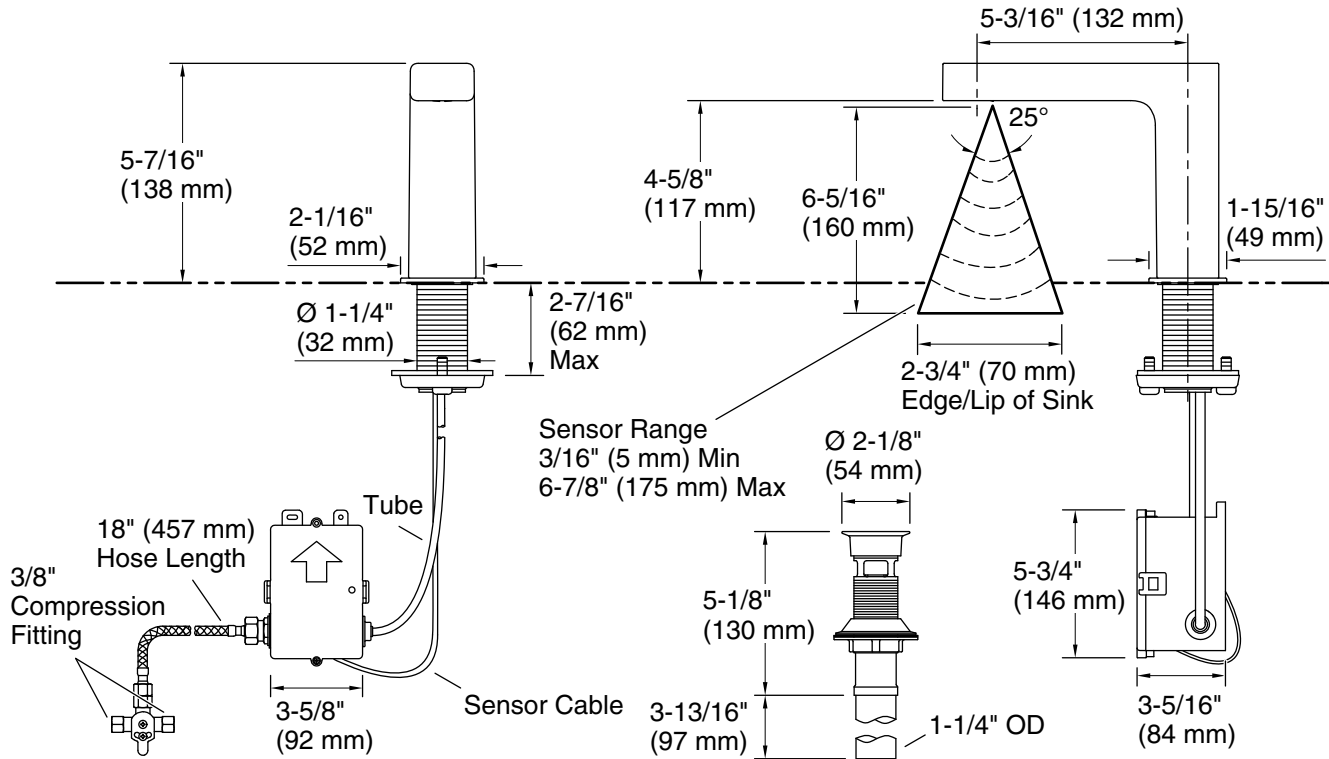
Available Colors/Finishes

Color tiles intended for reference only.

Color Code Description



CP Polished Chrome



Technical Information

All product dimensions are nominal.

- Power source: Battery - DC, included
- Faucet flow rate: 0.35 gal/min (1.3 l/min)
- Drain included: Yes
- Drain with overflow: Yes
- Drain tailpiece included: Yes

Spout:

- Spout reach: 5-1/4" (133 mm)

Pressure/fixture Supply Requirements

- Fixture pressure max (static): 125 psi (861.8 kPa)
- Fixture pressure min (static): 20 psi (137.9 kPa)

Notes

- Install this product according to the installation instructions.
- ADA, OBC, CSA B651 compliant when installed to the specific requirements of these regulations.