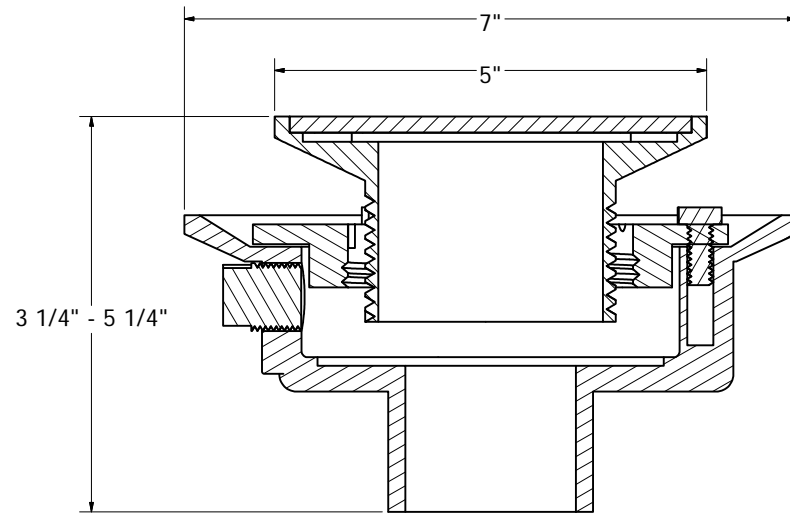
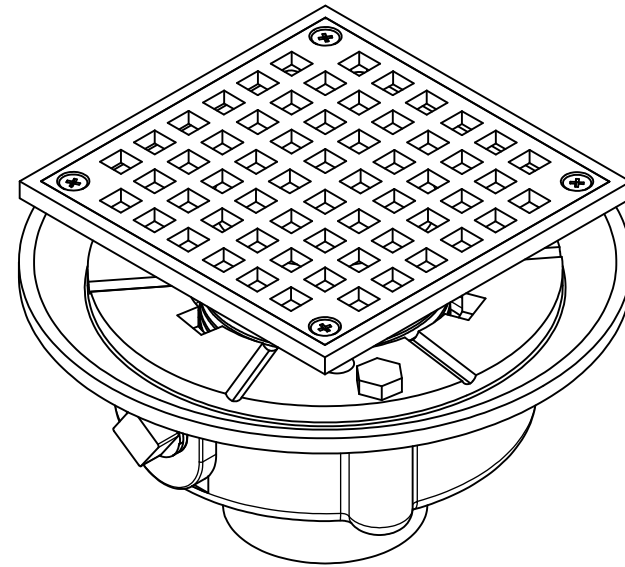
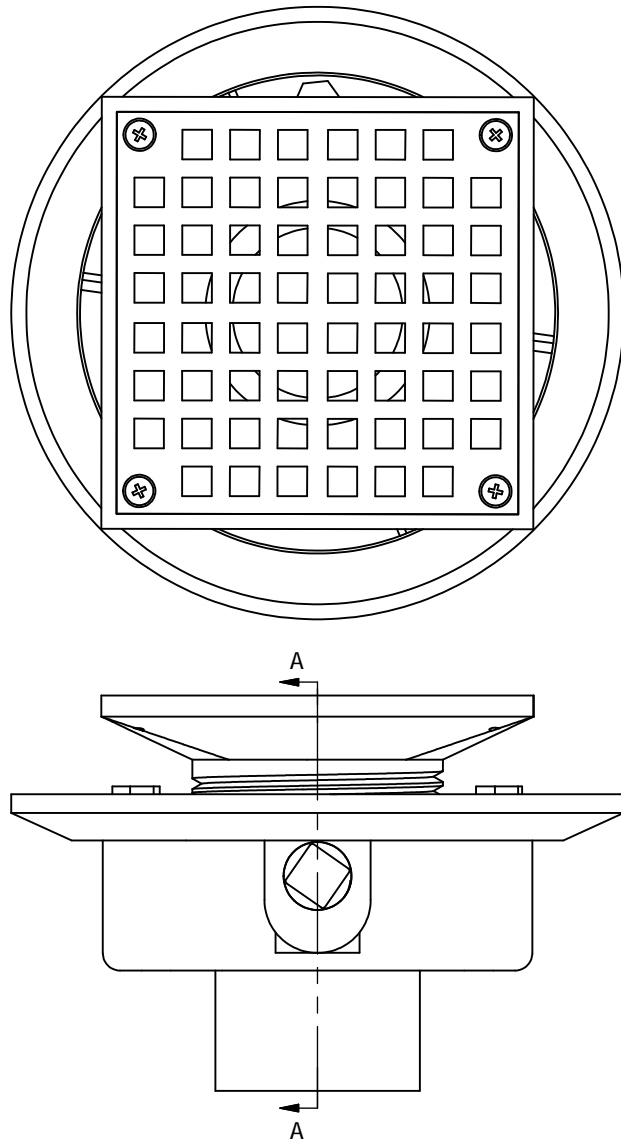


2" "CODE BLUE" NO HUB FLOOR DRAIN 3 1/2" IPS SPUDD WITH 4", 5", OR 6" ROUND STRRAINER



SECTION A-A
SCALE .9



PHONE NUMBER 1-800-355-6637	PART NO.	D65569	D65571			
FAX NUMBER 1-800-462-6991	SIZE	2"	2"			
SCALE .9 : 1	DATE 4-19-11	PAN	7"	7"		
SHEET 1 OF 1	STRAINER	5" NB	52" PB			
DRAWN BY ASHLEY KRALOVEC	HEIGHT	3 1/4" - 5 1/4"	3 1/4" - 5 1/4"			