



# ProLock™

TWIST. LOCK. FIT. EVERY TIME.

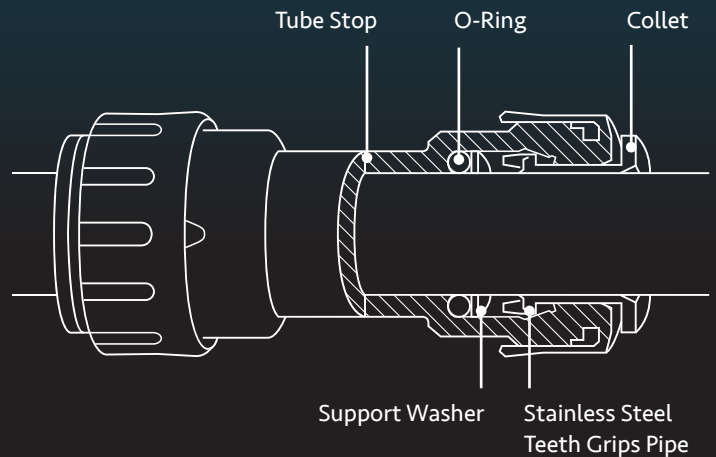
- CODE APPROVED
- 25-YEAR WARRANTY
- FOR USE WITH COPPER, PEX AND CPVC
- APPROVED FOR BEHIND-WALL INSTALLATIONS
- LOCKABLE - AUDIBLE CLICK
- SLIMMER PROFILE
- NEXT GENERATION POLYMER
- EASIER PIPE INSERTION
- INCREASED INSERTION DEPTHS
- COLOR
- UV RESISTANT
- LEAD-FREE
- FULL FLOW



# ProLock™

TWIST. LOCK. FIT. EVERY TIME.

**25 YEAR WARRANTY**  
— AGAINST DEFECTS IN —  
MATERIALS AND MANUFACTURING



ProLock product complies with the applicable sections of the latest edition of the Uniform Plumbing Code® and the International Plumbing Code®, including behind-wall installations. Refer to the applicable code listings for the latest information.



ProLock product is manufactured in compliance with ASTM F877, CSA B137-5, and ASSE 1061.



ProLock product has NSF Standard 61 Certification for Drinking Water System Components and Materials which contact drinking water. Including Annex G where applicable.



John Guest quality system is certified by BSI to BS EN ISO 9001.

**Working pressures and temperatures:**

Application	Max. Pressure	Max. Temperature
Water	160 psi	73° F
Water	100 psi	180° F
Water	80 psi	200° F

**JG John Guest®** | Fitting the Future.

[JGProLock.com](http://JGProLock.com)