

Low-Profile Vent Closure for Kitchen & Bath Venting

Premium 6" Wall Vent

Lasting Beauty



The low-profile aesthetic of the 6" Wall Vent helps keep home exteriors looking beautiful. It is designed to support kitchen and bath systems with six inch diameter duct.

Galvalume® steel that is also powder coated ensures a long duty life, clearly outpacing plastics and light-weight metal hoods.

Model 6WVW

Available in White (shown), Tan, Brown, and Black. Custom RAL Match Colors Available for Large Projects.

Uniform, Sleek Exterior Aesthetics

Model 6WV is designed to accent or blend in to any home's exterior. Its clean, low-profile lines help to enhance exterior beauty. Manufactured to the exacting specifications of the DryerWallVent, it keeps a consistent look for the entire home.

Durability & Performance

The heavy gauge Galvalume and powder coated steel body stands the test of time. Unlike plastics, or lightweight metal, the 6WV Series is engineered to provide long-lasting performance.

Ease of Installation

Choose this vent for a quick, perfect fit in both retrofit and new construction with 6-inch duct exhaust systems.



6WVW Shown



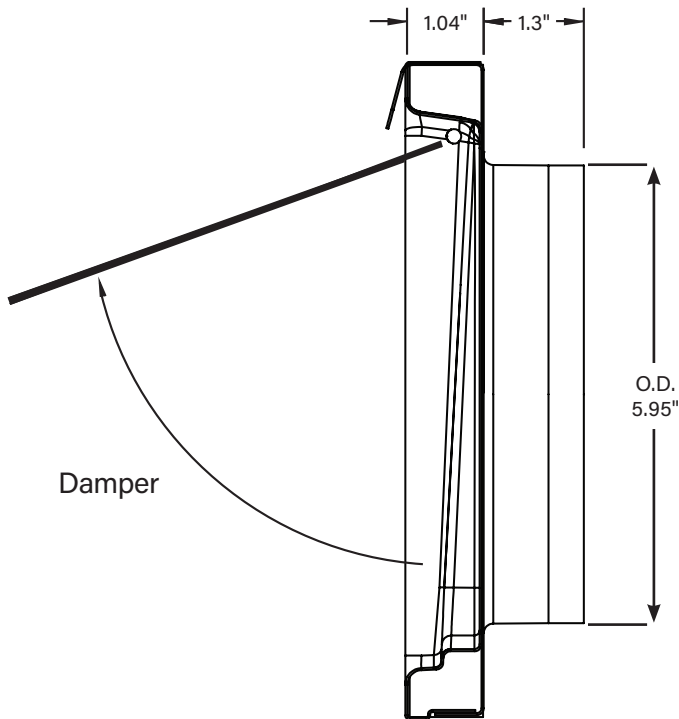
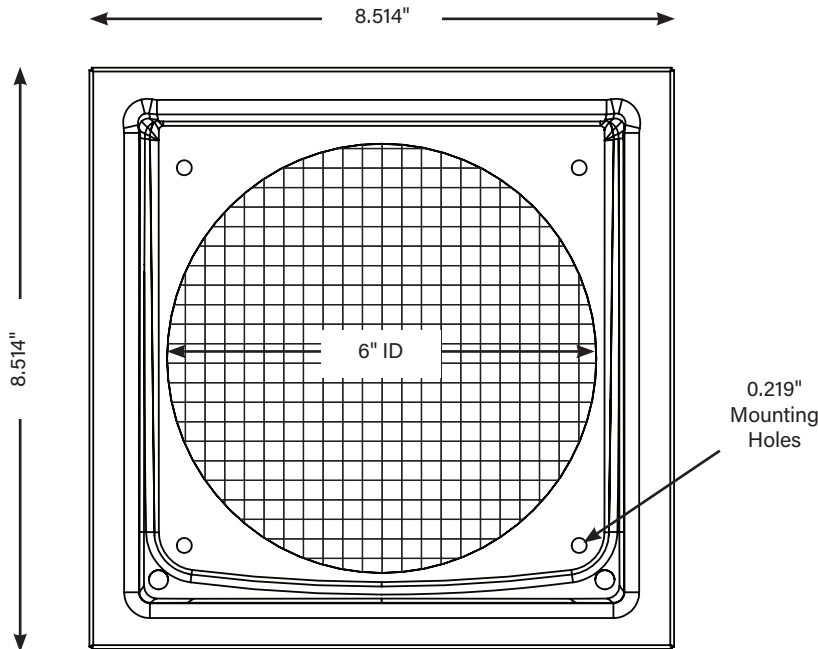
888-443-7937

250 South Central Boulevard • Suite 207 • Jupiter FL 33458-8812 • Fax: 561-745-9723

PremiumWallVent.com

Premium 6" Wall Vent

Technical Product Specifications



| Model Number | Color |
|--------------|-------|
| 6WVW | White |
| 6WVT | Tan |
| 6WVB | Brown |
| 6WVK | Black |

Performance Data

Product Use:

Venting exhaust systems through exterior walls for applications such as kitchen & bath systems.

Note: If used for dryer venting, the screen must be removed to meet standard code requirements.

Materials:

- 26 Gauge Galvalume® Steel Housing
- 30 Gauge Galvalume® Steel Damper
- Polyester TGIC Powder Coating
- Removable Galvanized Wire Screen
- Galvanized Wire Screen Opening 0.25"

General Information

Benefits:

- Improves Aesthetics with Flush Installation
- Installs Easily in New and Existing Construction
- Stands the Test of Time with Durable Materials
- Simplifies Duct Cleaning with Easy Accessibility
- Maximizes Airflow Efficiency
- Maintains a Consistent Look When Used in Concert With the Dryer Wall Vent.

Features:

- Deep Drawn Manufacturing Process
- Galvalume® & Powder Coated Steel Construction
- Lightweight Damper and Heavier Frame
- Recessed Gravity Damper & Integrated Magnets
- Integrated Secondary Back Plate with Wider Mounting Holes
- Built-in Drip Edge
- Damper Opens Freely to 110°
- Low Strength Closure Magnets
- Rubber Bumpers Support Quiet Closing Damper
- Eight Built-in Mounting Holes
- Stocked in 4 Colors: White, Tan, Brown and Black

Manufactured By

InOvate®

250 S. Central Blvd. Suite 207

Jupiter, FL 33458

Phone: (888) 443-7937

Fax: (561) 745-9723

<https://premiumwallvent.com>



Made in the USA