

Balance Indoor Air Quality With Beautiful Outdoor Aesthetics

FreshVent

Let Homes Breathe

Beautiful Exteriors

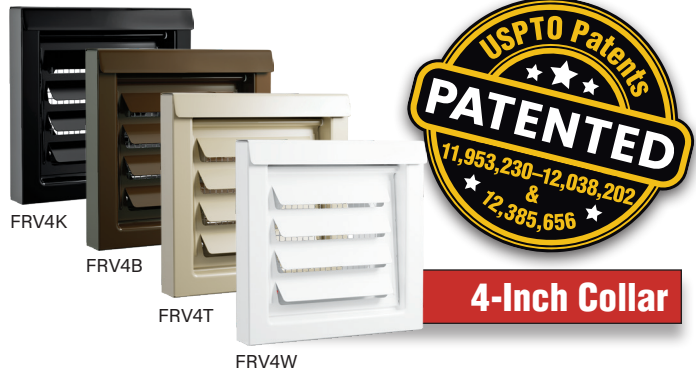
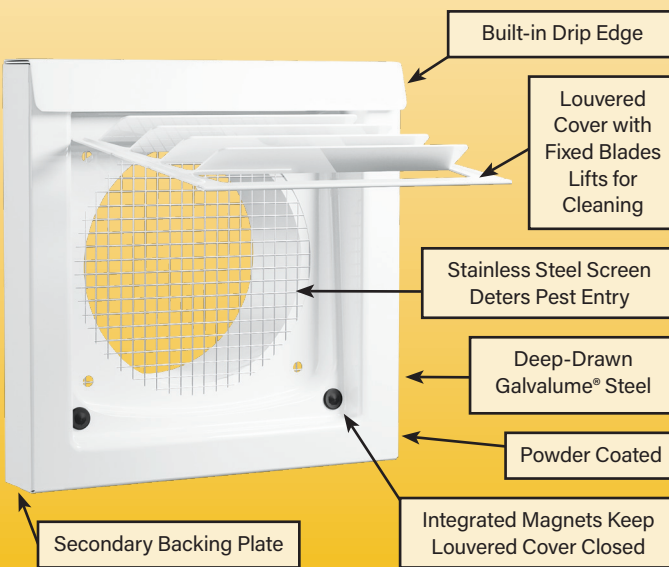
Tighter construction envelopes require new pathways so homes can breathe. Providing smart access points for fresh and make-up air systems is critical. Now, you have a way to meet these new building needs without compromising exterior beauty.

Sleek, Low Profile—Built Tough

Choose the **FreshVent™**—designed and manufactured in the USA—for sleek lines, a low profile, and an elegant appearance to let a home's beauty shine.

Built tough from heavy gauge Galvalume®, the FreshVent's durable powder coating is cured to perfection, producing a polished finish that stands up to the elements.

 **Made in the USA**



Consistent Excellence

Teaming the FreshVent with the InOvate® Premium Wall Vent and the DryerWallVent allows you to keep a consistent ultra-high quality look for every vent termination.



Visit FreshVent.com today to learn more about the InOvate advantage.

*The Dryerbox®
People*

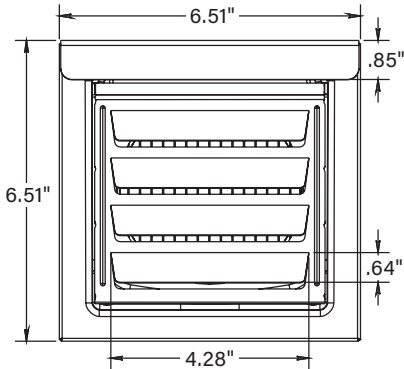
INOVATE®

888-443-7937

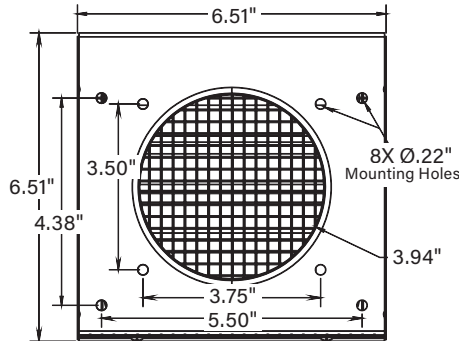
250 South Central Boulevard • Suite 207 • Jupiter FL 33458-8812 • Fax: 561-745-9723

FreshVent.com

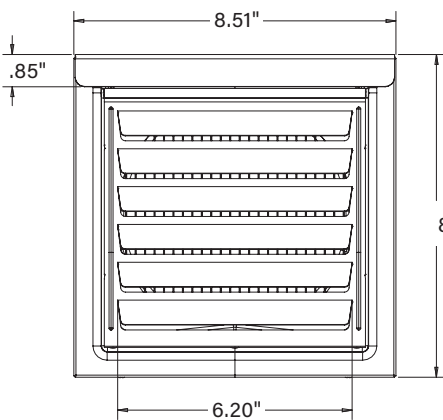
FRV4 Front



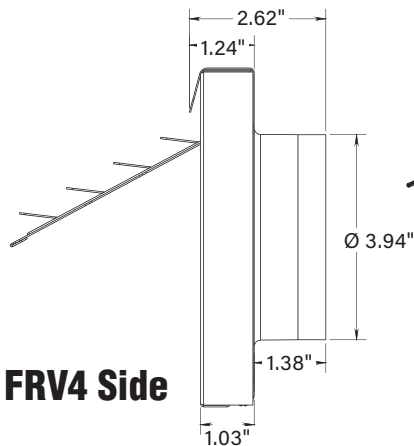
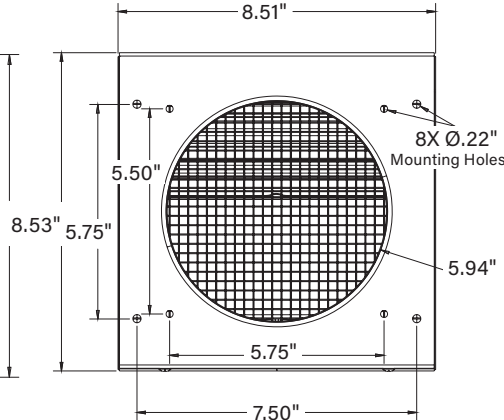
FRV4 Back Plate



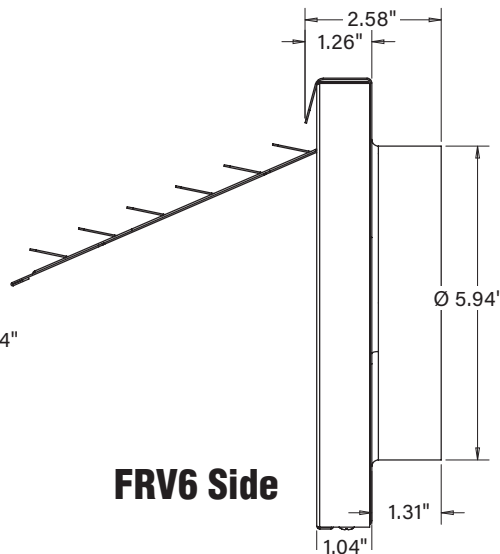
FRV6 Front



FRV6 Back Plate



FRV4 Side



FRV6 Side

Model Number	Color
--------------	-------

Four-Inch Diameter Ducting

FRV4W	White
FRV4T	Tan
FRV4B	Brown
FRV4K	Black

Six-Inch Diameter Ducting

FRV6W	White
FRV6T	Tan
FRV6B	Brown
FRV6K	Black

Performance Data

Product Use:

- Intake Air Vent Cover for Indoor Air Quality
- Alt: Exhaust Vent Cover for Dampened Systems
- Complies w/ 2021 IMC Section 403.3

Materials:

- Heavy Gauge Galvalume® Steel Housing
- Polyester TGIC Weather Resistant Powder Coating

Carton Weight:

FRV4: 12 lbs. (8/carton) / FRV6: 18 lbs. (8/carton)

General Information

Benefits:

- Allows Fresh Air Into the Living Space
- Creates a Clean Consistent Exterior Aesthetic
- Installs Easily for HVAC, ERV & HRV Systems
- Complies with Code Requirements to Allow Fresh Air Into an Airtight, or Tight, Home
- Sleek, Clean Lines Blend In or Stand Out as an Accent

Features:

- Tough, Durable Quality
- Deep-Drawn Manufacturing Process
- Galvalume® & Powder Coated Steel Construction
- Stainless Steel Screen Helps Keep Wildlife Out
- Built-in Drip Edge Helps Prevent Rain Intrusion
- Integrated Secondary Back Plate with Wider Mounting Holes (8 in Total).
- Three High Strength N52 Magnets Keep the Louvered Cover in Place
- Louvered Cover Lifts Up For Ease in Cleaning
- Stocked in 4 Colors: White, Tan, Brown and Black

Manufactured By

InOvate®
 250 S. Central Blvd. Suite 207
 Jupiter, FL 33458
 Phone: (888) 443-7937
 Fax: (561) 745-9723
<https://freshvent.com>

